

GENERATOR

**EN2000
EN2500**

PARTS CATALOGUE

2

FOREWORD INDEX

1

ENGINE GROUP

2

FRAME GROUP

3

PART NUMBER INDEX

4

PART NAME INDEX

5

Instruction for use of parts catalogue

- **This parts catalogue was prepared based on the latest information available as of May 20, 2004.**
- See the parts catalogue news for any revision that is made after May 20, 2004.
- **Always specify the part number when ordering a part.**
- Check the model, type, serial numbers, color, maker, and the size as needed before ordering a part.
- Note that the illustrations (part drawings) can differ from the actual parts in shape. They are given just to help you to refer to the parts.
- **When modifications or additions to this parts catalogue are made, a revised edition will be issued at an appropriate time, with successively progressing revision numbers on the cover. We recommend obtaining such revisions in order to keep your parts catalogue up-to-date at all times. To check whether a parts catalogue revision has been issued, please contact your Honda distributor.**

Initial version issue date **May 20, 2004**
Honda Motor Co., Ltd.

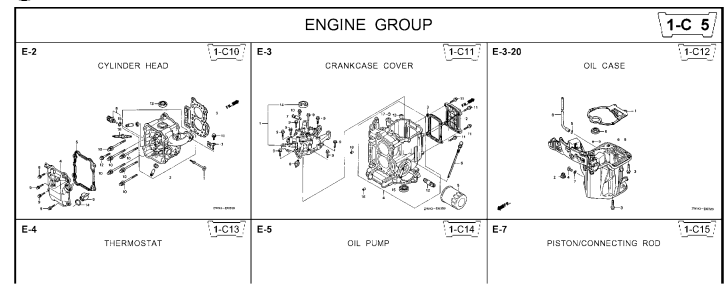
CONTENTS

	Page	Address No.	
● How to refer to the part information	2	B 2	1
● Part catalogue structure	3	B 3	
● When the parts were revised	4	B 4	
● Abbreviations used in the parts catalogue	4	B 4	
● How to check the part block and serial numbers	5	B 5	
● Models, parts catalogue codes and applicable serial numbers	6	B 6	
● Fuel hose, general purpose hoses and vinyl hose	7	B 7	
● Illustrated index	8	B 8	
● ENGINE GROUP	11	C 1	2
● FRAME GROUP	24	D 1	3
● PART NO. INDEX	29	E 1	4
● PART NAME INDEX	31	F 1	5



How to refer to the part information

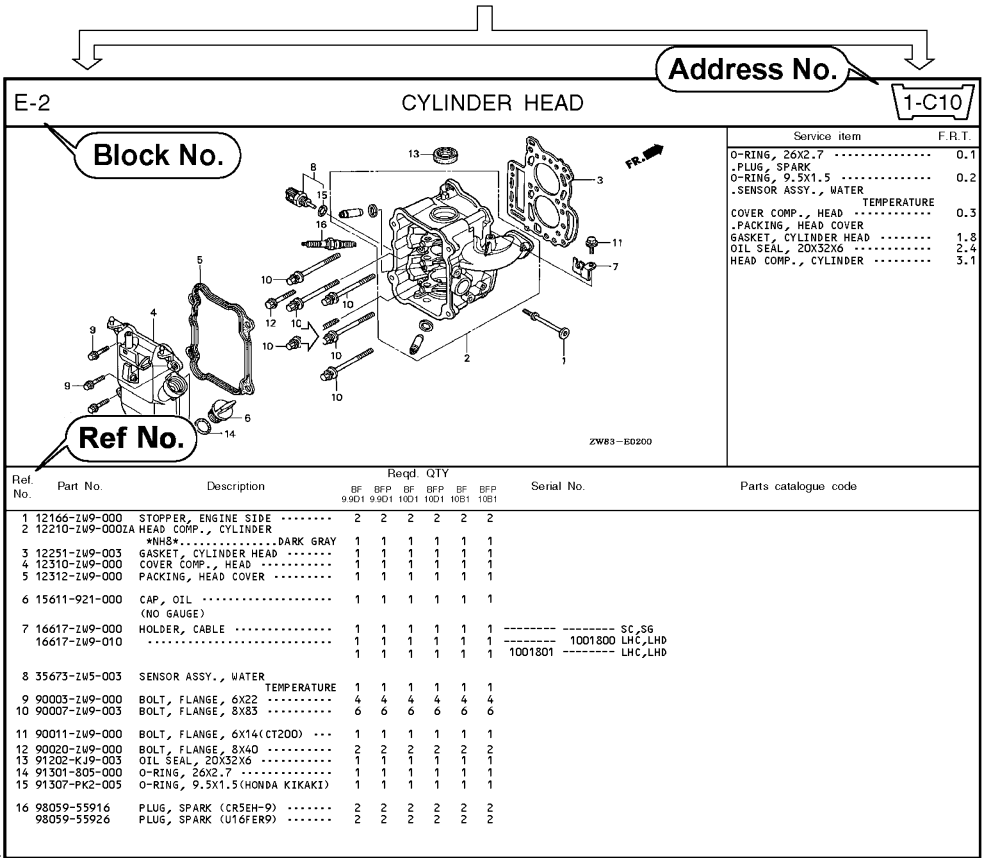
A Reference with "Illustrated index"



B Reference with "Part number index"

PART NO. INDEX

Part Number	Address	Page	Ref.	Part Number	Address	Page
06000				15212-ZW9-000	1-C14	3C
06316-ZW9-000	1-G9	88	1	15220-ZW9-003	1-C14	3C
11000				15332-ZW9-000	1-E8	55
11300-ZW9-405	1-C11	27	1	15332-ZW9-A30	1-E11	5E
11300-ZW9-406	1-C11	27	1	15400-PFB-004	1-C11	27
11340-ZW9-000	1-C11	27	2	15422-ZW9-000	1-C14	3C
11342-ZW9-000	1-C11	27	3	15473-881-000	1-C14	3C
11381-ZW9-003	1-C12	28	1	15474-ZW9-000	1-C14	3C
				15611-921-000	1-C10	2E
				15655-ZW9-000	1-C11	27
				16000		
12000				16010-ZV4-005	1-D4	3E
12000-ZW9-405ZA	1-C11	27	4	16011-ZV4-005	1-D4	3E
12155-ZV4-A00	1-C13	29	1	16013-ZW9-003	1-D4	3E
12166-ZW9-000	1-C10	26	1	16016-ZW9-003	1-D4	3E
12209-GB4-681	1-C16	32	1	16016-ZW9-721	1-D4	3E
12210-ZW9-405ZA	1-C10	26	2	16023-ZW9-003	1-D4	3E
12216-ZE2-300	1-E8	55	1	16024-ZV4-650	1-D4	3E
	1-E11	58	1	16028-ZV4-650	1-D4	3E



C Reference with "Part name index"

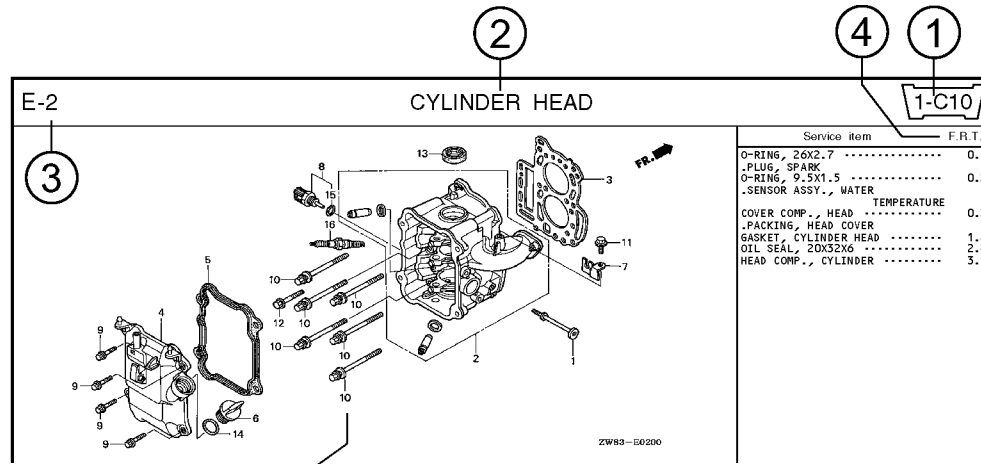
PART NAME INDEX

Part name	Address	Page	Ref.
[A]			
ABSORBER, FUEL	1-E15	62	5
ARMATURE COMP.	1-D11	43	7
ARM COMP., LINK JOINT	1-G6	85	18
ARM COMP., SHIFT LINK	1-G6	85	14
ARM COMP., TILT	1-F15	79	20
ARM, FUEL PUMP ROCKER	1-C16	32	4
ARM, REVERSE LOCK	1-F15	79	18
ARM, SHIFT LINK	1-F11	74	7
ARM, STOPPER	1-D1	33	12
ARM, THROTTLE REMOTE	1-F11	74	6
ARM, VALVE ROCKER	1-C16	32	3
[B]			
BAG, TOOL, 160MM	1-G5	84	10
BAND	1-G6	86	37
BAND B1, WIRE	1-F6	69	1
BAND, CORD	1-F3	67	18
BAND, TUBE CLIP, 11MM	1-E15	63	20
BAND, TUBE CLIP, 12.5MM	1-E15	63	19

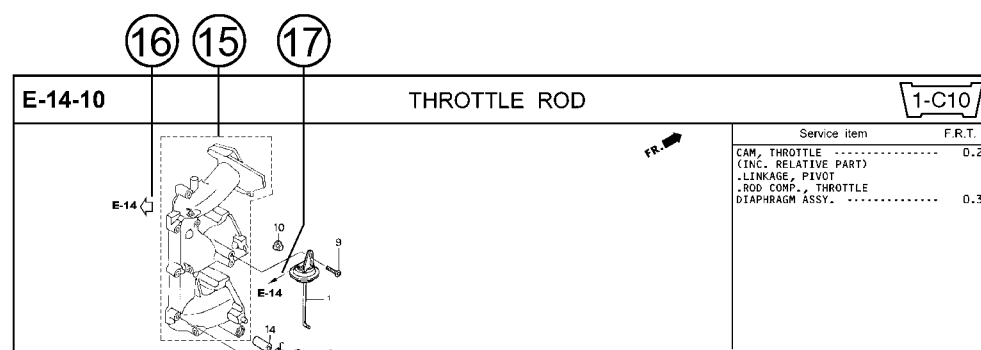
Page No.

2000.09.20 E

Part catalogue structure



Ref. No.	Part No.	Description	Reqd. QTY						Serial No.	Parts catalogue code
			BF 9/9D1	BFP 9/9D1	BF 10D1	BFP 10D1	BF 10B1	BFP 10B1		
1	12166-zw9-000	STOPPER, ENGINE SIDE	2	2	2	2	2	2		
2	12210-zw9-000ZA	HEAD COMP., CYLINDER *NHS*	1	1	1	1	1	1		
3	12251-zw9-003	GASKET, CYLINDER HEAD	1	1	1	1	1	1		
4	12310-zw9-000	COVER COMP., HEAD	1	1	1	1	1	1		
5	12312-zw9-000	PACKING, HEAD COVER	1	1	1	1	1	1		
6	15611-921-000	CAP, OIL (NO GAUGE)	1	1	1	1	1	1		
7	16617-zw9-000	HOLDER, CABLE	1	1	1	1	1	1	SC,S6	
	16617-zw9-010		1	1	1	1	1	1	1001800 LHC,LHD	



- ① **Address number**
 - Address No. is provided (in place of the page No.) to help you refer to the part with the part No. or part name.
- ② **Block title** ③ **Block number**
- ④ **Service item/Flat rate time**
- ⑤ **Reference number**
 - Title number marked with the parenthesis or parentheses indicates that it continues from the previous page.
- ⑥ **Part number** ⑦ **Honda color code**
- ⑧ **Description**
- ⑨ **Assemblies**
 - Sections framed with broken lines in the exploded view drawings are available as complete assemblies. (Their individual parts can also be obtained.)
- ⑩ **Color description**
- ⑪ **Note**
 - Notes are shown with the parentheses in the part name column.
- ⑫ **Required quantity**
 - Required QTY shown in the parenthesis or parentheses indicates the optional part.
 - Required QTY marked with "N" Indicates the optional part that should be selected as needed.
 - Required QTY indicates the number of the part used in the block.
- ⑬ **Serial number**
- ⑭ **Type**
 - When the type column is blank, it indicates that the part is applicable to all types.
 - As the type of the actual unit may differ from the "parts catalogue, type" please refer to "Models, types and applicable serial numbers" for confirmation.
- ⑮ **Parts enclosed in a dotted line**
 - Parts enclosed within a dotted line are covered in a different block.
- ⑯ **Hollow arrow**
 - A hollow arrow indicates the block No. for the parts enclosed within a dotted line.
- ⑰ **Solid arrow**
 - A solid arrow indicates the block No. the part in question is connected to.

When the parts were revised

Abbreviations used in the parts catalogue

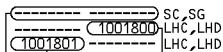
1



Be sure to check the serial number!!



Ref. No.	Part No.	Description	Reqd. QTY						Serial No.
			BF 9.9D1	BFP 9.9D1	BF 10D1	BFP 10D1	BF 10B1	BFP 10B1	
1	12166-ZW9-000	STOPPER, ENGINE SIDE	2	2	2	2	2	2	
2	12210-ZW9-000ZA	HEAD COMP., CYLINDER							
		NH8.....DARK GRAY	1	1	1	1	1	1	
3	12251-ZW9-003	GASKET, CYLINDER HEAD	1	1	1	1	1	1	
4	12310-ZW9-000	COVER COMP., HEAD	1	1	1	1	1	1	
5	12312-ZW9-000	PACKING, HEAD COVER	1	1	1	1	1	1	
6	15611-921-000	CAP, OIL (NO GAUGE)	1	1	1	1	1	1	
7	16617-ZW9-000	HOLDER, CABLE (###)	1	1	1	1	1	1	
	16617-ZW9-010		1	1	1	1	1	1	



The number has been used from the initial model without revision.

When shown at the left side, it is applicable to the models of No.1001801 and the subsequent numbers.

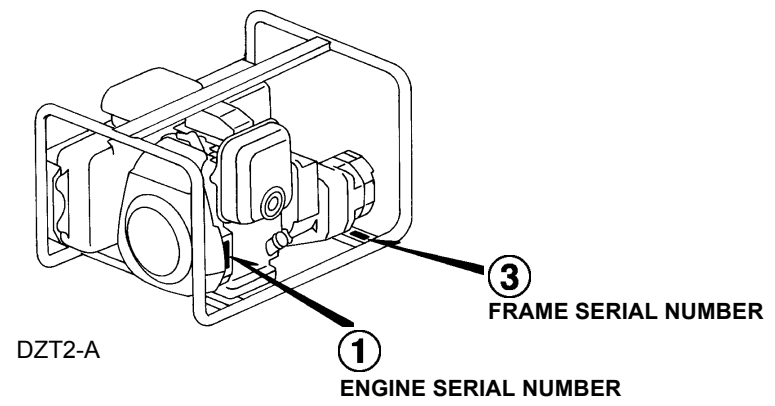
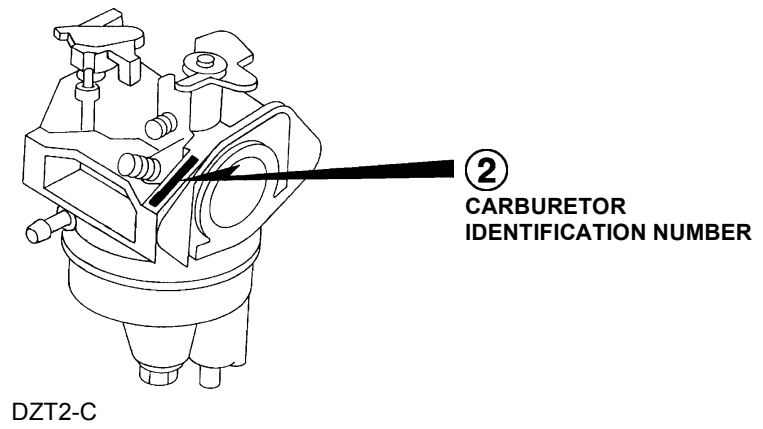
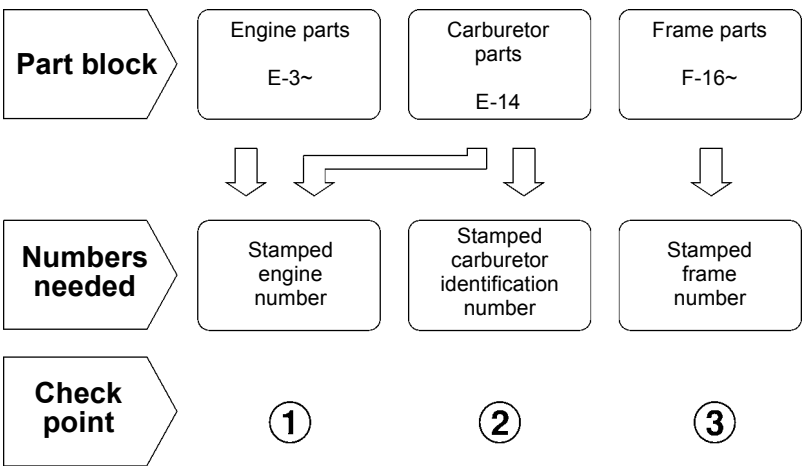
When shown at the right side, it is applicable to the models up to No.1001800.

• The parts listed with "###" at the end of the parts name have limited supply period (parts not for sale).

• The following abbreviations are used in the parts name column.

- | | |
|--|-----------------------------|
| A Ampere | FR.Front |
| A.C. Alternating current | IN.Inlet |
| ASSY. Assembly | L (100L) .Link (100 Links) |
| AT. Automatic transmission | L.Left |
| C.D.I. Capacitive discharge ignition | MMMillimeter |
| COMP. ... Complete | MT.Manual Transmission |
| D.C. Direct current | P.T.O.Power take off |
| EX. Exhaust | R.Right |
| G.F.C.I ... Ground fault circuit interruptor | RR.Rear |
| HEX. Hexagonal | STD.Standard |
| H.S.T. Hydrostatic transmission | T (22T) ...Tooth (22 Teeth) |
| | V Volt |
| | WWatt |

How to check the part block and serial numbers



Models, parts catalogue codes and applicable serial numbers

1

- Models, parts catalogue codes and applicable serial Nos. given in this parts catalogue can be identified as follows.

Model	Type	Parts catalogue type	Engine		Applicable engine serial No.	Applicable frame serial No.	Applicable carburetor identification No.
			Model	Type			
EN2000	A	A	GC160	EY1	GCAH-1000001~9999999	EZFR-1000001~9999999	BB61B B / C
	AL	AL		EY2		EZFR-1000001~1000008	
EN2500	A	A		EY1		EZFS-1000001~1099999	
	AL	AL		EY2			
		AL/A	GC160A			GCAHA-1000001~	EZFS-1100001~

* Of carburetor identification numbers, only the portions underlined in the example below are used for registration.

BB 61B B KC ナ

Fuel hose, general purpose hoses and vinyl hose

- The standard part fuel hose, general purpose hose and vinyl hose may be substituted by the coiled bulk part.
- When ordering the standard part fuel hose, general purpose hose and vinyl hose use the bulk part number written in the parts catalog in brackets () underneath the part name.
- When exchanging the hose, cut and use at the specified length as mentioned in the part name.
(For the method of cutting the bulk part, and method of filling out orders etc., please refer to the instructions issued with the bulk part.)

Bulk part number of fuel hose, general purpose hose and vinyl hose.

Example: 9 5 0 0 1 - 7 5 0 0 1 - 5 0 M

Bulk part number:
Refers to the bulk part.

Marking code (fuel hose and general purpose hose)

Change code (Vinyl hose)

Indicates number mark or change sequence, however, the code for the bulk part must be strictly 0 (zero).

Types of code:

- | | | | | | |
|-------------|--|----------------|--|--------------|---|
| • Fuel hose | 2: Red outside braid
(3 mm inside dia. only) | • General hose | 1: Ash gray
2: Ash gray
3: Black
5: Black | • Vinyl hose | 1: Clear
2: Black
3: Light red
6: Light red
7: Pale black |
| | 5: Black inside braid | | | | |
| | 3: Red (3 mm inside dia. only) | | | | |
| | 4: Ash gray with red stripe
(3 mm inside dia. only) | | | | |
| | 6: Black | | | | |

Lengths:

- 001: 1 m (standard)
003: 3 m
008: 8 m } Application or specification of some parts is not settled.

I.D code: (fuel hose and general purpose hose)

- | | | | | |
|------------|--------------------|--------------------|-----------------------------|-----------------------------|
| 30: 3.0 mm | 50: 5.0 mm | 70: 7.0 mm | 11: 11 mm | 12: 12 (outside dia. 17) mm |
| 35: 3.5 mm | 55: 5.3 mm, 5.5 mm | 75: 7.3 mm, 7.5 mm | 91: 12 (outside dia. 15) mm | 14: 14 mm |
| 45: 4.5 mm | 65: 6.5 mm | 80: 8.0 mm | 92: 12 (outside dia. 16) mm | 17: 17 mm |

ID./OD. code: (vinyl hose)

- | | | | | |
|-------------------------|--------------------------|---------------------------|---------------------------|---------------------------|
| 01: ID. 2.9, OD. 6.8 mm | 12: ID. 5.0, OD. 7.0 mm | 21: ID. 8.0, OD. 9.0 mm | 37: ID. 11.0, OD. 15.0 mm | 50: ID. 16.0, OD. 19.0 mm |
| 03: ID. 3.0, OD. 6.0 mm | 10: ID. 5.0, OD. 8.0 mm | 23: ID. 8.0, OD. 12.0 mm | 38: ID. 12.0, OD. 13.0 mm | 55: ID. 17.5, OD. 20.5 mm |
| 05: ID. 3.5, OD. 6.5 mm | 11: ID. 5.0, OD. 9.0 mm | 25: ID. 9.0, OD. 11.0 mm | 39: ID. 12.0, OD. 14.0 mm | 60: ID. 22.0, OD. 27.0 mm |
| 07: ID. 4.0, OD. 7.0 mm | 14: ID. 6.0, OD. 9.0 mm | 27: ID. 9.0, OD. 13.0 mm | 40: ID. 12.0, OD. 16.0 mm | |
| 08: ID. 4.5, OD. 6.5 mm | 17: ID. 7.0, OD. 9.0 mm | 33: ID. 10.0, OD. 14.0 mm | 43: ID. 13.0, OD. 15.0 mm | |
| 09: ID. 4.5, OD. 8.0 mm | 19: ID. 7.0, OD. 11.0 mm | 36: ID. 11.0, OD. 13.0 mm | 45: ID. 14.0, OD. 18.0 mm | |

Hose type:

- 1: Fuel hose
3: Vinyl hose
5: General hose

⊙ **CAUTION: It is DANGEROUS to confuse the fuel hose with the general purpose hose or vinyl hose.**

Never use a general purpose hose or vinyl hose in place of a fuel hose or vice versa. Always use the correct bulk part in the parts catalogue, according to the service manual or the instructions issued with the bulk part.

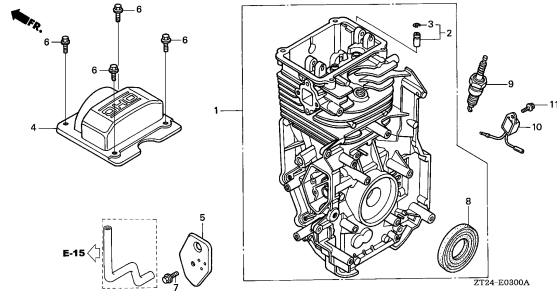
ENGINE GROUP

B 8

E-3

CYLINDER BARREL

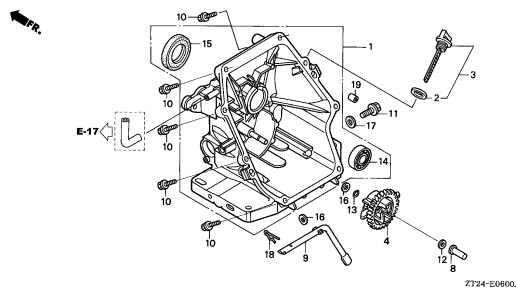
C 1



E-6

CRANKCASE COVER

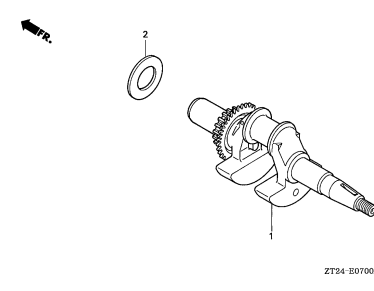
C 2



E-7

CRANKSHAFT

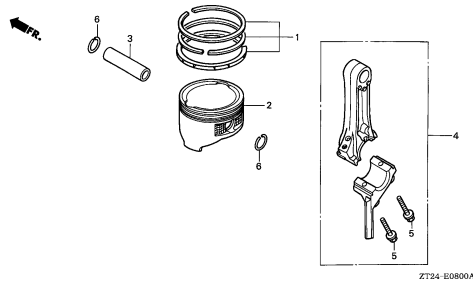
C 3



E-8

PISTON/CONNECTING ROD

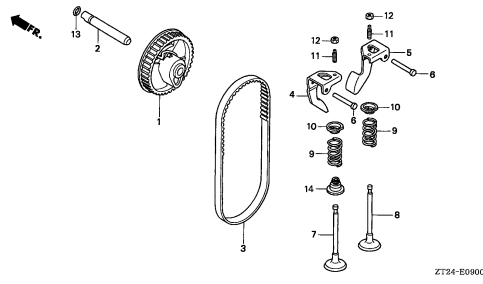
C 4



E-9

CAMSHAFT

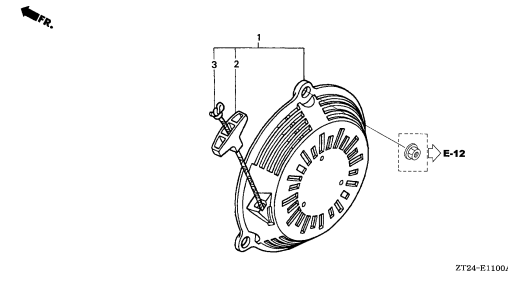
C 5



E-11

RECOIL STARTER

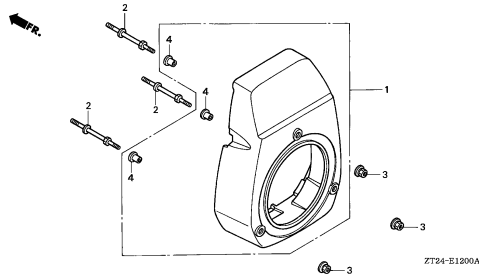
C 6



E-12

FAN COVER

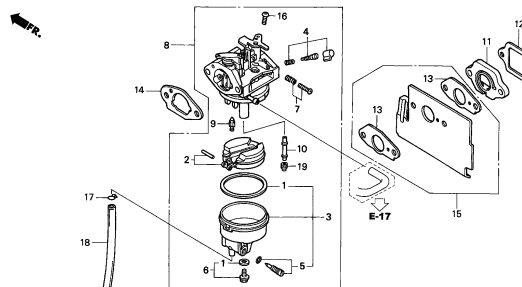
C 7



E-14

CARBURETOR

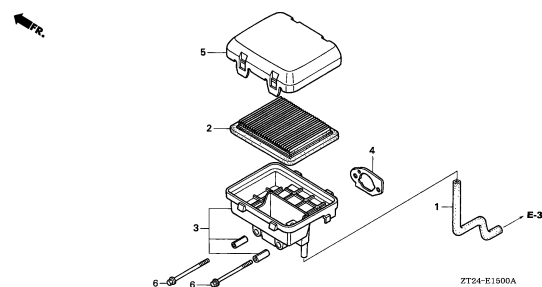
C 8



E-15

AIR CLEANER

C 9



2

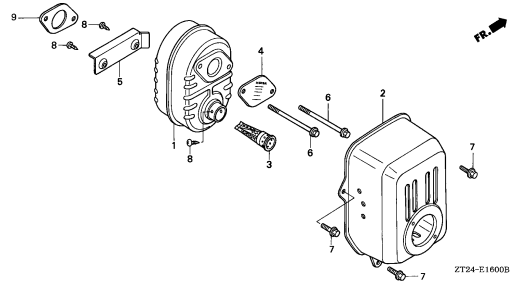
ENGINE GROUP

B 9

E-16

MUFFLER

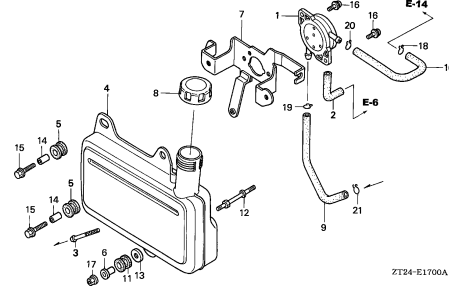
C10



E-17

FUEL TANK

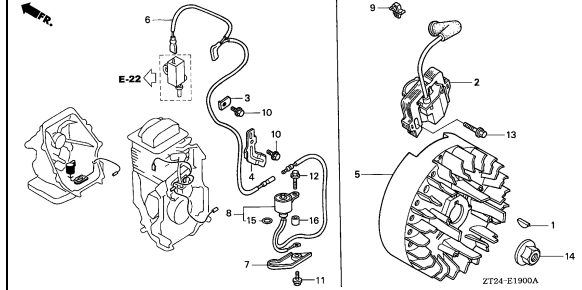
C11



E-19

FLYWHEEL

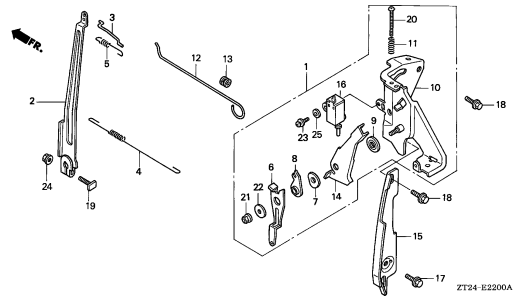
C12



E-22

CONTROL

C13



2

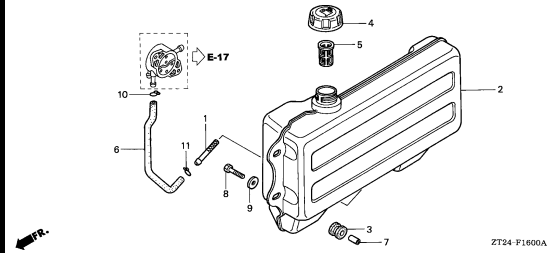
FRAME GROUP

B10

F-16

FUEL TANK

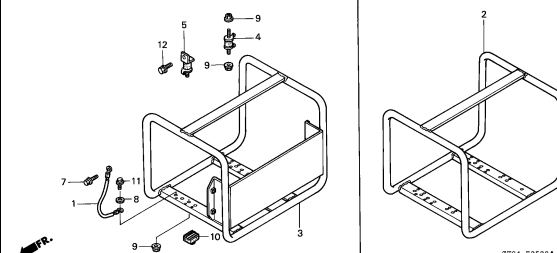
D 1



F-25

FRAME

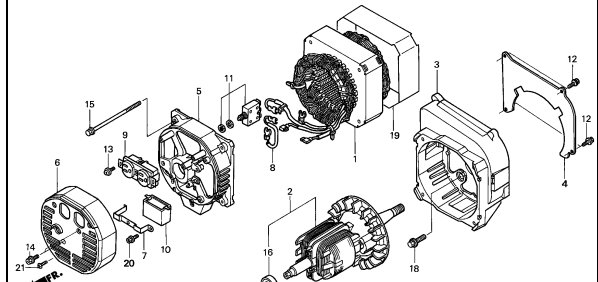
D 2



F-29

GENERATOR

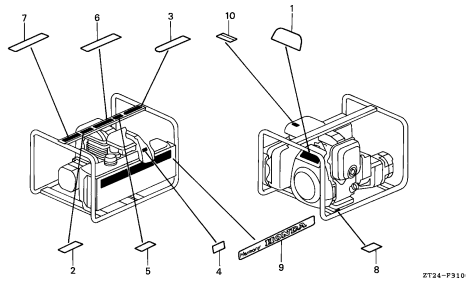
D 3



F-31

LABEL

D 5

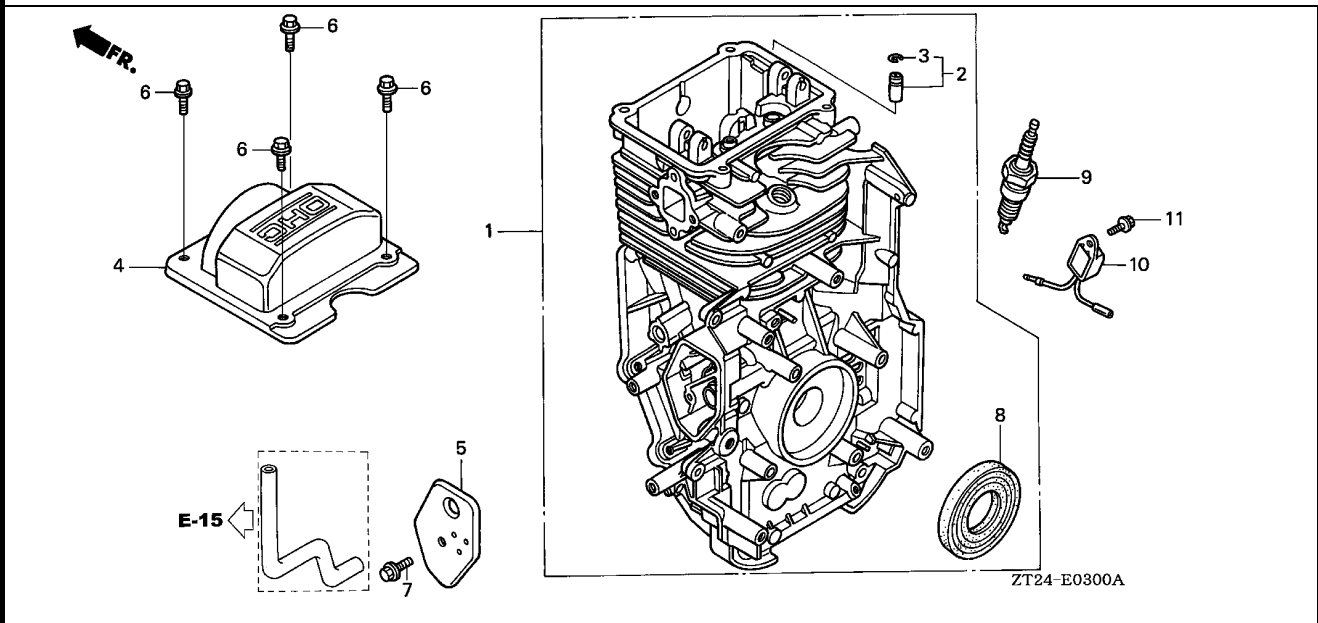


3

E-3

CYLINDER BARREL

C 1



Service item	F.R.T.

Ref. No.	Part No.	Description	Reqd. QTY		Serial No.		Parts catalogue code
			EN 2000	EN 2500			
1	12000-ZL8-000	BARREL ASSY., CYLINDER	1	-	-----	1212616	
	12000-ZL8-415	1	-	1212617	-----	1212616 A,AL
			-	1	-----	-----	AL/A
			-	1	1212617	-----	A,AL
2	12205-ZE1-315	GUIDE, EX. VALVE (O.S.)	1	1			
3	12216-ZE5-300	CLIP, VALVE GUIDE	1	1			
4	12311-ZL8-000	COVER, HEAD	1	-	-----	1468766	
	12311-ZL8-D00	1	-	1468767	-----	1468766 A,AL
			-	1	-----	-----	AL/A
			-	1	1468767	-----	A,AL
5	12355-ZL8-000	COVER COMP., BREATHER	1	1			
6	90013-883-000	BOLT, FLANGE, 6X12(CT200) ...	4	4			
7	90014-952-000	BOLT, FLANGE, 6X14(CT200) ...	1	1			
8	91201-ZL8-003	OIL SEAL, 25.4X62X6	1	1			
9	98079-56846	PLUG, SPARK (BPR6ES)(NGK) ...	1	1			
10	34150-ZH7-003	ALERT UNIT, OIL	1	-	1045125	1760061	
			-	1	1045125	1760061	A,AL
	34150-ZL8-003	1	-	1760062	-----	
			-	1	-----	-----	AL/A
			-	1	1760062	-----	A,AL
11	90013-883-000	BOLT, FLANGE, 6X12(CT200) ...	1	-	1045125		
			-	1	-----	-----	AL/A
			-	1	1045125	-----	A,AL

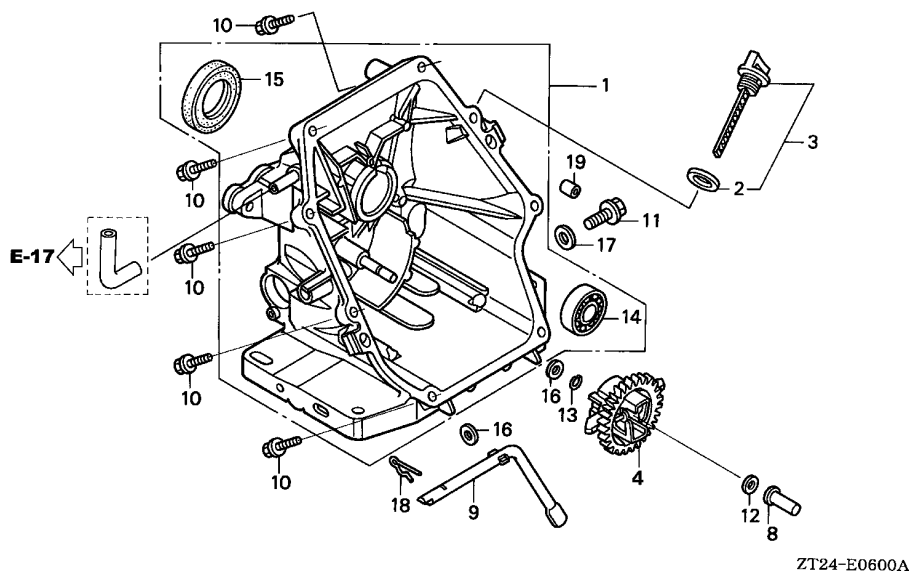
2

E-6

CRANKCASE COVER

C 2

FR.



Service item

F.R.T.

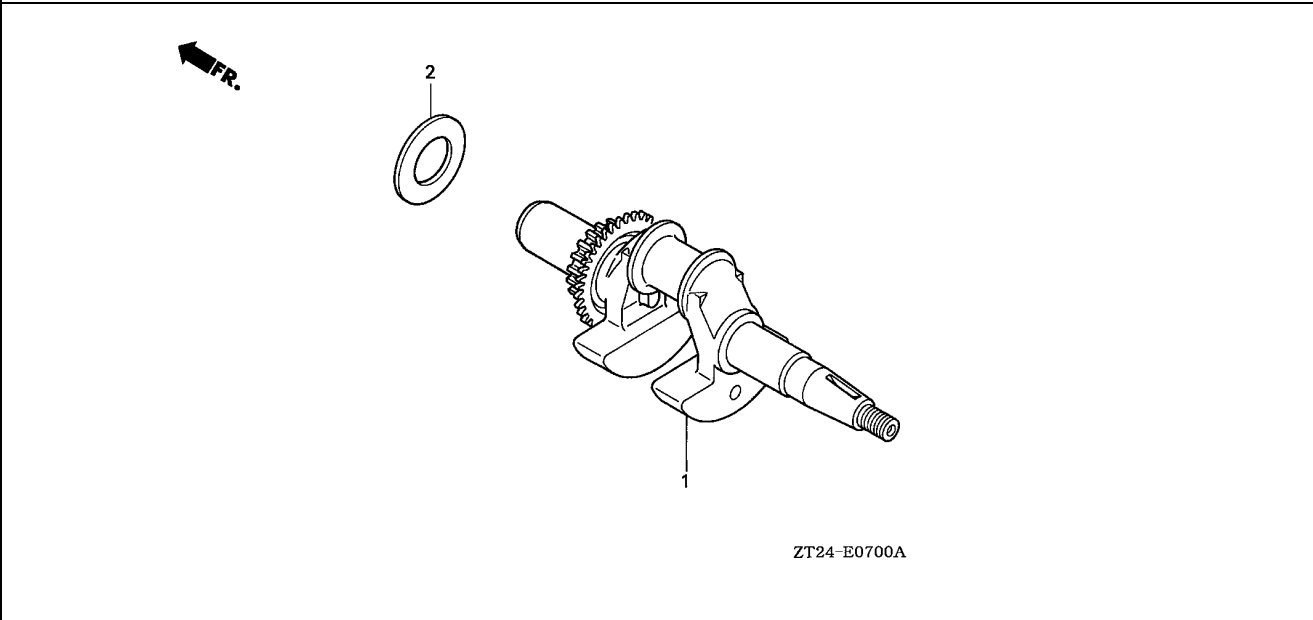
2

Ref. No.	Part No.	Description	Reqd. QTY		Serial No.	Parts catalogue code
			EN 2000	EN 2500		
1	11300-ZL8-406	COVER ASSY., CRANKCASE	1	1		
2	15625-ZE1-003	PACKING, OIL FILLER CAP	1	1		
3	15650-ZL8-003	GAUGE ASSY., OIL LEVEL	1	1	----- 1805025 A	
			1	-	----- AL	
			-	1	----- 1805025 AL	
	15650-ZL8-013	1	1	1805026 ----- A	
			-	1	----- AL/A	
			-	1	1805026 ----- AL	
4	16510-ZL8-000	GOVERNOR ASSY.	1	1		
8	16531-ZE1-000	SLIDER, GOVERNOR	1	1		
9	16541-ZL8-000	SHAFT, GOVERNOR ARM	1	1		
10	90121-952-000	BOLT, FLANGE, 6X25	8	8		
11	90131-883-000	BOLT, DRAIN PLUG, 12X15	2	2		
12	90451-ZE1-000	WASHER, THRUST, 6MM	1	1		
13	90602-ZE1-000	CLIP, GOVERNOR HOLDER	1	1		
14	91001-ZL8-003	BEARING, RADIAL BALL, 62/28	1	1		
15	91202-ZL8-003	OIL SEAL, 28X41.25X6	1	1		
16	94101-06800	WASHER, PLAIN, 6MM	2	2		
17	94109-12000	WASHER, DRAIN PLUG, 12MM	2	2		
18	94251-08000	PIN, LOCK, 8MM	1	1		
19	94301-08200	DOWEL PIN, 8X20	2	2		

E-7

CRANKSHAFT

C 3



Service item	F.R.T.

Ref. No.	Part No.	Description	Reqd. QTY		Serial No.	Parts catalogue code
			EN 2000	EN 2500		

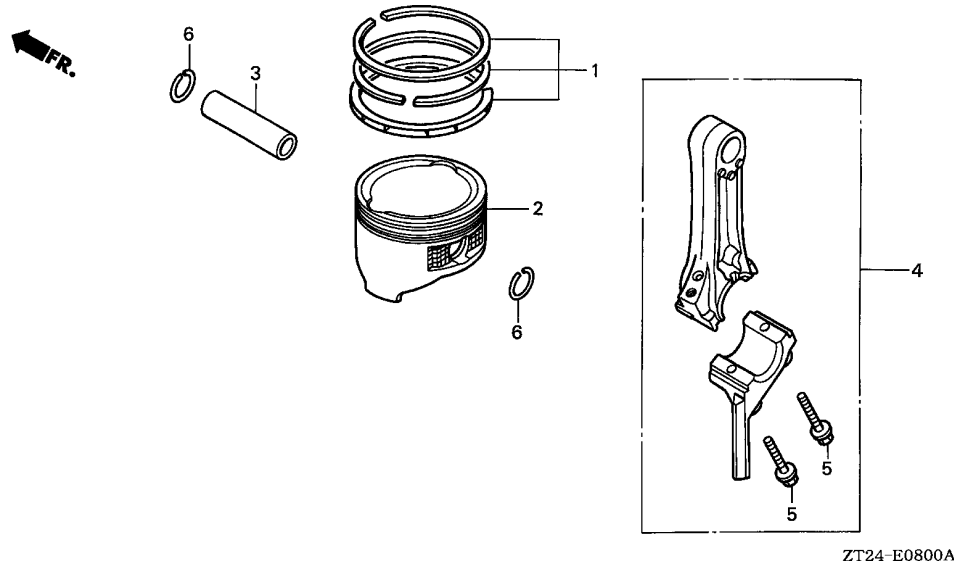
1	13310-ZL8-D00	CRANKSHAFT COMP.	1	1		
2	90402-ZL8-000	WASHER, THRUST	1	1		

2

E-8

PISTON/CONNECTING ROD

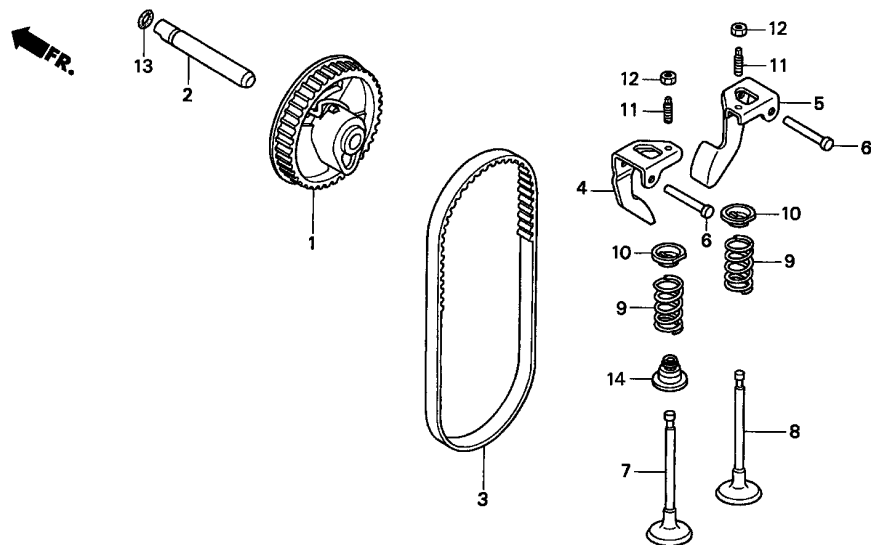
C 4



Service item F.R.T.

Ref. No.	Part No.	Description	Reqd. QTY		Serial No.	Parts catalogue code
			EN 2000	EN 2500		
1	13010-ZL8-003	RING SET, PISTON (RIKEN)	1	1		
	13010-ZL8-004	RING SET, PISTON (TEIKOKU) ..	1	-	----- AL	
	13010-ZL8-024	1	-	----- A	
			-	1		
2	13101-ZL8-000	PISTON	1	1		
3	13111-ZE0-000	PIN, PISTON	1	1		
4	13200-ZL8-000	ROD ASSY., CONNECTING	1	1		
5	90001-ZE1-000	BOLT, CONNECTING ROD	2	2		
6	90551-ZE0-000	CLIP, PISTON PIN, 13MM	2	2		

2



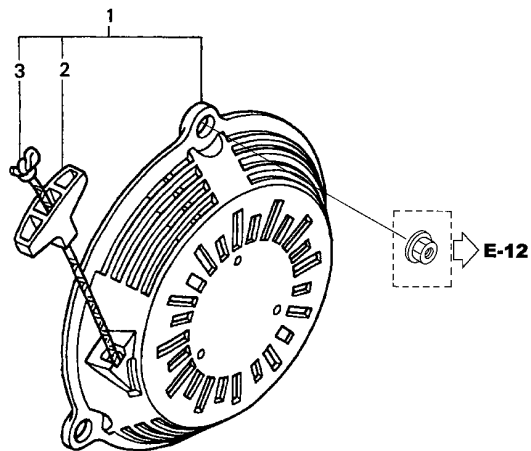
ZT24-E0900B

Service item F.R.T.

Ref. No.	Part No.	Description	Reqd. QTY		Serial No.	Parts catalogue code	
			EN 2000	EN 2500			
1	14320-ZL8-010	PULLEY COMP., CAMSHAFT	1	1			
2	14324-ZL8-000	SHAFT, CAM PULLEY	1	1			
3	14400-ZL8-013	BELT, TIMING (84HU7 G-200) ..	1	-			
	14400-Z0J-014	-	1	-----	A,AL	
4	14431-ZL8-000	ARM, IN. VALVE ROCKER	1	-			
	14431-Z0J-000	-	1	-----	A,AL	
5	14441-ZL8-000	ARM, EX. VALVE ROCKER	1	-			
	14441-Z0J-000	-	1	-----	A,AL	
6	14461-ZL8-000	SHAFT, ROCKER ARM	2	2			
7	14711-ZL8-000	VALVE, IN.	1	-			
	14711-Z0J-000	-	1	-----	A,AL	
	14711-Z0J-000	-	1	-----	AL/A	
8	14721-ZL8-000	VALVE, EX.	1	1			
9	14751-ZL8-000	SPRING, VALVE	2	2			
10	14771-ZE1-000	RETAINER, IN. VALVE SPRING ..	2	-			
	14771-Z0J-000	RETAINER, VALVE SPRING	-	2	-----	A,AL	
	14771-Z0J-000	-	2	-----	AL/A	
11	90012-333-000	SCREW, TAPPET ADJUSTING	2	2			
12	90206-001-000	NUT, TAPPET ADJUSTING	2	2			
13	91301-ZM0-V31	O-RING, 6.8X1.9(ARAI)	1	1			
14	12209-ZM0-003	SEAL, VALVE STEM	1	-	1758847		
			-	1	-----	AL/A	
			-	1	1758847	-----	A,AL



FR.

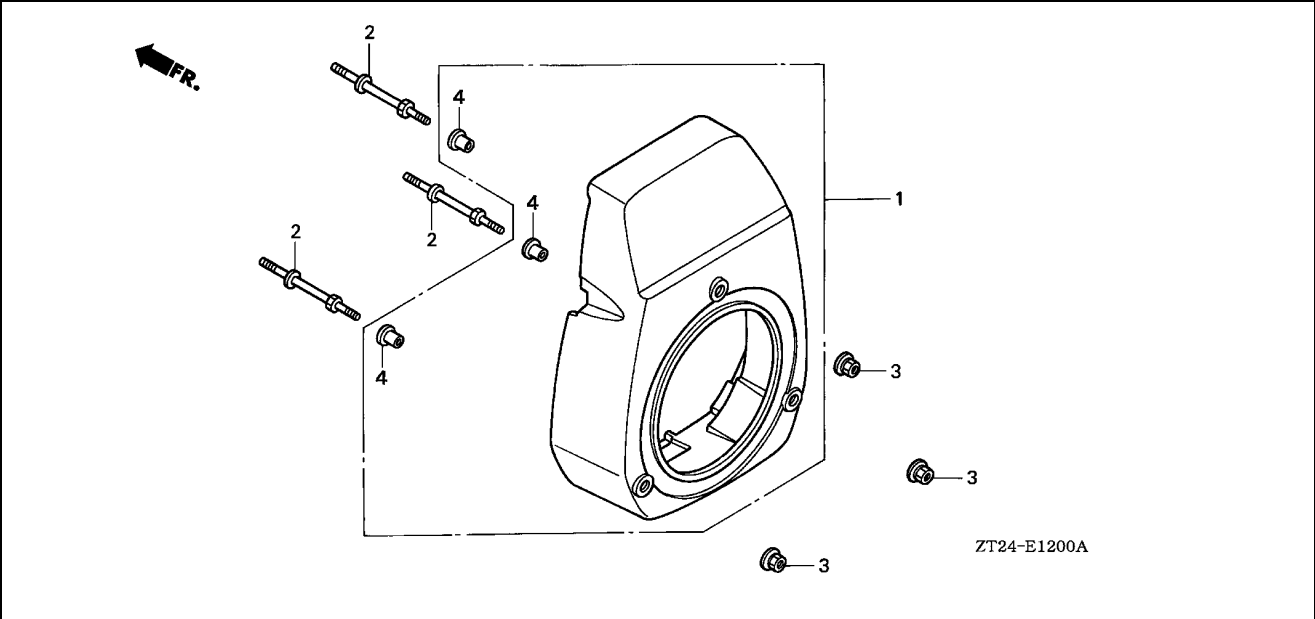


ZT24-E1100A

Service item

F.R.T.

Ref. No.	Part No.	Description	Reqd. QTY		Serial No.	Parts catalogue code
			EN 2000	EN 2500		
1	28400-ZL8-003ZB	STARTER ASSY., RECOIL				
		R8.....BRIGHT RED	1	1	-----	----- A
			1	1	-----	1060719 AL
	28400-ZL8-003ZA	*NH1*.....BLACK	1	1	1060720	1210407 AL
	28400-ZL8-013ZA	*NH1*.....BLACK	1	1	-----	----- A,AL/A
			1	1	1210408	----- AL
2	28461-ZL8-003	GRIP, STARTER	1	1		
3	28462-ZL8-003	ROPE, RECOIL STARTER	1	1		



Service item	F.R.T.

Ref. No.	Part No.	Description	Reqd. QTY		Serial No.	Parts catalogue code
			EN 2000	EN 2500		
1	19611-ZL8-000ZA	COVER, FAN	1	1		
		NH1.....BLACK	1	1		
	19611-ZL8-000ZB	*R8*.....BRIGHT RED	1	1	----- 1804973	A
			1	-	-----	AL
			-	1	----- 1804973	AL
	19611-ZL8-000ZC	*R280*.....POWER RED	1	1	1804974	----- A
			-	1	1804974	----- AL
2	90043-ZL8-000	BOLT, STUD	3	3		
3	90201-ZM0-000	NUT, FLANGE, 6MM	3	3		
4	19619-ZL8-300	COLLAR, FAN COVER	3	3		

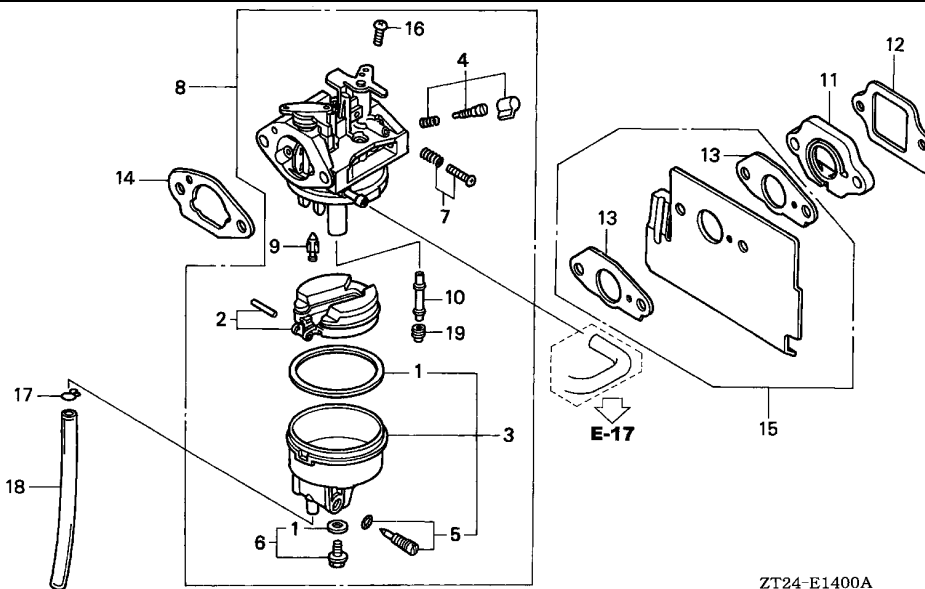


E-14

CARBURETOR

C 8

FR.



ZT24-E1400A

Service item

F.R.T.

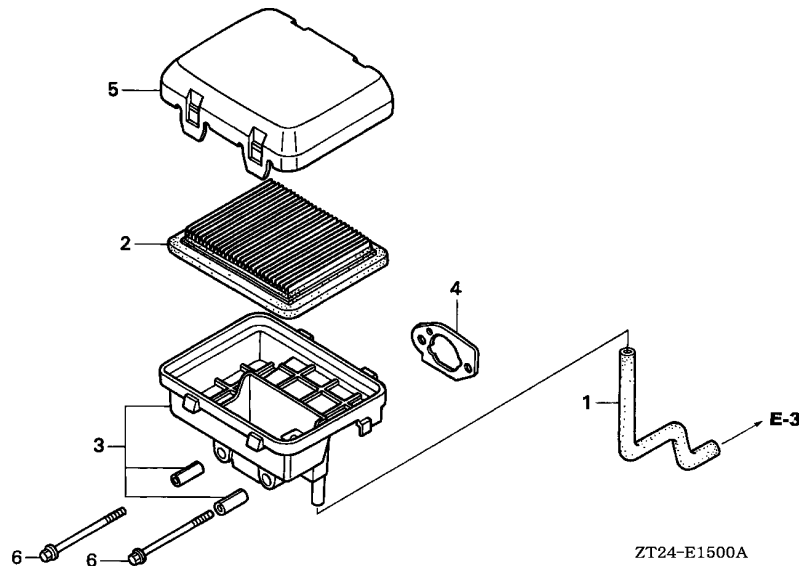
Ref. No.	Part No.	Description	Reqd. QTY		Serial No.	Parts catalogue code
			EN 2000	EN 2500		
1	16010-883-015	PACKING SET	1	1		
2	16013-ZL1-003	FLOAT SET	1	1		
3	16015-ZL8-003	CHAMBER SET, FLOAT	1	1		
4	16016-ZG0-W00	SCREW SET	1	1		
5	16024-124-760	SCREW SET, DRAIN	1	1		
6	16028-ZE0-005	SCREW SET	1	1		
7	16029-ZG0-901	SCREW SET	1	1		
8	16100-ZL8-801	CARBURETOR ASSY. (BB61B B) ..	1	-	----- 1125913	
	16100-ZL8-802	CARBURETOR ASSY. (BB61B C) ..	1	-	----- 1125914	----- 1125913 A,AL
9	16155-ZL8-003	VALVE COMP., FLOAT	1	1	----- 1125914	----- AL/A
10	16166-ZL8-003	NOZZLE, MAIN	1	1		----- A,AL
11	16211-ZL8-000	INSULATOR, CARBURETOR	1	1		
12	16212-ZL8-000	PACKING, INSULATOR	1	1		
13	16221-883-800	PACKING, CARBURETOR	2	2		
14	16228-ZL8-000	PACKING, CARBURETOR	1	1		
15	19650-ZL8-000	GUIDE COMP., AIR	1	1		
16	93500-05006-1H	SCREW, PAN, 5X6	1	1		
17	95002-02650	CLIP, TUBE (B6.5)	1	1		
18	95003-07015-31	TUBE, VINYL, 4X7X150 (95003-07001-60M)	1	1		
19	99101-124-0600	JET, MAIN, #60	(1)	(1)		
	99101-124-0620	JET, MAIN, #62	(1)	(1)		
	99101-124-0650	JET, MAIN, #65	1	1		

E-15

AIR CLEANER

C 9

FR.

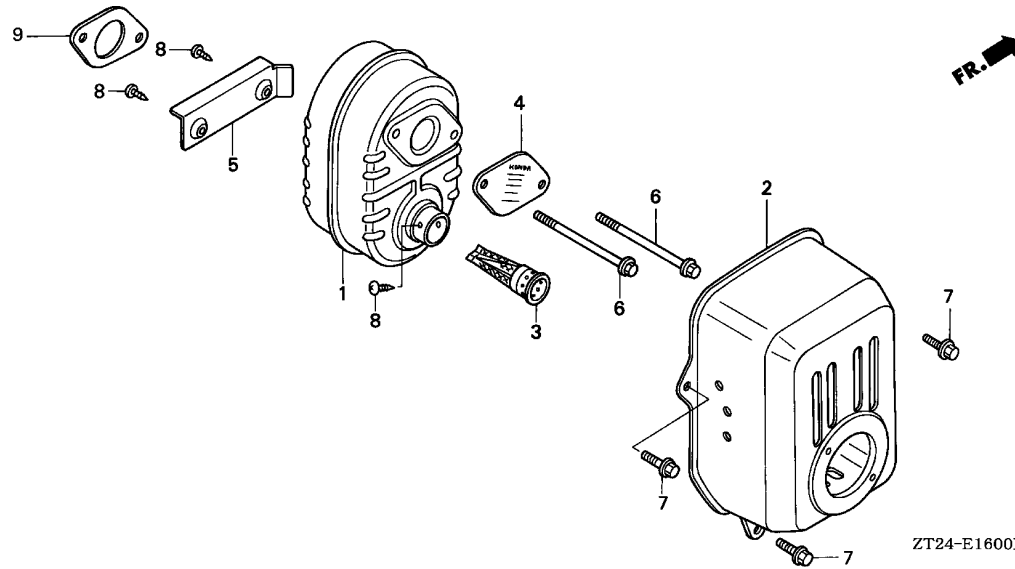


Service item

F.R.T.

Ref. No.	Part No.	Description	Reqd. QTY		Serial No.	Parts catalogue code
			EN 2000	EN 2500		
1	15721-ZL8-000	TUBE, BREATHER	1	1		
2	17211-ZL8-000	ELEMENT, AIR CLEANER	1	-	----- AL	
	17211-ZL8-003	1	-	----- A	
			-	1		
3	17220-ZL8-000	CASE COMP., AIR CLEANER	1	1		
4	17228-ZL8-000	PACKING, AIR CLEANER	1	1		
5	17231-ZL8-010	COVER, AIR CLEANER	1	-		
			-	1	----- A	
	17231-ZL8-020	-	1	----- AL	
	17231-Z0J-020	-	1	----- AL/A	
6	90003-ZL8-000	BOLT, FLANGE, 6X112(CT200) ..	2	2		

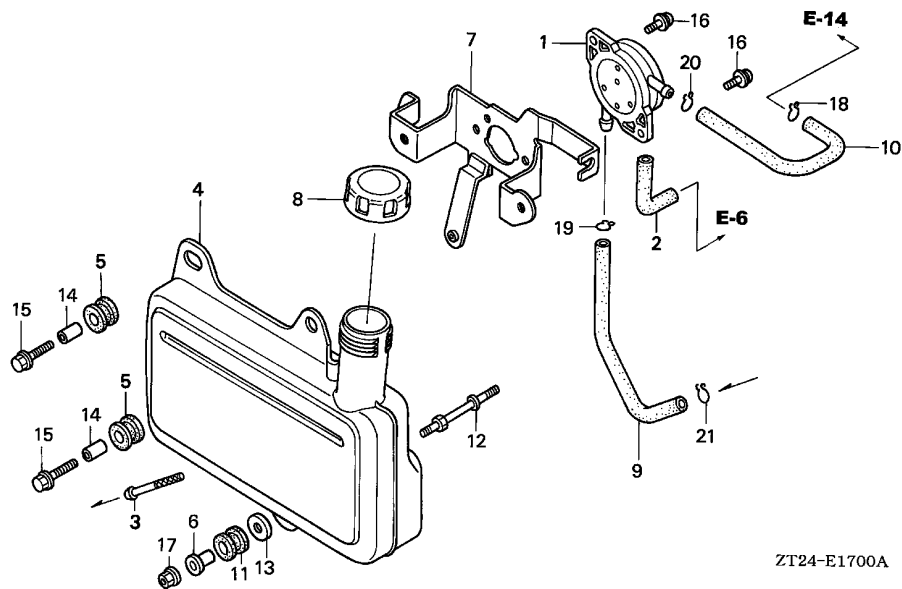
2



Service item	F.R.T.

Ref. No.	Part No.	Description	Reqd. QTY		Serial No.	Parts catalogue code
			EN 2000	EN 2500		
1	18310-ZL8-010	MUFFLER COMP.	1	1		
2	18321-ZL8-000	PROTECTOR, MUFFLER	1	-		
	18321-Z0L-000	-	1	-----	A,AL
3	18350-ZL8-000	ARRESTER COMP., SPARK	1	1	-----	AL/A
4	18356-ZL8-000	PLATE, ARRESTER NUMBER	1	1		
5	19664-ZL8-000	SHROUD, MUFFLER	1	1		
6	90004-ZL8-000	BOLT, FLANGE, 6X79(CT200) ...	2	2		
7	90013-883-000	BOLT, FLANGE, 6X12(CT200) ...	3	3		
8	90055-ZE1-000	SCREW, TAPPING, 4X6	3	3		
9	18381-ZL8-305	GASKET, MUFFLER	(1)	(1)		

FR.



ZT24-E1700A

Service item F.R.T.

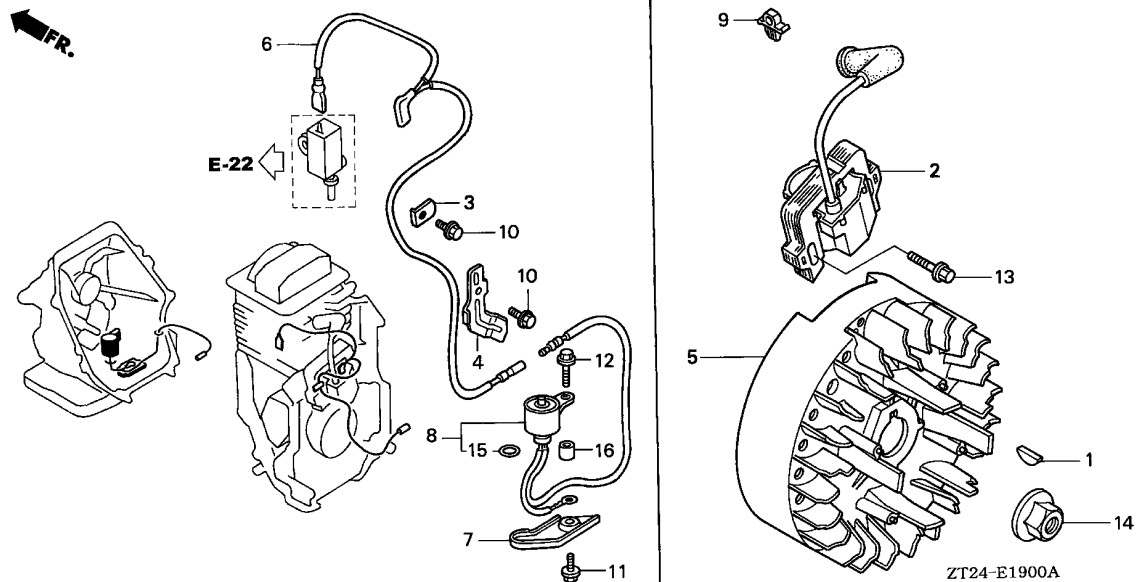
2

Ref. No.	Part No.	Description	Reqd. QTY		Serial No.	Parts catalogue code
			EN 2000	EN 2500		
1	16700-ZL8-003	PUMP ASSY., FUEL	1	1	----- 1825178 A	
			1	-	----- AL	
			-	1	----- 1825178 AL	
	16700-ZL8-013	1	1	----- 1825179 A	
			-	1	----- AL/A	
			-	1	----- 1825179 AL	
2	16882-ZL8-000	TUBE, DIAPHRAGM	1	1	----- A	
3	16952-ZA8-800	STRAINER, FUEL	1	1	----- A	
4	17511-ZL8-000	TANK, FUEL	1	1	----- A	
5	17516-ZV0-000	RUBBER B, TANK MOUNTING	2	2	----- A	
6	17535-166-000	COLLAR, FR. COVER SETTING ...	1	1	----- A	
7	17561-ZL8-000	STAY A, FUEL TANK	1	1	----- A	
8	17620-ZL8-003	CAP ASSY., FUEL TANK	1	1	----- 1709716 A	
	17620-ZL8-013	1	1	----- 1709717 A	
9	17701-ZL8-000	TUBE, FUEL TANK	1	1	----- A	
10	17702-ZL8-000	TUBE, FUEL	1	1	----- A	
11	80103-MG2-000	CUSHION, RR. FENDER	1	1	----- A	
12	90041-ZL8-000	BOLT, FUEL TANK STUD	1	1	----- A	
13	90473-896-000	WASHER, 6MM	1	1	----- A	
14	90501-KA2-640	COLLAR, 14X6.1	2	2	----- A	
15	93404-06025-00	BOLT-WASHER, 6X25	2	2	----- A	
16	93894-05014-00	SCREW-WASHER, 5X14	2	2	----- A	
17	94050-06000	NUT, FLANGE, 6MM	1	1	----- A	
18	95002-02080	CLIP, TUBE (B8)	1	1	----- A	
19	95002-02100	CLIP, TUBE (B10)	1	1	----- A	
20	95002-50000	CLIP, TUBE (C9)	1	1	----- A	
21	95002-70000	CLIP, TUBE (C11)	1	1	----- A	

E-19

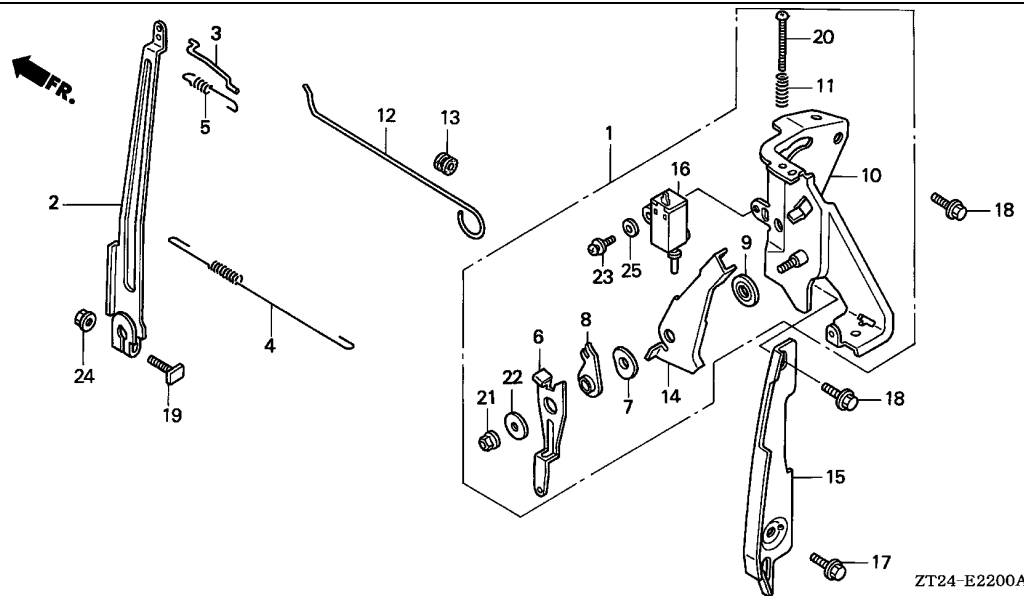
FLYWHEEL

C12



Service item F.R.T.

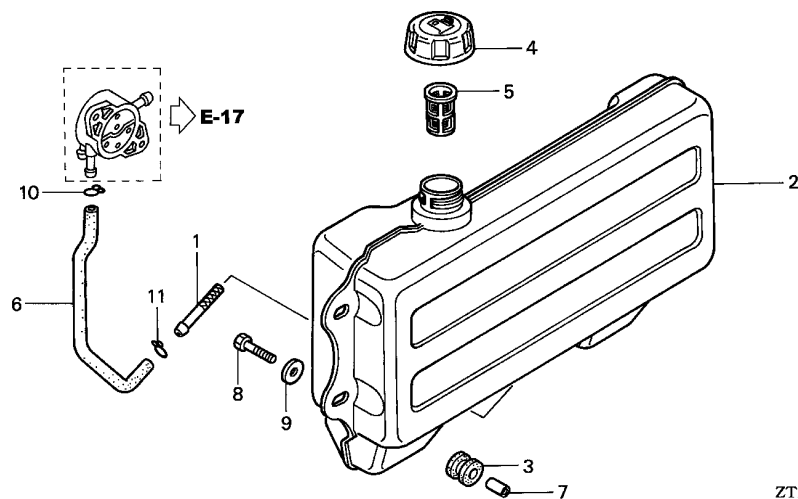
Ref. No.	Part No.	Description	Reqd. QTY		Serial No.	Parts catalogue code
			EN 2000	EN 2500		
1	13331-357-000	KEY, SPECIAL WOODRUFF, 25X18	1	1		
2	30500-ZL8-004	COIL ASSY., IGNITION	1	-		
	30500-Z0J-003	-	1	-----	A,AL
3	30548-ZL8-000	CLAMPER, STOP SWITCH CORD ...	1	1	-----	AL/A
4	30549-ZL8-000	CLAMPER, CORD	1	1		
5	31110-ZL8-004	FLYWHEEL COMP.	1	-		
	31110-Z0J-013	-	1	-----	A,AL
			-	1	-----	AL/A
6	32195-ZL8-810	CORD, STOP SWITCH	1	-		
	32195-Z0J-810	-	1	-----	A,AL
			-	1	-----	AL/A
7	35419-ZL8-000	PROTECTOR, SWITCH	1	1		
8	35480-ZL8-811	SWITCH COMP., OIL LEVEL	1	1		
9	36103-ZE1-000	HOLDER, STOP SWITCH CORD	1	1		
10	90013-883-000	BOLT, FLANGE, 6X12(CT200) ...	2	2		
11	90014-952-000	BOLT, FLANGE, 6X14(CT200) ...	1	1		
12	90015-883-000	BOLT, FLANGE, 6X28	1	1		
13	90022-888-010	BOLT, FLANGE, 6X20(CT200) ...	1	1		
14	90201-878-003	NUT, SPECIAL, 14MM	1	1		
15	91302-ZE9-003	O-RING, 11.8X2.4	1	-		
	91302-ZL8-003	-	1	-----	A
			-	1	-----	AL,AL/A
16	91501-ZL8-000	COLLAR, 6.6X13.8X14.5	1	1		



Service item	F.R.T.
--------------	--------

Ref. No.	Part No.	Description	Reqd. QTY		Serial No.	Parts catalogue code
			EN 2000	EN 2500		
1	16500-ZL8-D00	CONTROL ASSY.	1	1		
2	16551-ZL8-000	ARM, GOVERNOR	1	1		
3	16555-ZL8-000	ROD, GOVERNOR	1	1		
4	16561-ZL8-810	SPRING, GOVERNOR	1	1		
5	16562-ZL8-000	SPRING, THROTTLE RETURN	1	1		
6	16571-ZL8-850	LEVER, CONTROL	1	1		
7	16574-ZE1-000	SPRING, LEVER	1	1		
8	16575-ZL8-000	WASHER, CONTROL LEVER	1	1		
9	16578-ZE1-000	SPACER, CONTROL LEVER	1	1		
10	16580-ZL8-000	BASE COMP., CONTROL	1	1		
11	16584-883-300	SPRING, CONTROL ADJUSTING ...	1	1		
12	16611-ZL8-000	ROD, CHOKE CONTROL	1	1		
13	16613-893-000	GROMMET, CHOKE ROD	1	1		
14	16631-ZL8-850	LEVER, STOP	1	1		
15	19612-ZL8-000	PLATE, SIDE	1	1		
16	35120-ZL8-003	SWITCH ASSY., ENGINE STOP				
		(N.O)	1	1		
17	90013-883-000	BOLT, FLANGE, 6X12(CT200) ...	1	1		
18	90014-952-000	BOLT, FLANGE, 6X14(CT200) ...	2	2		
19	90015-ZE5-010	BOLT, GOVERNOR ARM	1	1		
20	90031-ZL8-D00	SCREW, ADJUSTING	1	1		
21	90114-SAO-000	NUT, SELF-LOCK, 6MM	1	1		
22	90563-355-000	WASHER, WHEEL, 6MM	1	1		
23	93892-04012-00	SCREW-WASHER, 4X12	1	1		
24	94050-06000	NUT, FLANGE, 6MM	1	1		
25	94103-04000	WASHER, PLAIN, 4MM	1	1		

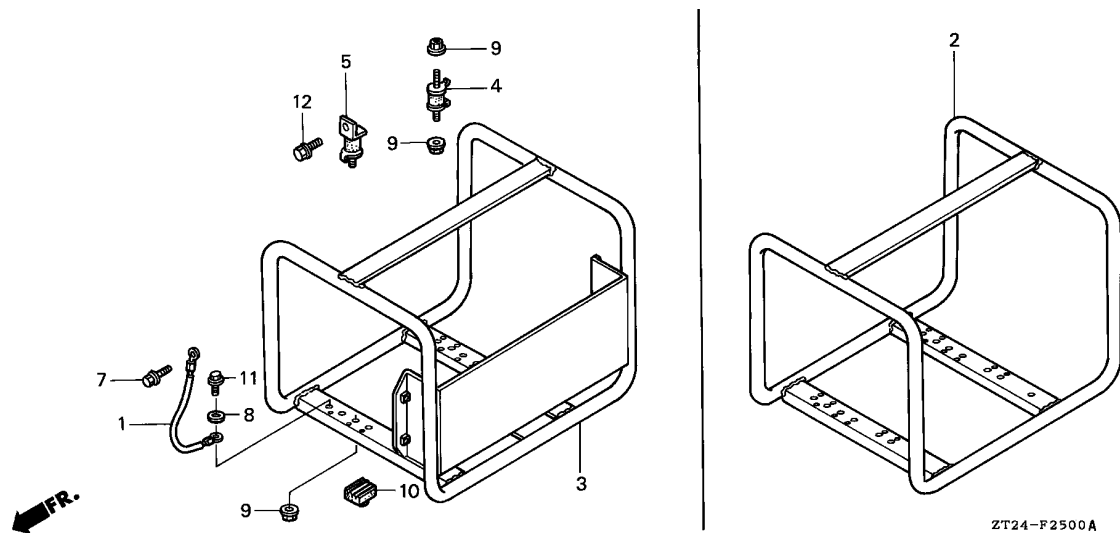




ZT24-F1600A

3

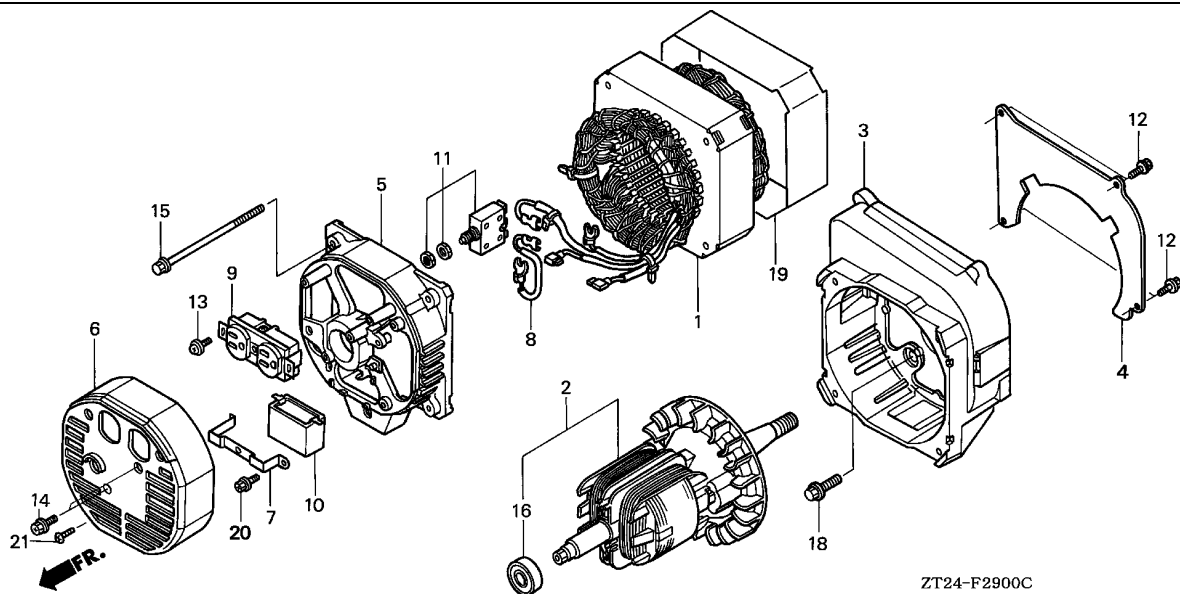
Ref. No.	Part No.	Description	Reqd. QTY		Serial No.	Parts catalogue code
			EN 2000	EN 2500		
1	16952-ZE6-000	STRAINER, FUEL	1	1	-----	AL,AL/A
2	17511-ZT2-J31	TANK, FUEL	1	1	-----	AL,AL/A
3	17516-ZV0-000	RUBBER B, TANK MOUNTING	4	4	-----	AL,AL/A
4	17620-ZL8-003	CAP ASSY., FUEL TANK	1	-	1000008	AL
	17620-ZL8-013	-	1	1039982	AL
			1	-	1000009	AL
			-	1	-----	AL/A
			-	1	1039983	AL
5	17670-ZC3-700	FILTER COMP., FUEL	1	1	-----	AL,AL/A
6	17701-ZT2-J30	TUBE, FUEL TANK	1	1	-----	AL,AL/A
7	90501-KA2-640	COLLAR, 14X6.1	4	4	-----	AL,AL/A
8	92101-06025-0A	BOLT, HEX., 6X25	4	4	-----	AL,AL/A
9	94103-06000	WASHER, PLAIN, 6MM	4	4	-----	AL,AL/A
10	95002-02100	CLIP, TUBE (B10)	1	1	-----	AL,AL/A
11	95002-70000	CLIP, TUBE (C11)	1	1	-----	AL,AL/A



Service item	F.R.T.

Ref. No.	Part No.	Description	Reqd. QTY		Serial No.	Parts catalogue code
			EN 2000	EN 2500		
1	32601-ZT2-003	CABLE, EARTH	1	1		
2	50310-ZT2-G31ZA	FRAME COMP. *NH105*...MAT BLACK (#15-#20)	1	-	-----	----- A
	50310-ZT6-G31ZA	*NH105*...MAT BLACK (#15-#20)	-	1	-----	----- A
3	50310-ZT2-J31ZA	FRAME COMP. *NH105*...MAT BLACK (#15-#20)	1	-	-----	----- AL
	50310-ZT6-J31ZA	*NH105*...MAT BLACK (#15-#20)	-	1	-----	----- AL,AL/A
4	68311-YB3-K80	RUBBER, ENGINE MOUNTING	2	2		
5	68321-ZT2-003	RUBBER, GENERATOR MOUNTING ..	1	1		
7	90031-875-003	SCREW, TAPPING, 5X12	1	1		
8	90432-898-000	WASHER, LOCK, 6MM	1	1		
9	94050-08000	NUT, FLANGE, 8MM	5	5		
10	95011-64000	RUBBER D, STAND STOPPER	2	2	-----	----- AL,AL/A
11	95701-06010-00	BOLT, FLANGE, 6X10	1	1		
12	95701-08020-00	BOLT, FLANGE, 8X20	1	1		

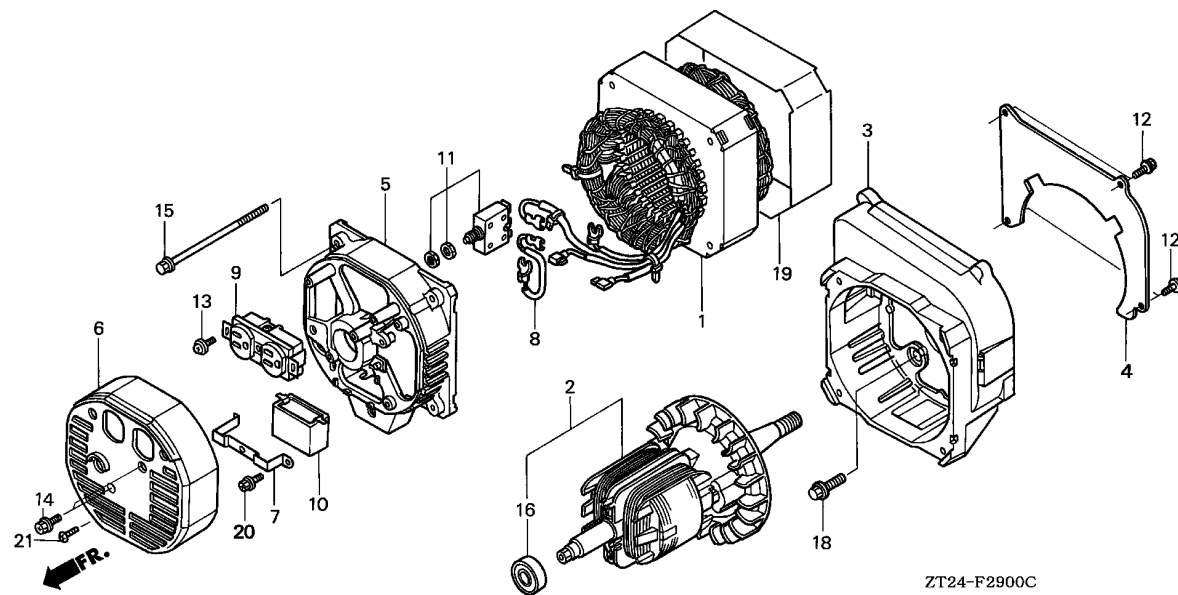




Service item F.R.T.

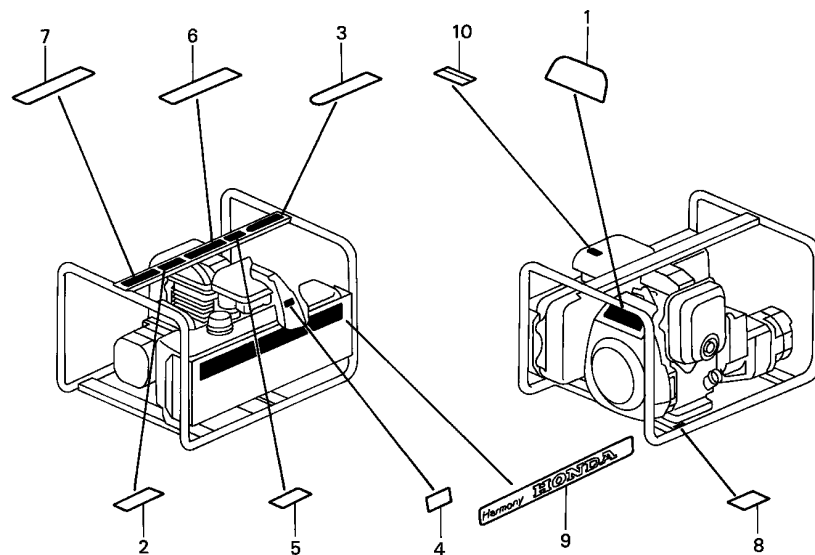
3

Ref. No.	Part No.	Description	Reqd. QTY		Serial No.	Parts catalogue code
			EN 2000	EN 2500		
1	31120-ZT2-003	STATOR ASSY.	1	-		
	31120-ZT6-003	-	1		
2	31130-ZT2-003	ROTOR COMP.	1	-		
	31130-ZT6-003	-	1		
3	31161-ZT2-003	HOUSING, FR.	1	1		
4	31167-ZT2-003	PLATE, HOUSING	1	1		
5	31171-ZT2-003	HOUSING, RR.	1	1		
6	31180-ZT2-003	COVER COMP., GENERATOR END ..	1	1		
7	31427-ZT2-003	HOLDER, CONDENSER	1	1		
8	32221-ZT2-003	CORD, TERMINAL	1	1		
9	32330-ZA1-632	RECEPTACLE (20A/125V) (EAGLE U.S.A.)	-	1	----- 1034982 A,AL	
	32333-880-680	CONSENT (15A/125V)	1	-		
	32330-Z03-C31	CONSENT (20A/125V)	-	1	----- AL/A	
			-	1	1034983 ----- A,AL	
10	32383-ZC0-010	CONDENSER (A)	1	1		
11	38240-ZT2-003	PROTECTOR, CIRCUIT (15A)	1	-		
	38240-ZT6-003	PROTECTOR, CIRCUIT (20A)	-	1		
12	90031-875-003	SCREW, TAPPING, 5X12	4	4		
13	90032-ZB4-811	SCREW, TAPPING, 4X10	2	2		
14	90032-875-003	SCREW, TAPPING, 5X14	2	2		
15	90157-ZT2-003	BOLT, FLANGE, 6X80	4	-		
	90157-ZT6-003	BOLT, FLANGE, 6X90	-	4		
16	91051-ZT2-003	BEARING ASSY. (6202DDUCE) ...	1	1		
18	90102-ZT2-000	BOLT, GENERATOR SETTING	4	4		
19	31127-ZT2-003	COVER, STATOR	1	-		



Ref. No.	Part No.	Description	Reqd. QTY		Serial No.	Parts catalogue code
			EN 2000	EN 2500		
19)	31127-ZT6-003	COVER, STATOR	-	1		
20	90031-898-003	SCREW, TAPPING, 5X10	1	1		
21	90102-899-003	SCREW, PAN, 5X12	1	1		





ZT24-P3100

Service item

F.R.T.

3

Ref. No.	Part No.	Description	Reqd. QTY		Serial No.	Parts catalogue code
			EN 2000	EN 2500		
1	87150-ZT2-G31	PLATE, CAUTION (EN2000)	1	-		
	87150-ZT6-G31	PLATE, CAUTION	-	1	-----	----- A
	87150-ZT6-G32	-	1	-----	1047091 AL
		-	1	-----	----- AL/A
		-	1	1047092	----- AL
2	87168-ZC3-630	LABEL, RAIN WARNING (ENGLISH)	1	1		
3	87522-883-660	MARK, CAUTION (ENGLISH/FRENCH/SPANISH)	1	1		
4	87528-ZL8-000	MARK, CHOKE	1	1		
5	87532-ZH8-810	MARK, OIL ALERT (EXTERNAL) ..	1	-		
		-	1	-----	1001417 A,AL
6	87561-880-600	MARK, CAUTION (ENGLISH/FRENCH/SPANISH)	1	1		
7	87563-ZB4-631	LABEL, CONNECT WARNING (ENGLISH)	1	1		
8	87594-ZB4-A00	MARK, OIL CAUTION	1	1		
9	87101-ZT2-J31	EMBLEM (HARMONY)	1	-	-----	----- AL
		-	1	-----	1050844 AL
		-	1	-----	----- AL/A
		-	1	1050845	----- AL
10	87530-ZL8-850	MARK, OIL ALERT (ENGLISH) ...	1	-		
		-	1	-----	----- AL/A
		-	1	1001418	----- A,AL

PART NO. INDEX

E 2

Part Number	Address	Page	Ref.	Part Number	Address	Page	Ref.	Part Number	Address	Page	Ref.	Part Number	Address	Page	Ref.
93894-05014-00	C11	21	16												
94000															
94050-06000	C11	21	17												
	C13	23	24												
94050-08000	D2	25	9												
94101-06800	C2	12	16												
94103-04000	C13	23	25												
94103-06000	D1	24	9												
94109-12000	C2	12	17												
94251-08000	C2	12	18												
94301-08200	C2	12	19												
95000															
95002-02080	C11	21	18												
95002-02100	C11	21	19												
	D1	24	10												
95002-02650	C8	18	17												
95002-50000	C11	21	20												
95002-70000	C11	21	21												
	D1	24	11												
95003-07015-31	C8	18	18												
95011-64000	D2	25	10												
95701-06010-00	D2	25	11												
95701-08020-00	D2	25	12												
98000															
98079-56846	C1	11	9												
99000															
99101-124-0600	C8	18	19												
99101-124-0620	C8	18	19												
99101-124-0650	C8	18	19												

4

PART NAME INDEX

F 2

Part name	Address	Page	Ref.	Part name	Address	Page	Ref.	Part name	Address	Page	Ref.
PLATE, CAUTION	D5	28	1	STAY A, FUEL TANK	C11	21	7				
PLATE, HOUSING	D3	26	4	STRAINER, FUEL	C11	21	3				
PLATE, SIDE	C13	23	15		D1	24	1				
PLUG, SPARK	C1	11	9	SWITCH ASSY., ENGINE STOP	C13	23	16				
PROTECTOR, CIRCUIT	D3	26	11	SWITCH COMP., OIL LEVEL	C12	22	8				
PROTECTOR, MUFFLER	C10	20	2								
PROTECTOR, SWITCH	C12	22	7	[T]							
PULLEY COMP., CAMSHAFT	C5	15	1	TANK, FUEL	C11	21	4				
PUMP ASSY., FUEL	C11	21	1		D1	24	2				
[R]				TUBE, BREATHER	C9	19	1				
RECEPTACLE	D3	26	9	TUBE, DIAPHRAGM	C11	21	2				
RETAINER, IN. VALVE SPRING ...	C5	15	10	TUBE, FUEL	C11	21	10				
RETAINER, VALVE SPRING	C5	15	10	TUBE, FUEL TANK	C11	21	9				
RING SET, PISTON	C4	14	1		D1	24	6				
ROD ASSY., CONNECTING	C4	14	4	TUBE, VINYL, 4X7X150	C8	18	18				
ROD, CHOKE CONTROL	C13	23	12	[V]							
ROD, GOVERNOR	C13	23	3	VALVE COMP., FLOAT	C8	18	9				
ROPE, RECOIL STARTER	C6	16	3	VALVE, EX.	C5	15	8				
ROTOR COMP.	D3	26	2	VALVE, IN.	C5	15	7				
RUBBER B, TANK MOUNTING	C11	21	5	[W]							
	D1	24	3	WASHER, 6MM	C11	21	13				
RUBBER D, STAND STOPPER	D2	25	10	WASHER, CONTROL LEVER	C13	23	8				
RUBBER, ENGINE MOUNTING	D2	25	4	WASHER, DRAIN PLUG, 12MM	C2	12	17				
RUBBER, GENERATOR MOUNTING ...	D2	25	5	WASHER, LOCK, 6MM	D2	25	8				
[S]				WASHER, PLAIN, 4MM	C13	23	25				
SCREW-WASHER, 4X12	C13	23	23	WASHER, PLAIN, 6MM	C2	12	16				
SCREW-WASHER, 5X14	C11	21	16		D1	24	9				
SCREW SET	C8	18	4	WASHER, THRUST	C3	13	2				
			6	WASHER, THRUST, 6MM	C2	12	12				
SCREW SET, DRAIN	C8	18	5	WASHER, WHEEL, 6MM	C13	23	22				
SCREW, ADJUSTING	C13	23	20								
SCREW, PAN, 5X12	D4	27	21								
SCREW, PAN, 5X6	C8	18	16								
SCREW, TAPPET ADJUSTING	C5	15	11								
SCREW, TAPPING, 4X10	D3	26	13								
SCREW, TAPPING, 4X6	C10	20	8								
SCREW, TAPPING, 5X10	D4	27	20								
SCREW, TAPPING, 5X12	D2	25	7								
	D3	26	12								
SCREW, TAPPING, 5X14	D3	26	14								
SEAL, VALVE STEM	C5	15	14								
SHAFT, CAM PULLEY	C5	15	2								
SHAFT, GOVERNOR ARM	C2	12	9								
SHAFT, ROCKER ARM	C5	15	6								
SHROUD, MUFFLER	C10	20	5								
SLIDER, GOVERNOR	C2	12	8								
SPACER, CONTROL LEVER	C13	23	9								
SPRING, CONTROL ADJUSTING ...	C13	23	11								
SPRING, GOVERNOR	C13	23	4								
SPRING, LEVER	C13	23	7								
SPRING, THROTTLE RETURN	C13	23	5								
SPRING, VALVE	C5	15	9								
STARTER ASSY., RECOIL	C6	16	1								
STATOR ASSY.	D3	26	1								

1

FOREWORD INDEX

2

ENGINE GROUP

3

FRAME GROUP

4

PART NUMBER INDEX

5

PART NAME INDEX

HONDA
The Power of Dreams