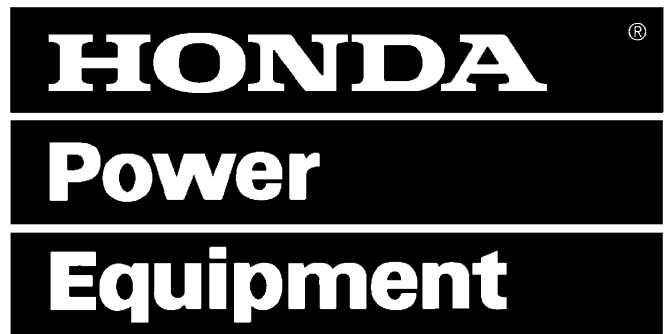


# Generator

**EZ3500 • EZ5000**



## Parts Catalog

**FIRST EDITION**

NOVEMBER, 2002

**American Honda Motor Co., Inc.**

14ZS40E1P (Paper Version)  
14ZS40E1M (Fiche Version)



# TABLE OF CONTENTS

## Introduction

## Grid / Page

- HOW TO USE THIS CATALOG ..... A2 4
- LOCATION OF SERIAL NUMBER ..... A3 6
- SERIAL NUMBERS ..... A3 7
- BULK HOSE PART NUMBER PATTERN..... A4 8
- MASTER INDEX ..... A5 10

## Part Groups

- ENGINE SECTION ..... 1-C1 1-1
- FRAME SECTION..... 1-E1 2-1

## Index

- PART NUMBER INDEX ..... B1 3-1
- DESCRIPTION INDEX ..... 1-F1 4-1

# HOW TO USE THIS CATALOG

## CATALOG PAGE BREAKDOWN (Generic layout-sample data only)

MODEL		TYPE		Engine Serial Number		ORG	QTY	Part Number	H/C
A= MODEL		a= TYPE		From	To				
B= MODEL		b= TYPE							
C= MODEL		c= TYPE							
1	COVER SET, CYLINDER HEAD	A	b	15240057	-----	JPN	1	12310-PE2-020	2031797
	COVER SET, CYLINDER HEAD			-----	12234811	USA	1	12310-PE2-030	2210888

## KEY TO CATALOG PAGE BREAKDOWN

- Ref.** - Reference numbers correspond to the reference numbers on the illustrations. All illustrations are representative only and do not necessarily correspond exactly to the actual part. "NI" signifies the part is not illustrated.

- Description\*** - Describes the part for the related part number.

Abbreviations:

ASSY.	- Assembly	V	- Volt
COMP.	- Complete	W	- Watt
L(100L)	- Link(100Links)	A.C.	- Alternating Current
R.	- Right	D.C.	- Direct Current
L.	- Left	KPH	- Kilometers Per Hour
IN.	- Inlet	MPH	- Miles Per Hour
EX.	- Exhaust	A.M.	- Attaching Mark
FR.	- Front	T.M.	- Transcript Mark
RR.	- Rear	A	- Ampere
HEX.	- Hexagonal	WL	- With Labeling
STD.	- Standard	WOL	- Without Labeling
MM	- Millimeter	T (22T)	- Tooth
G	- Gram	C.D.I.	- Capacitive Discharge Ignition
		G.F.C.I.	- Ground Fault Circuit Interruptor

- Model\*** - Model indicator code is unique per catalog (not consistent with other catalogs).

- Each catalog will be represented with applicable model indicators and models.

- Serial Number** - Applies to Engine or Frame serial numbers depending on the section. The serial numbers of the vehicle (frame, engine, carburetor) should be checked prior to ordering parts for a specific unit. In cases where a part has been modified, the serial number of the vehicle bearing the modification is listed in the 'SERIAL NUMBER' column. The modification parts are controlled by each pertinent serial number below.

**Engine serial number** - Engine group parts (Block numbers beginning with 'E').

**Carburetor identification number** - Carburetor component parts.

**Frame serial number** - Frame group parts (Block numbers beginning with 'F').

A serial number chart and serial number locations are provided.

**Note** - Some models may be controlled by one serial number only.

- Type\*** - Applicable model Type is defined in the serial number chart.

- ORG\*** - Manufacturing origin of the unit.

- QTY** - Quantity required per unit as specified.
  - "AR" in place of the quantity indicates AS REQUIRED.
  - (" )" Parentheses in the quantity required indicate "optional".

- Part Number** - Part number corresponds to the reference number and application. Several part numbers may be listed under one (1) reference number. For your convenience the current supersede chain, as of print date, has been listed. Supersede chains are subject to change without notice.

- H/C** - The Honda Code and Part Number share a 1 to 1 relationship.

## MAKE-UP OF PART NUMBERS

All parts are classified into two groups consisting of "GENERAL PARTS" and "STANDARD PARTS". All parts are numbered in accordance with the system described below:

### General Parts

Example: Driver Seat Assembly Part No.	77400-634-671ZA
Function No.	77
Component No.	400
Model Code No.	-634-
Modification Process Design	671
Color Code**	ZA

**Additional Information** - The section index located at the bottom of each microfiche grid lists section titles. The Engine and Frame sections have separate section indexes.

\*When columns become full, additional data is displayed on a second line.

\*\*The color code at the end of a part number indicates a color. Color codes such as ZA, ZB, ZC . . . , except ZZ, do not indicate the actual color. Actual colors are represented in code, between asterisks in the part description.

### Note:

#### Additional Information

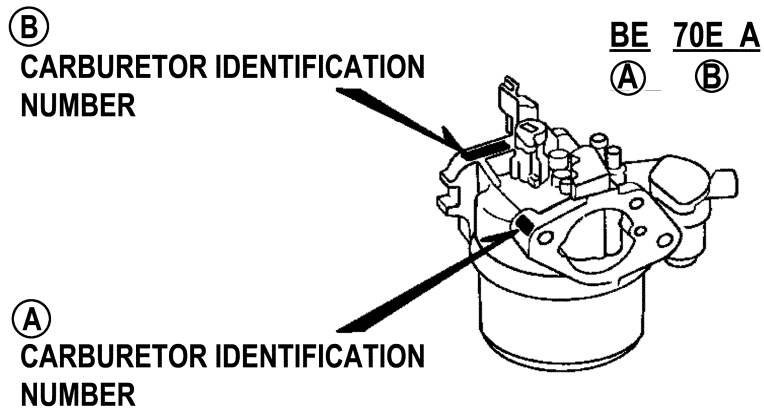
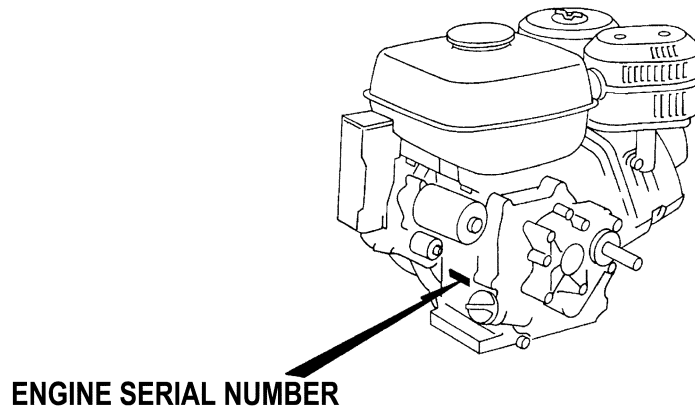
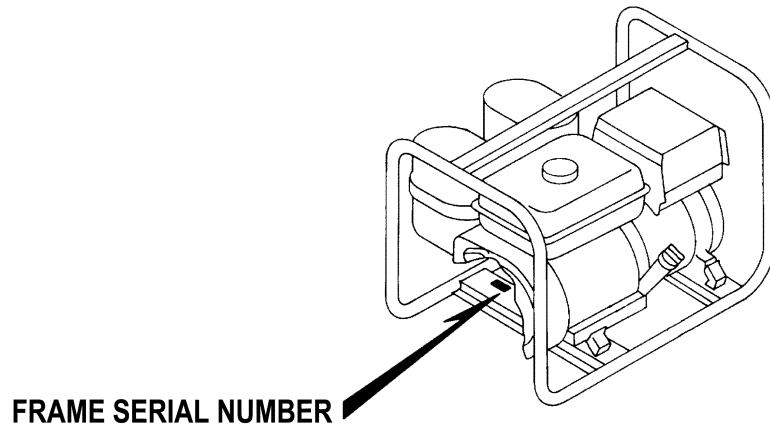
Ref.  
Reference numbers may skip number sequence because they apply in other applications.

#### Chapter Table of Contents

Some Page Titles are numbered, such as Air Cleaner (1), Air Cleaner (3) or Muffler (2) or Muffler (4), etc., may skip numbering sequence because they apply in other volumes of the same model (s).

**This page intentionally left blank.**

# LOCATION OF SERIAL NUMBER



# SERIAL NUMBERS

**Models and applicable serial numbers**

Models and applicable serial numbers given in this parts catalog can be identified as follows.

**"A/A" INDICATES TYPE "A" WITH A DIFFERENT SERIAL RANGE. (ACTUAL UNIT WILL BE MARKED "A".)**

Model	Type	Engine Model	Engine Type	Applicable Engine Serial No.	Applicable Frame Serial No.	Applicable Carburetor Identification
EZ3500	A	GX240K1	EX2	GC04-3000001 TO 4399999	EZEK-1000001 TO 1029999	BE70E A
EZ3500	A	GX240K1	EX2	GC04-3000001 TO 4399999	EZEK-1000001 TO 1029999	BE70E B
EZ3500	A/A	GX240K1	EX2	GC04-4400001~	EZEK-1030001 ~	BE70E B
EZ5000	A	GX340K1	EX3	GC05-2000001 TO 3599999	EZEL-1000001 TO 1029999	BE80D A
EZ5000	A	GX340K1	EX3	GC05-2000001 TO 3599999	EZEL-1000001 TO 1029999	BE80D B
EZ5000	A/A	GX340K1	EX3	GC05-3600001~	EZEL-1030001 ~	BE80D B

# BULK HOSE PART NUMBER PATTERN

## Construction of Fuel and Vacuum Hose Part Number

Example: 9 5 0 0 1 - 7 5 0 0 1 - 4 0 M

Roll Hose

All roll hose part numbers have an "M" in this position

Appearance Code

**Fuel Hose:**

- 2 = Red, braided exterior
- 3 = Red
- 4 = Ash Gray with red stripe
- 5 = Black, braided interior
- 6 = Black

**Vinyl Hose:**

- 1 = Ash Gray
- 2 = Black
- 3 = Light Red
- 6 = Light Red
- 7 = Pale Black

**Vacuum Hose:**

- 1 = Ash Gray
- 2 = Ash Gray
- 3 = Black
- 5 = Black

Length

Cut Hose length is in *Millimeters (mm)*

Bulk Hose length is in *Meters (M)*

Inside Diameter

Fuel and Vacuum Hose

- |                       |                              |
|-----------------------|------------------------------|
| 35 = 3.5 mm           | 11 = 11 mm                   |
| 45 = 4.5 mm           | 91 = 12 (outside dia. 15) mm |
| 50 = 5.0 mm           | 92 = 12 (outside dia. 16) mm |
| 55 = 5.3 mm or 5.5 mm | 12 = 12 (outside dia. 17) mm |
| 65 = 6.5 mm           | 14 = 14 mm                   |
| 70 = 7.0 mm           | 17 = 17 mm                   |
| 75 = 7.3 mm or 7.5 mm |                              |
| 80 = 8.0 mm           |                              |

ID./OD. Code : Vinyl Hose

- |                          |                            |                            |
|--------------------------|----------------------------|----------------------------|
| 01 = ID. 2.9, OD. 6.8 mm | 14 = ID. 6.0, OD. 9.0 mm   | 37 = ID. 11.0, OD. 15.0 mm |
| 03 = ID. 3.0, OD. 6.0 mm | 17 = ID. 7.0, OD. 9.0 mm   | 38 = ID. 12.0, OD. 13.0 mm |
| 05 = ID. 3.5, OD. 6.5 mm | 19 = ID. 7.0, OD. 11.0 mm  | 39 = ID. 12.0, OD. 14.0 mm |
| 07 = ID. 4.0, OD. 7.0 mm | 21 = ID. 8.0, OD. 9.0 mm   | 40 = ID. 12.0, OD. 16.0 mm |
| 08 = ID. 4.5, OD. 6.5 mm | 23 = ID. 8.0, OD. 12.0 mm  | 43 = ID. 13.0, OD. 15.0 mm |
| 09 = ID. 4.5, OD. 8.0 mm | 25 = ID. 9.0, OD. 11.0 mm  | 45 = ID. 14.0, OD. 18.0 mm |
| 12 = ID. 5.0, OD. 7.0 mm | 27 = ID. 9.0, OD. 13.0 mm  | 50 = ID. 16.0, OD. 19.0 mm |
| 10 = ID. 5.0, OD. 8.0 mm | 33 = ID. 10.0, OD. 14.0 mm | 55 = ID. 17.5, OD. 20.5 mm |
| 11 = ID. 5.0, OD. 9.0 mm | 36 = ID. 11.0, OD. 13.0 mm | 60 = ID. 22.0, OD. 27.0 mm |

Hose Type:

- 1 = Fuel Hose
- 3 = Vinyl Hose
- 5 = Vacuum Hose

**CAUTION: Never use vacuum / or vinyl hose in place of fuel hose or vice versa**





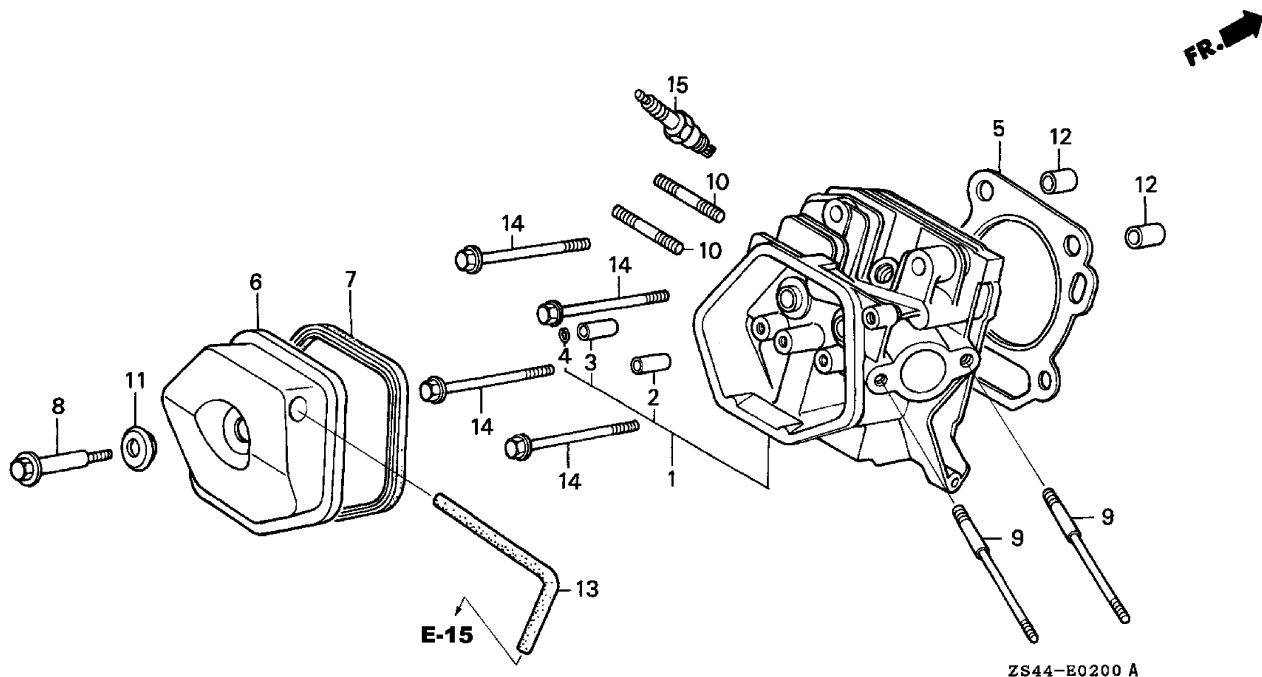
# MASTER INDEX

Title	Grid	Page	Title	Grid	Page
<b>ENGINE SECTION</b>					
CYLINDER HEAD .....	1-C1	1-2			
CYLINDER BARREL .....	1-C2	1-4			
CRANKCASE COVER .....	1-C3	1-6			
CRANKSHAFT .....	1-C4	1-8			
PISTON • RINGS .....	1-C4	1-9			
CAMSHAFT .....	1-C6	1-12			
FAN COVER .....	1-C7	1-14			
CARBURETOR .....	1-C7	1-15			
AIR CLEANER .....	1-D1	1-18			
MUFFLER .....	1-D2	1-20			
FUEL TANK .....	1-D2	1-21			
FLYWHEEL .....	1-D3	1-22			
CONTROL .....	1-D3	1-23			
GASKET KIT .....	1-D4	1-24			
<b>FRAME SECTION</b>					
CONTROL BOX .....	1-E1	2-2			
REAR HOUSING .....	1-E2	2-4			
STATOR .....	1-E3	2-6			
FRAME .....	1-E3	2-7			
RECOIL STARTER .....	1-E4	2-9			
LABELS .....	1-E5	2-11			

**ENGINE SECTION**  
**Chapter Table of Contents**

<b>Page Title</b>	<b>Grid</b>	<b>Page</b>
CYLINDER HEAD .....	1-C1	1-2
CYLINDER BARREL .....	1-C2	1-4
CRANKCASE COVER .....	1-C3	1-6
CRANKSHAFT .....	1-C4	1-8
PISTON • RINGS .....	1-C4	1-9
CAMSHAFT .....	1-C6	1-12
FAN COVER .....	1-C7	1-14
CARBURETOR .....	1-C7	1-15
AIR CLEANER .....	1-D1	1-18
MUFFLER .....	1-D2	1-20
FUEL TANK .....	1-D2	1-21
FLYWHEEL .....	1-D3	1-22
CONTROL .....	1-D3	1-23
GASKET KIT .....	1-D4	1-24

# CYLINDER HEAD



ZS44E0200A

**MODEL**  
 A =EZ3500  
 B =EZ5000

**TYPE**  
 a =A  
 b =A/A

E-2

Ref	Description	Mod	Type	Engine Serial Number		QTY	Part Number	H/C
				From	To			
1	CYLINDER HEAD.....	A	a b	-----	-----	1	12200-ZH9-000	4475349
	CYLINDER HEAD.....	B	a	-----	3056503	1	12200-ZF6-W00	4569513
	CYLINDER HEAD.....	B	a b	-----	-----	1	12200-ZF6-W01	6589345
2	GUIDE, VALVE (OS) .....	A B	a b	-----	-----	(1)	12204-ZE2-306	4179164
3	GUIDE, EX. VALVE (OS) .....	A B	a b	-----	-----	(1)	12205-ZE2-305	2089563
4	CLIP, VALVE GUIDE .....	A B	a b	-----	-----	1	12216-ZE2-300	2089597
5	GASKET, CYLINDER HEAD .....	A	a b	-----	-----	1	12251-ZE2-800	3678539
	GASKET, CYLINDER HEAD .....	B	a b	-----	-----	1	12251-ZE3-W00	3738218
6	COVER, HEAD.....	A B	a b	-----	-----	1	12310-ZE2-020	4300885
7	GASKET, CYLINDER HEAD COVER .....	A B	a b	-----	-----	1	12391-ZE2-020	4300893
8	BOLT, HEAD COVER.....	A B	a b	-----	-----	1	90014-ZE2-000	2027035
9	BOLT, STUD (8X123).....	A	a b	-----	-----	2	90042-ZE2-000	2027043
	BOLT, STUD (8X131.5) .....	B	a b	-----	-----	2	90042-ZE8-000	2106656
10	BOLT, STUD.....	A	a	-----	3844352	2	90047-ZE2-000	2027050
		B	a	-----	3033461	2	90047-ZE2-000	2027050
	BOLT 2, STUD (8X32) .....	A B	a	-----	-----	2	92900-08032-0E	2663433
		A B	b	-----	-----	2	92900-08032-0E	2663433
11	WASHER, HEAD COVER .....	A B	a b	-----	-----	1	90441-ZE2-010	2293918

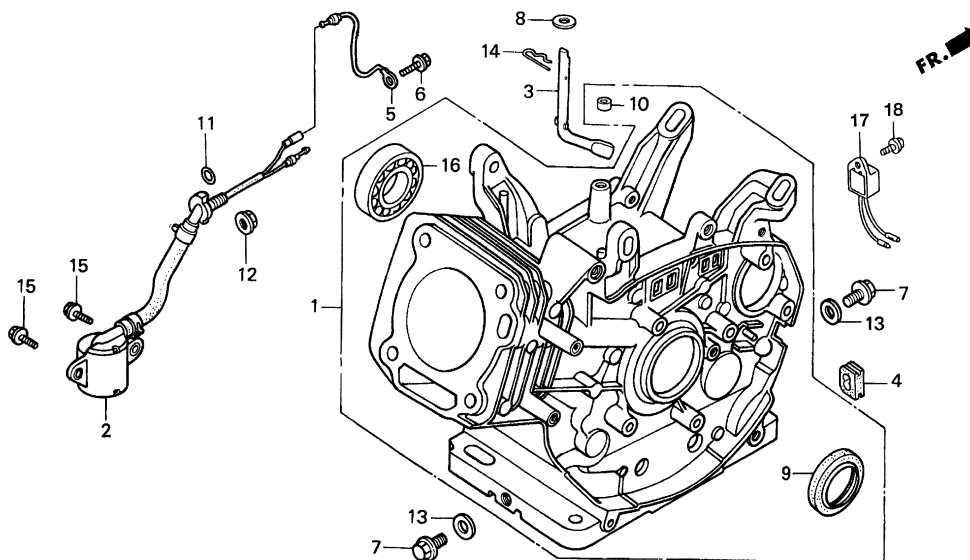
# CYLINDER HEAD

**MODEL**            **TYPE**  
 A =EZ3500        a =A  
 B =EZ5000        b =A/A

E-2

Ref	Description	Mod	Type	Engine Serial Number		QTY	Part Number	H/C
				From	To			
12	PIN A, DOWEL (12X20) .....	A B	a b	-----	-----	2	94301-12200	0165324
13	BULK HOSE, VACUUM (11X1000) (11X100).....	A	a	3454868	-----	1	95005-11001-30M	4537312
			b	-----	-----	1	95005-11001-30M	4537312
	BULK HOSE, VACUUM (11X1000) (11X105).....	A	a	-----	3454867	1	95005-11001-30M	4537312
			b	-----	-----	1	95005-11001-30M	4537312
14	BOLT, FLANGE (10X80) .....	A B	a b	-----	-----	4	95701-10080-00	2545341
15	SPARK PLUG (BPR5ES) (NGK) .....	A B	a	-----	-----	1	98079-55846	1672443
			b	-----	-----	1	98079-55855	1672450
	SPARK PLUG (W16EPR-U) (DENSO).....	A B	a b	-----	-----	1	98079-55855	1672450

# CYLINDER BARREL



ZS44E0300ZA

**MODEL**            **TYPE**  
 A =EZ3500            a =A  
 B =EZ5000            b =A/A

E-3

Ref	Description	Mod	Type	Engine Serial Number		QTY	Part Number	H/C
				From	To			
1	CYLINDER ASSY. ....	A	a	-----	4081304	1	12000-ZE2-814	4480588
	CYLINDER ASSY. (ALERT).....	A	a	4081305	-----	1	12000-ZE2-815	6436877
		A	b	-----	-----	1	12000-ZE2-815	6436877
	CYLINDER ASSY. ....	B	a	-----	3334263	1	12000-ZE3-816	4537734
	CYLINDER ASSY. (ALERT).....	B	a	-----	-----	1	12000-ZE3-817	6589329
	CYLINDER ASSY. (ALERT).....	B	b	-----	-----	1	12000-ZE3-818	7129414
2	SWITCH ASSY., OIL LEVEL .....	A	a	-----	3566259	1	15510-ZE2-023	4193736
		B	a	-----	2639737	1	15510-ZE2-023	4193736
	SWITCH ASSY., OIL LEVEL .....	A	a	-----	3674320	1	15510-ZE2-033	5361605
		B	a	-----	2786139	1	15510-ZE2-033	5361605
	SWITCH ASSY., OIL LEVEL .....	A B	a	-----	-----	1	15510-ZE2-043	5792361
		A B	b	-----	-----	1	15510-ZE2-043	5792361
3	SHAFT, GOVERNOR ARM .....	A	a b	-----	-----	1	16541-ZE2-010	4723227
	SHAFT, GOVERNOR ARM .....	B	a b	-----	-----	1	16541-ZE3-010	4717393
4	GROMMET, WIRE .....	A B	a b	-----	-----	1	31512-ZE2-000	2026557
5	SUB-HARNESS .....	A	a	-----	3566259	1	32197-ZE2-003	4220406
		B	a	-----	2639737	1	32197-ZE2-003	4220406
6	BOLT, FLANGE (6X12) (CT200) .....	A B	a	-----	-----	1	90013-883-000	0636845
7	BOLT, DRAIN PLUG .....	A B	a b	-----	-----	2	90131-896-650	1986231

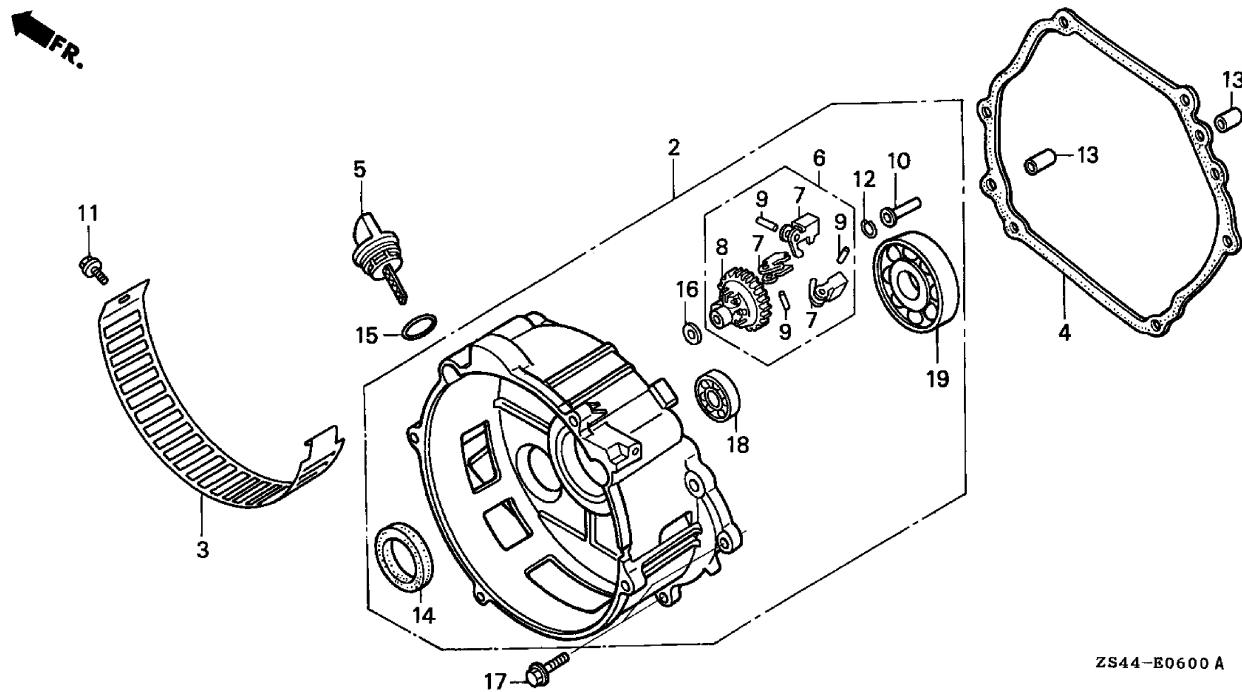
# CYLINDER BARREL

**MODEL**            **TYPE**  
A =EZ3500            a =A  
B =EZ5000            b =A/A

E-3

Ref	Description	Mod	Type	Engine Serial Number		QTY	Part Number	H/C
				From	To			
8	WASHER (8.2X17X0.8) .....	A B	a b	-----	-----	1	90446-KE1-000	2027134
9	OIL SEAL (30X46X8) .....	A	a b	-----	-----	1	91201-890-003	0756494
	OIL SEAL (35X52X8) .....	B	a b	-----	-----	1	91201-ZE3-004	2108595
10	OIL SEAL (8X14X5) .....	B	b	-----	-----	2	91201-ZE9-003	2461713
	OIL SEAL (8X14X5) .....	B	b	-----	-----	2	91203-952-771	0744326
11	O-RING (13.5X1.5) (ARAI) .....	A B	a b	-----	-----	1	91353-671-003	0949883
12	NUT, FLANGE (10MM).....	A B	a b	-----	-----	1	94050-10000	0483867
13	WASHER, DRAIN PLUG (12MM).....	A B	a b	-----	-----	2	94109-12000	0171868
14	PIN, LOCK (10MM).....	A B	a b	-----	-----	1	94251-10000	0159269
15	BOLT, FLANGE (6X12) .....	A B	a b	-----	-----	2	95701-06012-00	2105799
16	BEARING, RADIAL BALL (6202) .....	B	a b	-----	-----	1	96100-62020-00	0708941
17	ALERT UNIT, OIL .....	A	a	3684579	-----	1	34150-ZH7-003	5858444
		A B	b	-----	-----	1	34150-ZH7-003	5858444
		B	a	2801238	-----	1	34150-ZH7-003	5858444
18	BOLT, FLANGE (6X12) (CT200) .....	A	a	3684579	-----	1	90013-883-000	0636845
		A B	b	-----	-----	1	90013-883-000	0636845
		B	a	2801238	-----	1	90013-883-000	0636845

# CRANKCASE COVER



ZS44-E0600 A

ZS44E0600A

MODEL	TYPE
A =EZ3500	a =A
B =EZ5000	b =A/A

E-6

Ref	Description	Mod	Type	Engine Serial Number		QTY	Part Number	H/C
				From	To			
2	COVER ASSY., CRANKCASE (E-TYPE)....	A	a	-----	4211335	1	11300-ZE2-E70	4981866
	COVER ASSY., CRANKCASE .....	A	a b	-----		1	11300-ZE2-E72	7185481
	COVER ASSY., CRANKCASE (E-TYPE)....	B	a	-----	3460754	1	11300-ZE3-F50	4981874
	COVER ASSY., CRANKCASE .....	B	a b	-----		1	11300-ZE3-F52	7185523
3	COVER, DUCT .....	A B	a b	-----		1	11315-ZE2-E71	4981882
4	GASKET, CASE COVER .....	A	a	-----	4045100	1	11381-ZE2-800	3678505
	GASKET, CASE COVER .....	A	a b	-----		1	11381-ZE2-801	6436851
	GASKET, CASE COVER .....	B	a	-----	3279758	1	11381-ZE3-800	3712965
	GASKET, CASE COVER .....	B	a b	-----		1	11381-ZE3-801	6436869
5	CAP, OIL FILLER .....	A B	a b	-----		1	15620-ZE2-700	2278372
6	GOVERNOR ASSY. (STD).....	A	a b	-----		1	16510-ZE2-000	2871390
	GOVERNOR ASSY. ....	B	a b	-----		1	16510-ZE3-000	3713187
7	WEIGHT, GOVERNOR .....	A	a b	-----		2	16511-ZE2-000	2025955
	WEIGHT, GOVERNOR .....	B	a b	-----		3	16511-ZE8-000	2090090
8	HOLDER, GOVERNOR WEIGHT .....	A	a b	-----		1	16512-ZE2-000	2106219
	HOLDER, GOVERNOR WEIGHT .....	B	a b	-----		1	16512-ZE3-000	3713195
9	PIN, GOVERNOR WEIGHT .....	A	a b	-----		2	16513-ZE2-000	2025971
		B	a b	-----		3	16513-ZE2-000	2025971



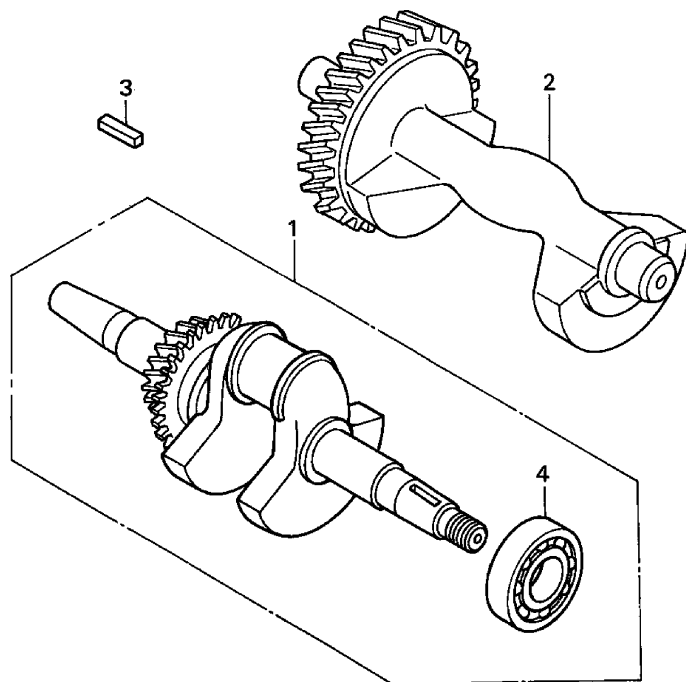
# CRANKCASE COVER

**MODEL**            **TYPE**  
 A =EZ3500        a =A  
 B =EZ5000        b =A/A

E-6

Ref	Description	Mod	Type	Engine Serial Number		QTY	Part Number	H/C	
				From	To				
10	SLIDER, GOVERNOR .....	A	a	4211336	-----	1	16531-Z0A-000	6605117	
		A	B		-----	1	16531-Z0A-000	6605117	
		B	a	3460755	-----	1	16531-Z0A-000	6605117	
11	BOLT, FLANGE (5X10) .....	A	B	a	b	-----	1	90019-883-000	0636878
12	CLIP, GOVERNOR HOLDER.....	A	B	a	b	-----	1	90602-ZE1-000	2456697
13	PIN, DOWEL (8X12).....	A	B	a	b	-----	2	90701-HC4-000	2978443
14	OIL SEAL (30X46X8) .....	A		a	b	-----	1	91201-890-003	0756494
		B		a	b	-----	1	91201-ZE3-004	2108595
15	O-RING (26X2.7) .....	A	B	a	b	-----	1	91301-805-000	0065185
16	WASHER, PLAIN (6MM) .....	A	B	a	b	-----	1	94101-06800	0345900
17	BOLT, FLANGE (8X35) .....	A		a	b	-----	7	95701-08035-00	2724029
		B		a	b	-----	7	95701-08040-00	2298404
18	BEARING, RADIAL BALL (6202) .....	B		a	b	-----	1	96100-62020-00	0708941
19	BEARING, RADIAL BALL (6206) .....	A		a	b	-----	1	96100-62060-00	0636118
		B		a	b	-----	1	96100-62070-00	0997320

# CRANKSHAFT



ZS44-E0700

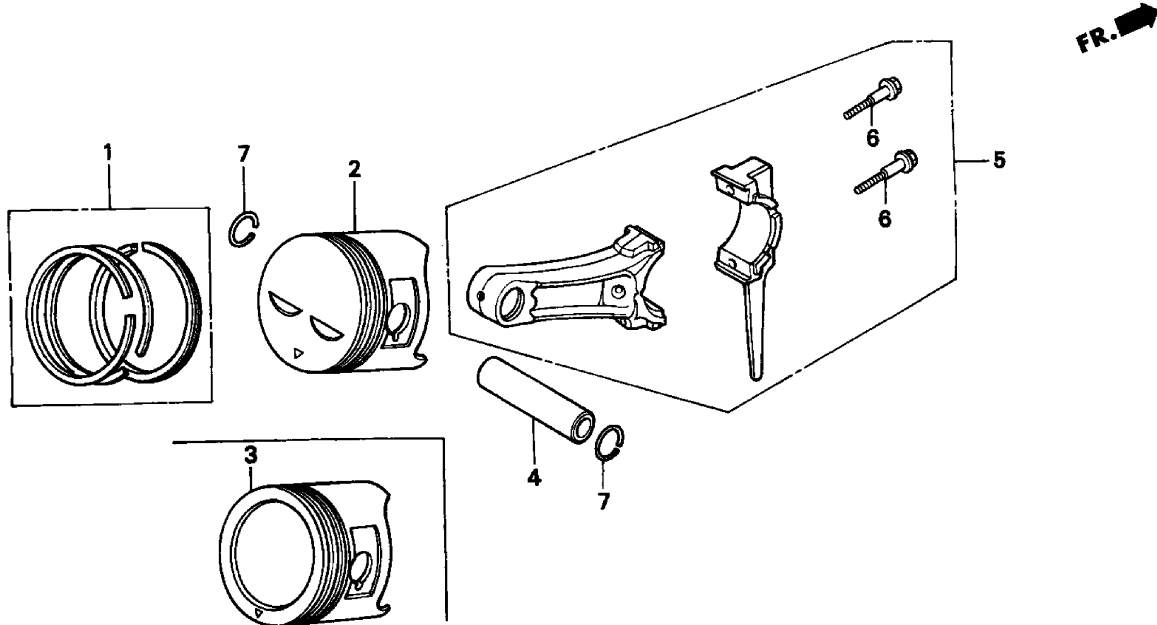
ZS44E0700

<b>MODEL</b>	<b>TYPE</b>
A =EZ3500	a =A
B =EZ5000	b =A/A

E-7

Ref	Description	Mod	Type	Engine Serial Number		QTY	Part Number	H/C
				From	To			
1	CRANKSHAFT (E-TYPE) .....	A	a b	-----	-----	1	13310-ZE2-701	4011243
	CRANKSHAFT (E-TYPE) .....	B	a b	-----	-----	1	13310-ZE3-701	4022646
2	WEIGHT, BALANCER .....	B	a b	-----	-----	1	13351-ZE3-010	3713070
3	KEY, SPECIAL WOODRUFF (25X18) .....	A B	a b	-----	-----	1	90741-ZE2-000	2027159
4	BEARING, RADIAL BALL (6206) .....	A	a b	-----	-----	1	96100-62060-00	0636118
	BEARING, RADIAL BALL (6207) .....	B	a b	-----	-----	1	96100-62070-00	0997320

# PISTON • RINGS



ZS44-E0800 A

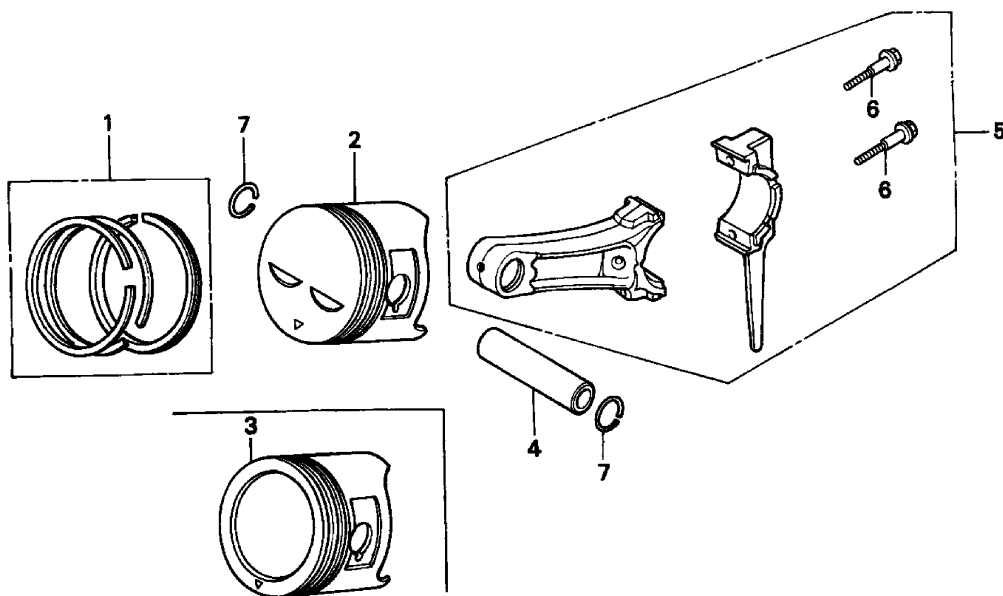
ZS44E0800A

**MODEL**      **TYPE**  
 A =EZ3500      a =A  
 B =EZ5000      b =A/A

E-8

Ref	Description	Mod	Type	Engine Serial Number		QTY	Part Number	H/C
				From	To			
1	RING SET, PISTON (STD).....	A	a	-----	4081304	1	13010-ZE2-013	3023488
	RING SET, PISTON (STD) (TEIKOKU) .....	A	a	4081305	-----	1	13010-ZE2-921	6604573
		A	b	-----	-----	1	13010-ZE2-921	6604573
	RING SET, PISTON (STD) (NIPPON) .....	A	a	4081305	-----	1	13010-ZE2-922	6604581
		A	b	-----	-----	1	13010-ZE2-922	6604581
	RING SET, PISTON (OS 0.25).....	A	a	-----	4081304	(1)	13011-ZE2-013	3023496
	RING SET, PISTON (OS 0.25) (TEIKOKU) .....	A	a	4081305	-----	(1)	13011-ZE2-921	6604607
		A	b	-----	-----	(1)	13011-ZE2-921	6604607
	RING SET, PISTON (OS 0.25) (NIPPON) ..	A	a	4081305	-----	(1)	13011-ZE2-922	6604615
		A	b	-----	-----	(1)	13011-ZE2-922	6604615
	RING SET, PISTON (OS 0.50).....	A	a	-----	4081304	(1)	13012-ZE2-013	3017894
	RING SET, PISTON (OS 0.50) (TEIKOKU) .....	A	a	4081305	-----	(1)	13012-ZE2-921	6604623
		A	b	-----	-----	(1)	13012-ZE2-921	6604623
	RING SET, PISTON (OS 0.50) (NIPPON) ..	A	a	4081305	-----	(1)	13012-ZE2-922	6604631
		A	b	-----	-----	(1)	13012-ZE2-922	6604631
	RING SET, PISTON (0.75).....	A	a	-----	4081304	(1)	13013-ZE2-013	3017910
	RING SET, PISTON (0.75).....	A	a	-----	4081304	(1)	13013-ZE2-014	3017928
	RING SET, PISTON (0.75) (TEIKOKU) .....	A	a	4081305	-----	(1)	13013-ZE2-921	6604649
		A	b	-----	-----	(1)	13013-ZE2-921	6604649
	RING SET, PISTON (0.75) (NIPPON) .....	A	a	4081305	-----	(1)	13013-ZE2-922	6604656

# PISTON • RINGS



ZS44-E0800 A

ZS44E0800A

<b>MODEL</b>	<b>TYPE</b>
A =EZ3500	a =A
B =EZ5000	b =A/A

E-8

Ref	Description	Mod	Type	Engine Serial Number		QTY	Part Number	H/C
				From	To			
1	RING SET, PISTON (0.75) (NIPPON) .....	A	b	-----	-----	(1)	13013-ZE2-922	6604656
	RING SET, PISTON (STD).....	B	a b	-----	-----	1	13010-ZE3-003	2278182
	RING SET, PISTON (OS 0.25).....	B	a b	-----	-----	(1)	13011-ZE3-003	2278208
	RING SET, PISTON (OS 0.50).....	B	a b	-----	-----	(1)	13012-ZE3-003	2278224
	RING SET, PISTON (0.75).....	B	a b	-----	-----	(1)	13013-ZE3-003	2278240
2	PISTON (STD) .....	A	a b	-----	-----	1	13101-ZE2-W00	3678547
	PISTON (OS 0.25) .....	A	a b	-----	-----	(1)	13102-ZE2-W00	3678554
	PISTON (OS 0.50) .....	A	a b	-----	-----	(1)	13103-ZE2-W00	3678562
	PISTON (0.75) .....	A	a b	-----	-----	(1)	13104-ZE2-W00	3678570
3	PISTON (STD) .....	B	a b	-----	-----	1	13101-ZE3-W00	3735420
	PISTON (OS 0.25) .....	B	a b	-----	-----	(1)	13102-ZE3-W00	3738226
	PISTON (OS 0.50) .....	B	a b	-----	-----	(1)	13103-ZE3-W00	3738234
	PISTON (0.75) .....	B	a b	-----	-----	(1)	13104-ZE3-W00	3738242
4	PIN, PISTON .....	A	a b	-----	-----	1	13111-ZE2-000	2025484
	PIN, PISTON .....	B	a b	-----	-----	1	13111-ZF6-000	3134434
5	ROD ASSY., CONNECTING (STD) .....	A	a	-----	4159260	1	13200-ZE2-000	2025492
	ROD ASSY., CONNECTING (STD) .....	A	a b	-----	-----	1	13200-ZE2-010	6835250
	ROD ASSY., CONNECTING (STD) .....	B	a	-----	3413369	1	13200-ZE3-010	2871200

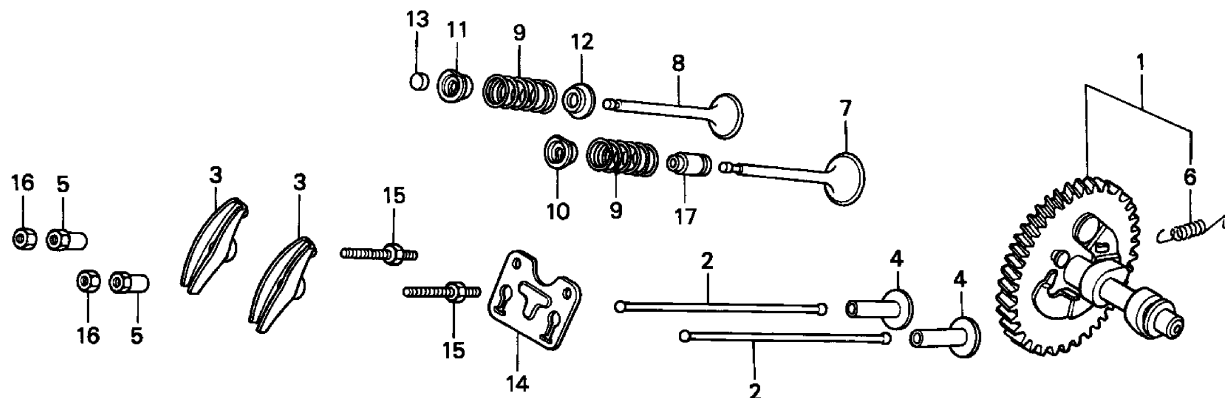
# PISTON • RINGS

**MODEL**            **TYPE**  
 A =EZ3500        a =A  
 B =EZ5000        b =A/A

E-8

Ref	Description	Mod	Type	Engine Serial Number		QTY	Part Number	H/C
				From	To			
5	ROD ASSY., CONNECTING (STD) .....	B	a b	-----	-----	1	13200-ZE3-020	6858294
6	BOLT, CONNECTING ROD .....	A B	a b	-----	-----	2	90001-ZE8-000	2160489
7	CLIP, PISTON PIN (18MM) .....	A	a b	-----	-----	2	90551-ZE1-000	2539120
	CLIP, PISTON PIN (20MM) .....	B	a b	-----	-----	2	90601-ZE3-000	2108579

# CAMSHAFT



ZS44-E0900 A



ZS44E0900A

<b>MODEL</b>	<b>TYPE</b>
A =EZ3500	a =A
B =EZ5000	b =A/A

E-9

Ref	Description	Mod	Type	Engine Serial Number		QTY	Part Number	H/C
				From	To			
1	CAMSHAFT ASSY. ....	A	a	-----	3620688	1	14100-ZE2-W00	4224382
	CAMSHAFT ASSY. ....	A	a	3620689	-----	1	14100-ZE2-W01	5776927
		A	b	-----	-----	1	14100-ZE2-W01	5776927
	CAMSHAFT ASSY. ....	A	a	-----	3620688	1	14100-ZE2-306	4730487
	CAMSHAFT ASSY. ....	B	a	-----	2708026	1	14100-ZE3-010	3738291
	CAMSHAFT ASSY. ....	B	a	2708027	-----	1	14100-ZE3-020	5680970
		B	b	-----	-----	1	14100-ZE3-020	5680970
	CAMSHAFT ASSY. ....	B	a	-----	2708026	1	14100-ZE3-305	4730495
2	ROD, PUSH .....	A	a b	-----	-----	2	14410-ZE2-013	3337169
	ROD, PUSH .....	B	a b	-----	-----	2	14410-ZE3-013	3371804
3	ARM, VALVE ROCKER .....	A B	a b	-----	-----	2	14431-ZE2-010	6206254
4	LIFTER, VALVE .....	A B	a b	-----	-----	2	14441-ZE2-000	2025609
5	PIVOT, ROCKER ARM.....	A B	a b	-----	-----	2	14451-ZE1-013	4300901
6	SPRING, WEIGHT RETURN .....	A B	a b	-----	-----	1	14568-ZE1-000	1426907
7	VALVE, IN. ....	A	a b	-----	-----	1	14711-ZE2-000	2025617
	VALVE, IN. ....	B	a b	-----	-----	1	14711-ZE3-000	2107779
8	VALVE, EX. (STELITE) .....	A	a b	-----	-----	1	14721-ZE2-810	2303774
	VALVE, EX. (STELITE) .....	B	a b	-----	-----	1	14721-ZK6-800	6771554

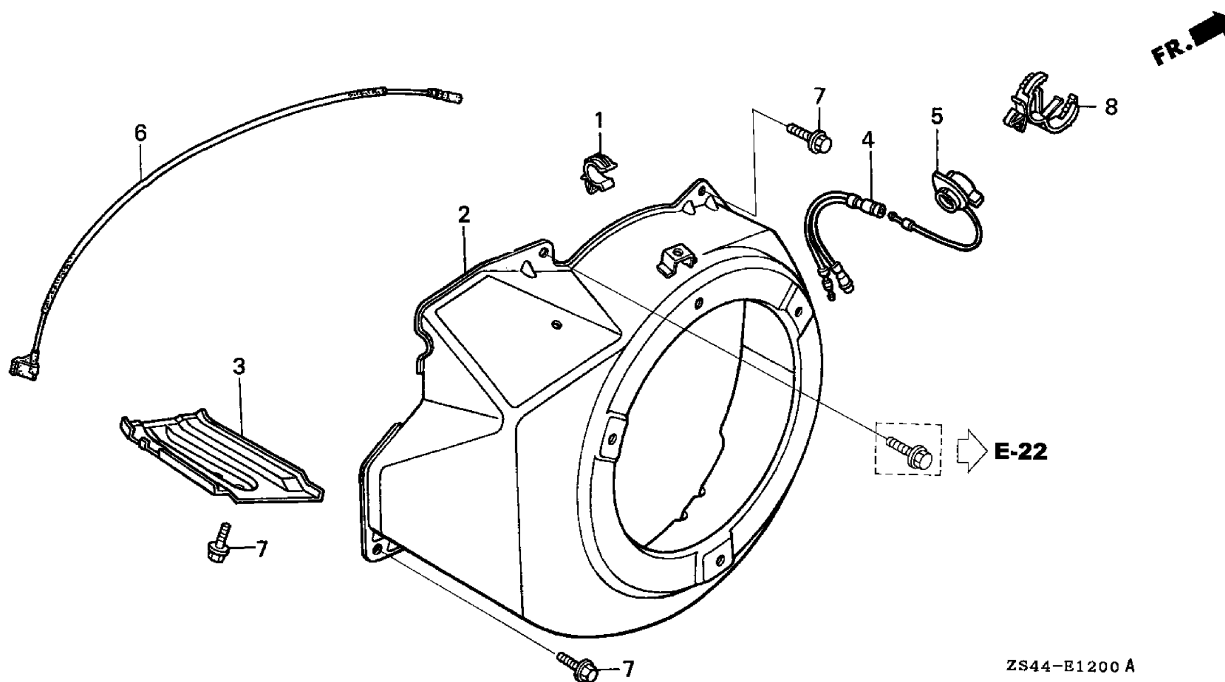
# CAMSHAFT

**MODEL**            **TYPE**  
 A =EZ3500        a =A  
 B =EZ5000        b =A/A

E-9

Ref	Description	Mod	Type	Engine Serial Number		QTY	Part Number	H/C
				From	To			
9	SPRING, VALVE .....	A B	a b	-----	-----	2	14751-ZE2-003	2025633
10	RETAINER, IN. VALVE SPRING .....	A B	a b	-----	-----	1	14771-ZE2-000	2025641
11	RETAINER, EX. VALVE SPRING .....	A B	a b	-----	-----	1	14773-ZE2-000	2025658
12	SEAT, VALVE SPRING .....	A B	a b	-----	-----	1	14775-ZE2-010	2157485
13	ROTATOR, VALVE.....	A B	a b	-----	-----	1	14781-ZE2-000	2025666
14	PLATE, PUSH ROD GUIDE.....	A B	a b	-----	-----	1	14791-ZE2-010	3707494
15	BOLT, PIVOT (8MM) .....	A B	a b	-----	-----	2	90012-ZE0-010	1756964
16	NUT, PIVOT ADJ.....	A B	a b	-----	-----	2	90206-ZE1-000	1431287
17	SEAL, VALVE STEM .....	A	a	4081305	-----	1	12209-ZE8-003	2089571
		A B	b	-----	-----	1	12209-ZE8-003	2089571
		B	a	3334264	-----	1	12209-ZE8-003	2089571

# FAN COVER



ZS44-E1200 A

ZS44E1200A

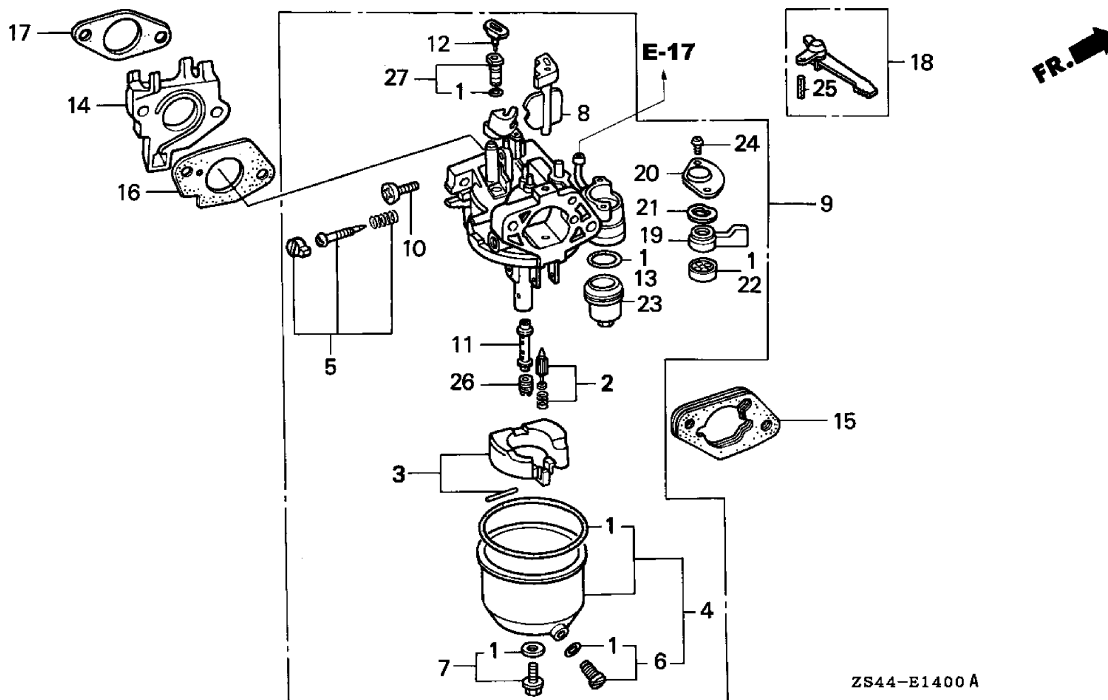
<b>MODEL</b>	<b>TYPE</b>
A =EZ3500	a =A
B =EZ5000	b =A/A

E-12

Ref	Description	Mod	Type	Engine Serial Number		QTY	Part Number	H/C
				From	To			
1	CLIP, TUBE .....	A B	a b	-----	-----	1	16731-ZE2-003	2026094
2	COVER, FAN *NH1* (BLACK) .....	A	a b	-----	-----	1	19610-ZE2-010ZC	4330999
	COVER, FAN *NH1* (BLACK) .....	B	a b	-----	-----	1	19610-ZE3-010ZB	4646055
3	SHROUD .....	A	a b	-----	-----	1	19631-ZE2-D00	4024949
	SHROUD .....	A	a	-----	3531192	1	19631-ZH9-000	3678828
	SHROUD .....	B	a b	-----	-----	1	19631-ZE3-W00	3713294
4	SUB-HARNESS .....	A	a	-----	3566259	1	32197-ZH8-003	4193082
		B	a	-----	2639737	1	32197-ZH8-003	4193082
5	SWITCH ASSY., ENGINE STOP .....	A	a	-----	3566259	1	36100-ZE1-015	2787869
		B	a	-----	2639737	1	36100-ZE1-015	2787869
	SWITCH ASSY., ENGINE STOP .....	A	a	3566260	-----	1	36100-ZH7-003	5266184
		A B	b	-----	-----	1	36100-ZH7-003	5266184
		B	a	2639738	-----	1	36100-ZH7-003	5266184
6	WIRE, STOP SWITCH (430MM) .....	A B	a b	-----	-----	1	36101-ZE2-701	3713435
7	BOLT, FLANGE (6X12) (CT200) .....	A B	a	-----	-----	6	90013-883-000	0636845
		A B	b	-----	-----	5	90013-883-000	0636845
8	CLIP, WIRE HARNESS .....	A B	a b	-----	-----	1	90684-ZA0-601	2539138



# CARBURETOR



ZS44-E1400 A

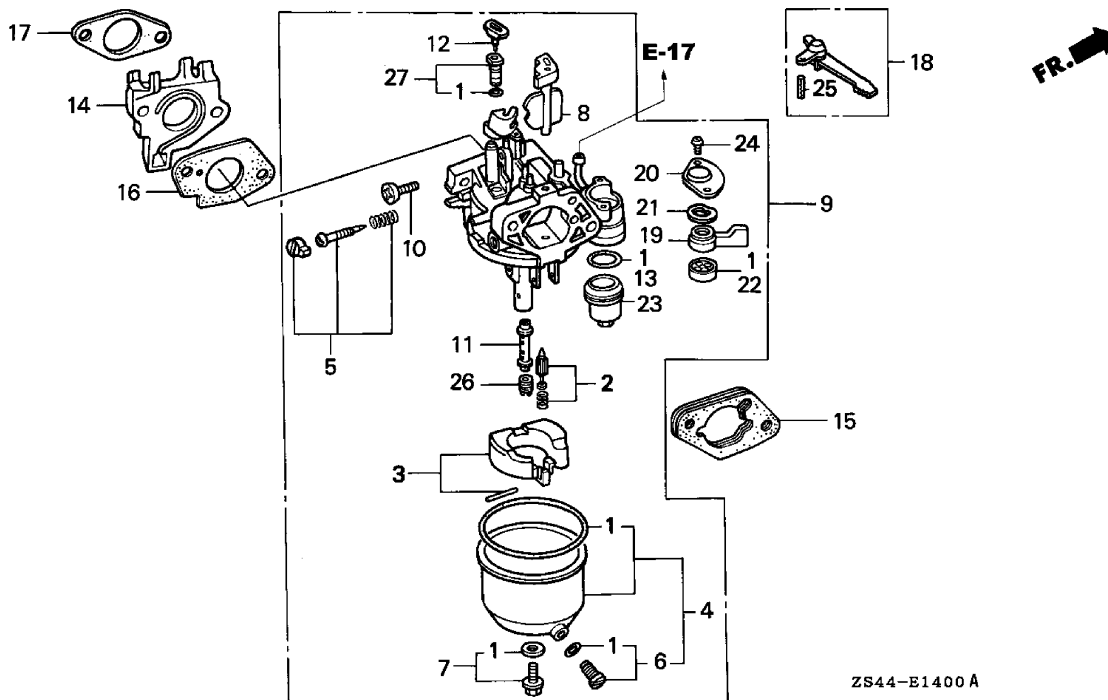
ZS44E1400A

**MODEL**            **TYPE**  
 A =EZ3500            a =A  
 B =EZ5000            b =A/A

E-14

Ref	Description	Mod	Type	Engine Serial Number		QTY	Part Number	H/C
				From	To			
1	GASKET SET .....	A B	a b	-----	-----	1	16010-ZE2-812	3511383
2	VALVE SET, FLOAT.....	A B	a b	-----	-----	1	16011-ZA0-931	2059236
3	FLOAT SET .....	A B	a b	-----	-----	1	16013-ZA0-931	2059244
4	CHAMBER SET, FLOAT .....	A	a	-----	BE70E A	1	16015-ZE8-005	2089993
		A	a	-----	BE70E B	1	16015-ZE8-005	2089993
		A B	b	-----	-----	1	16015-ZE8-005	2089993
		B	a	-----	BE80B A	1	16015-ZE8-005	2089993
		B	a	-----	BE80B B	1	16015-ZE8-005	2089993
		B	a	-----	-----	1	16015-ZE8-005	2089993
5	SCREW SET .....	A B	a b	-----	-----	1	16016-ZH7-W01	4219879
6	SCREW SET, DRAIN.....	A B	a b	-----	-----	1	16024-ZE1-811	1672187
7	SCREW SET B.....	A B	a b	-----	-----	1	16028-ZE0-005	1441518
8	CHOKE SET.....	A	a b	-----	-----	1	16044-ZE2-005	2090017
		B	a b	-----	-----	1	16044-ZE3-811	2107852
9	CARBURETOR ASSY. (BE70E B).....	A	a b	-----	-----	1	16100-ZE2-F21	5250840
		B	a b	-----	-----	1	16100-ZE3-F31	5248034
10	SCREW, THROTTLE STOP.....	A B	a b	-----	-----	1	16124-ZE0-005	1441559
11	NOZZLE, MAIN.....	A	a b	-----	-----	1	16166-ZE2-W70	4330908
		B	a b	-----	-----	1	16166-ZE3-F30	4646378
12	COLLAR, SET .....	A B	a b	-----	-----	1	16172-ZE3-W10	3738358

# CARBURETOR



ZS44-E1400 A

ZS44E1400A

<b>MODEL</b>	<b>TYPE</b>
A =EZ3500	a =A
B =EZ5000	b =A/A

E-14

Ref	Description	Mod	Type	Engine Serial Number		QTY	Part Number	H/C
				From	To			
13	GASKET, FUEL STRAINER CUP .....	A B	a b	-----	-----	1	16173-001-004	0005652
14	INSULATOR, CARBURETOR .....	A	a b	-----	-----	1	16211-ZE2-000	2025906
	INSULATOR, CARBURETOR .....	B	a b	-----	-----	1	16211-ZE3-000	2107886
15	SPACER, CARBURETOR .....	A B	a b	-----	-----	1	16220-ZA0-702	2686533
16	GASKET, CARBURETOR .....	A	a b	-----	-----	1	16221-ZA0-800	3678620
	GASKET, CARBURETOR .....	B	a b	-----	-----	1	16221-ZE3-800	3795358
17	GASKET, INSULATOR.....	A	a b	-----	-----	1	16223-ZA0-800	3678638
	GASKET, INSULATOR.....	B	a b	-----	-----	1	16223-ZE3-800	3795366
18	LEVER, CHOKE (STD).....	A B	a b	-----	-----	1	16610-ZE1-000	1440114
19	LEVER, VALVE .....	A	a	-----	BE70E A	1	16953-ZE1-406	5167358
		B	a	-----	BE80D A	1	16953-ZE1-406	5167358
	LEVER, VALVE .....	A	a	-----	BE70E A	1	16953-ZE1-811	1819986
		B	a	-----	BE80D A	1	16953-ZE1-811	1819986
	LEVER, VALVE .....	A	a	BE70E B	-----	1	16953-ZE1-812	5140876
		A B	b	-----	-----	1	16953-ZE1-812	5140876
		B	a	BE80D B	-----	1	16953-ZE1-812	5140876
20	PLATE, LEVER SETTING .....	A B	a b	-----	-----	1	16954-ZE1-812	5148135
21	SPRING, VALVE LEVER .....	A B	a b	-----	-----	1	16956-ZE1-811	1807809
22	GASKET, VALVE .....	A B	a b	-----	-----	1	16957-ZE1-812	3440708

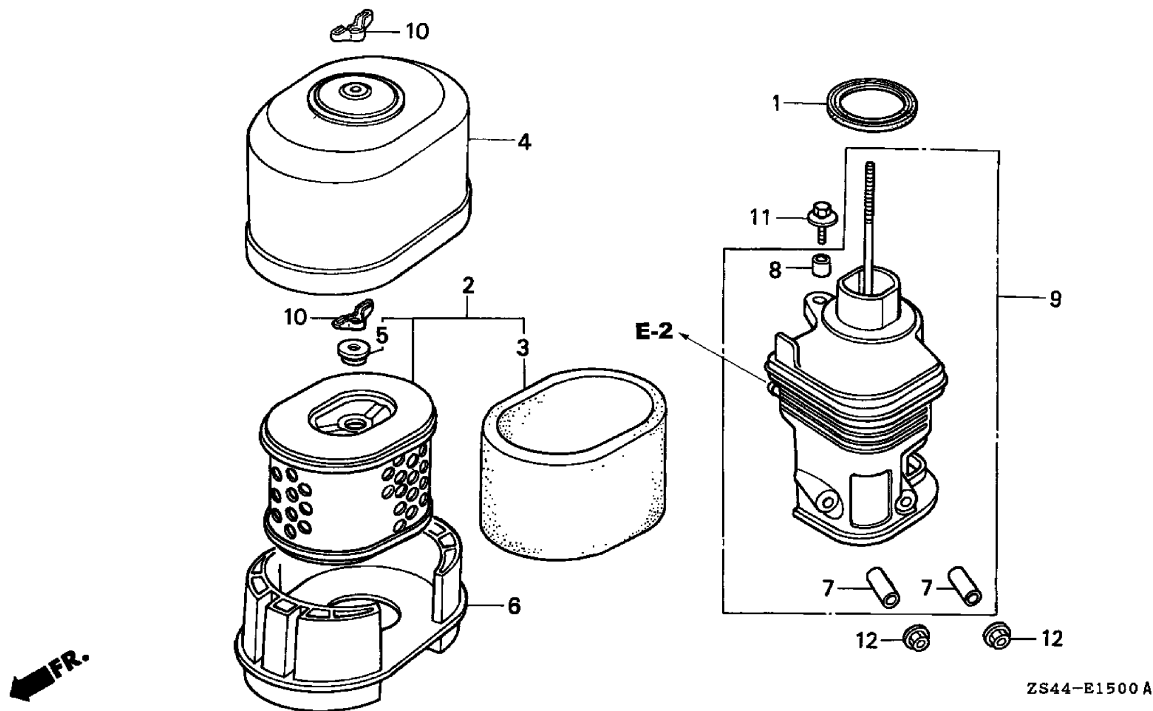
# CARBURETOR

**MODEL**            **TYPE**  
A =EZ3500            a =A  
B =EZ5000            b =A/A

E-14

Ref	Description	Mod	Type	Engine Serial Number		QTY	Part Number	H/C
				From	To			
23	CUP, FUEL STRAINER .....	A B	a b	-----	-----	1	16967-ZE0-811	1441583
24	SCREW, PAN (3X6) .....	A	a	BE70E B	-----	2	93500-03006-0H	0561654
		A B	b	-----	-----	2	93500-03006-0H	0561654
		B	a	BE80D B	-----	2	93500-03006-0H	0561654
	SCREW, PAN (3X8) .....	A	a	-----	BE70E A	2	93500-03008-0G	0420505
		B	a	-----	BE80D A	2	93500-03008-0G	0420505
25	PIN, SPRING (2X12) .....	A B	a b	-----	-----	1	94305-20122	1441591
26	JET, MAIN (#82) .....	A	a b	-----	-----	(1)	99101-ZH8-0820	5947130
		A	a b	-----	-----	(1)	99101-ZH8-0850	5947148
		A	a b	-----	-----	1	99101-ZH8-0880	5945555
		B	a b	-----	-----	(1)	99101-ZH8-0900	5947155
27	JET SET, PILOT (#40) .....	B	a b	-----	-----	(1)	99101-ZH8-0920	5947163
		B	a b	-----	-----	1	99101-ZH8-0950	6062665
27	JET SET, PILOT (#40) .....	A	a b	-----	-----	1	99204-ZE2-0400	3683141
	JET SET, PILOT (#35) .....	B	a b	-----	-----	1	99204-ZE0-0350	1441609

# AIR CLEANER



ZS44E1500A

<b>MODEL</b>	<b>TYPE</b>
A =EZ3500	a =A
B =EZ5000	b =A/A

E-15

Ref	Description	Mod	Type	Engine Serial Number		QTY	Part Number	H/C
				From	To			
1	GASKET, ELBOW .....	A B	a	-----	-----	1	16271-ZE2-000	2025948
	GASKET, ELBOW .....	A B	a b	-----	-----	1	16271-ZE2-010	7301195
2	ELEMENT, AIR CLEANER (DUAL) .....	A	a b	-----	-----	1	17210-ZE2-505	5266721
	ELEMENT, AIR CLEANER (DUAL) .....	A	a b	-----	-----	1	17210-ZE2-822	2893899
	ELEMENT, AIR CLEANER .....	B	a b	-----	-----	1	17210-ZE3-010	2893907
	ELEMENT, AIR CLEANER .....	B	a b	-----	-----	1	17210-ZE3-505	5252697
3	FILTER (OUTER) .....	A	a b	-----	-----	1	17218-ZE2-505	5196308
	FILTER (OUTER) .....	B	a b	-----	-----	1	17218-ZE3-505	5281449
4	COVER, AIR CLEANER (DUAL) .....	A	a b	-----	-----	1	17230-ZE2-820	2026110
	COVER, AIR CLEANER (STD) .....	B	a b	-----	-----	1	17230-ZE3-000	2108009
5	GROMMET, AIR CLEANER .....	A B	a b	-----	-----	1	17232-891-000	0999763
6	NOSE, MUFFLER .....	A	a b	-----	-----	1	17235-ZE2-820	2303865
	NOSE, MUFFLER .....	B	a b	-----	-----	1	17235-ZE3-000	2108017
7	COLLAR, AIR CLEANER .....	A B	a b	-----	-----	2	17238-ZE2-310	2384105
8	COLLAR B, AIR CLEANER .....	A B	a b	-----	-----	1	17239-ZE1-000	1427533
9	ELBOW, AIR CLEANER .....	A	a b	-----	-----	1	17410-ZE2-020	2414290
	ELBOW, AIR CLEANER .....	B	a b	-----	-----	1	17410-ZE3-010	2384113
10	WINGNUT, TOOL BOX SETTING .....	A B	a b	-----	-----	2	90325-044-000	0127720

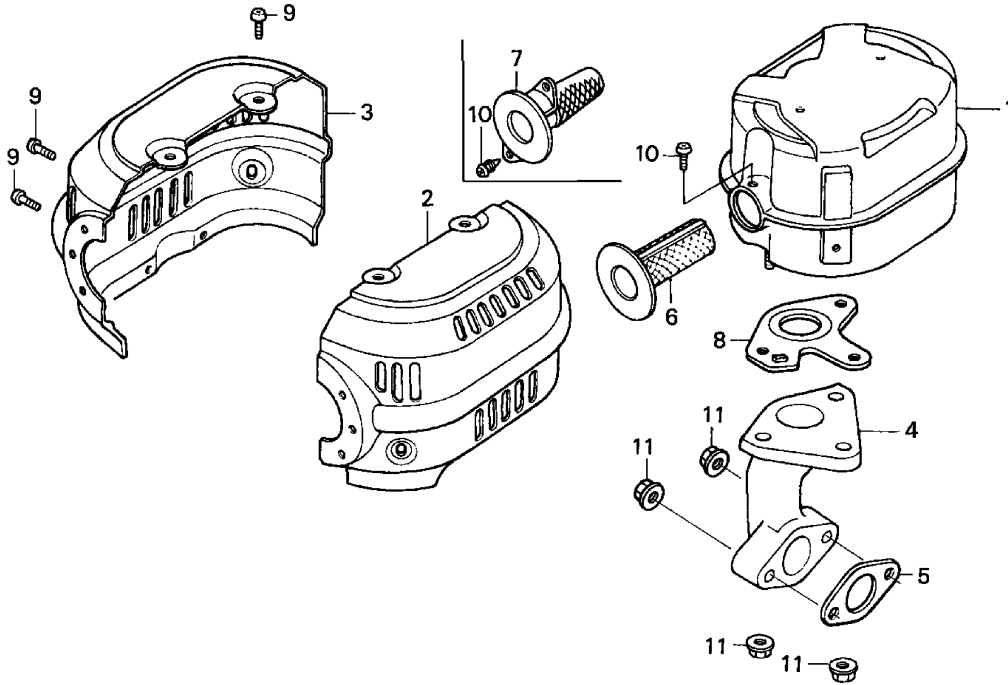
# AIR CLEANER

**MODEL**            **TYPE**  
 A =EZ3500        a =A  
 B =EZ5000        b =A/A

E-15

Ref	Description	Mod	Type	Engine Serial Number		QTY	Part Number	H/C
				From	To			
11	BOLT-WASHER (6X22) .....	A B	a b	-----	-----	1	90009-ZE2-003	6437297
12	NUT, FLANGE (6MM).....	A B	a b	-----	-----	2	94050-06000	0471623

# MUFFLER



ZS44-E1600A

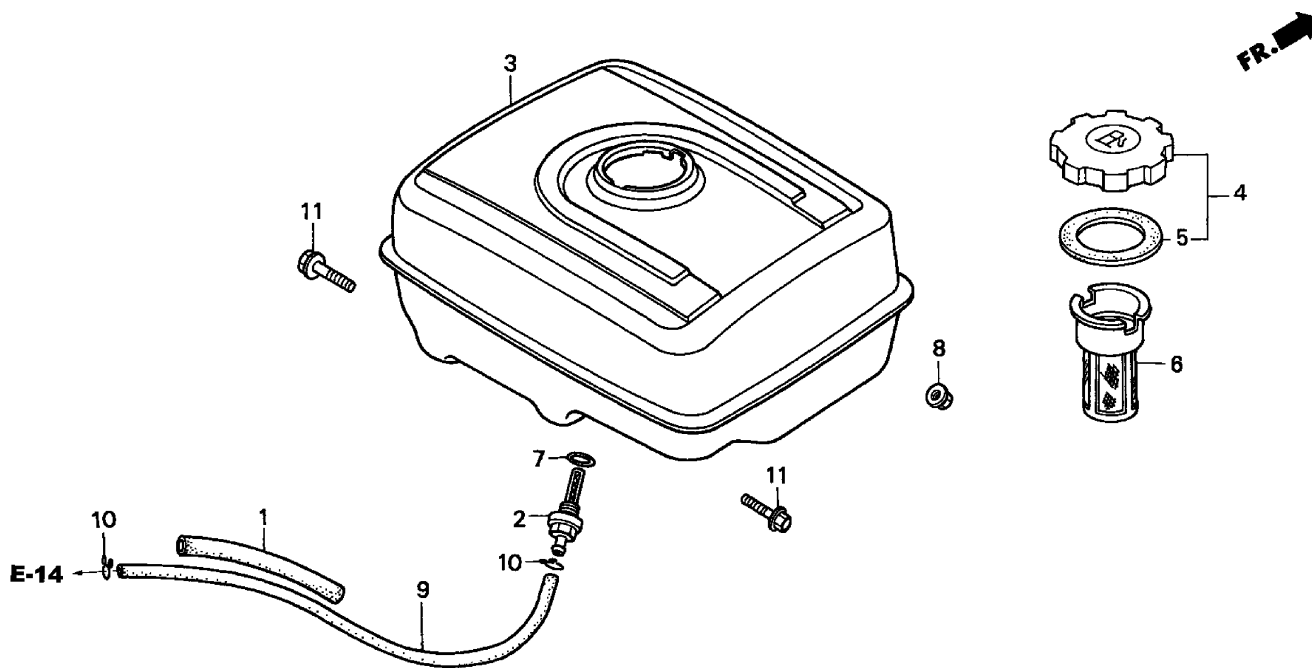
ZS44E1600A

MODEL	TYPE
A =EZ3500	a =A
B =EZ5000	b =A/A

E-16

Ref	Description	Mod	Type	Engine Serial Number		QTY	Part Number	H/C
				From	To			
1	MUFFLER (SILENT).....	A	a b	-----	-----	1	18310-ZE2-822	2520310
	MUFFLER.....	B	a b	-----	-----	1	18310-ZE3-003	2108041
2	PROTECTOR, R. MUFFLER (SILENT) .....	A	a b	-----	-----	1	18320-ZE2-P50	4024865
	PROTECTOR, R. MUFFLER .....	B	a b	-----	-----	1	18320-ZE3-H00	4024873
3	PROTECTOR, L. MUFFLER (SILENT) .....	A	a b	-----	-----	1	18325-ZE2-P50	4024881
	PROTECTOR, L. MUFFLER .....	B	a b	-----	-----	1	18325-ZE3-H00	4024899
4	PIPE, EX. ....	A B	a b	-----	-----	1	18330-ZE2-000	2026219
5	GASKET, EX. PIPE .....	A B	a b	-----	-----	1	18333-ZE3-800	3520194
	GASKET, EX. PIPE (WACKER).....	A B	a b	-----	-----	1	18333-ZK6-Y00	5164199
6	ARRESTER, SPARK .....	A	a b	-----	-----	1	18355-ZE2-010	2482594
7	ARRESTER, SPARK .....	B	a b	-----	-----	1	18355-ZE3-010	2537207
8	GASKET, MUFFLER (ARRESTER).....	A B	a b	-----	-----	1	18381-ZE2-W10	3678802
9	SCREW, TAPPING (5X8).....	A B	a b	-----	-----	6	90050-ZE1-000	1431105
10	SCREW, TAPPING (5X8).....	A	a b	-----	-----	1	90050-ZE1-000	1431105
		B	a b	-----	-----	2	90050-ZE1-000	1431105
11	NUT, FLANGE (8MM).....	A B	a b	-----	-----	5	94050-08000	0481143

# FUEL TANK



ZS44-E1700 A

ZS44E1700A

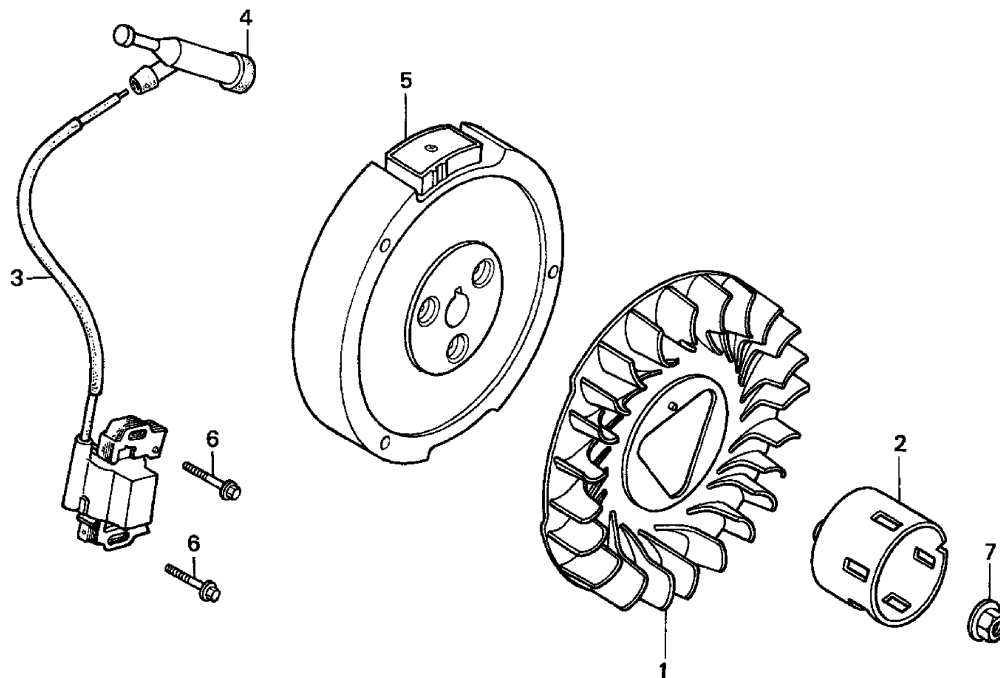
**MODEL**  
 A =EZ3500  
 B =EZ5000

**TYPE**  
 a =A  
 b =A/A

E-17

Ref	Description	Mod	Type	Engine Serial Number		QTY	Part Number	H/C
				From	To			
1	RUBBER, SUPPORTER (107MM) .....	A B	a b	-----	-----	1	16854-ZH8-000	3683646
2	JOINT, FUEL TANK .....	A B	a b	-----	-----	1	16955-ZE1-000	1427459
3	TANK, FUEL *R8* (BRIGHT RED) .....	A	a b	-----	-----	1	17510-ZE2-010ZB	3793767
	TANK, FUEL *R8* (BRIGHT RED) .....	B	a b	-----	-----	1	17510-ZE3-010ZC	4024857
4	CAP, FUEL FILLER .....	A B	a	-----	-----	1	17620-ZH7-023	5344817
		A B	b	-----	-----	1	17620-ZH7-023	5344817
5	GASKET, FUEL FILLER CAP .....	A B	a b	-----	-----	1	17631-ZH7-003	4608725
6	FILTER, FUEL .....	A B	a b	-----	-----	1	17672-ZE2-W01	4270864
7	O-RING (13.5X1.5) (ARAI) .....	A B	a b	-----	-----	1	91353-671-003	0949883
8	NUT, FLANGE (8MM).....	A B	a b	-----	-----	2	94050-08000	0481143
9	BULK HOSE, FUEL (4.5X3000) (4.5X222)	A	a b	-----	-----	1	95001-45003-60M	5137104
	BULK HOSE, FUEL (4.5X3000) (4.5X235)	B	a b	-----	-----	1	95001-45003-60M	5137104
10	CLIP, TUBE (B8) .....	A B	a b	-----	-----	2	95002-02080	0250647
11	BOLT, FLANGE (8X25) .....	A B	a b	-----	-----	2	95701-08025-00	2545325

# FLYWHEEL



ZS44-E1900

ZS44E1900

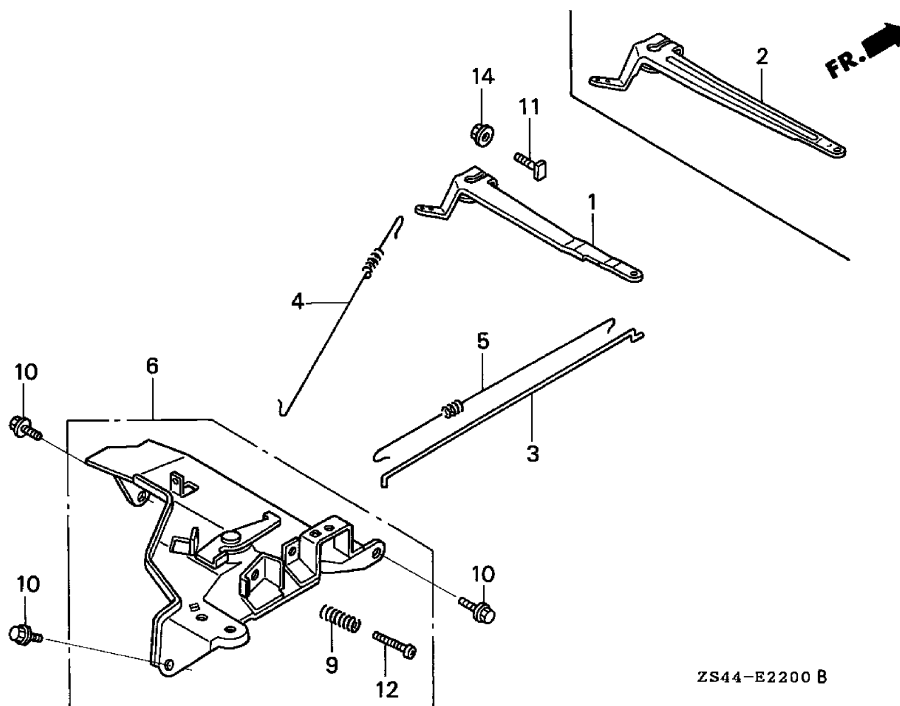
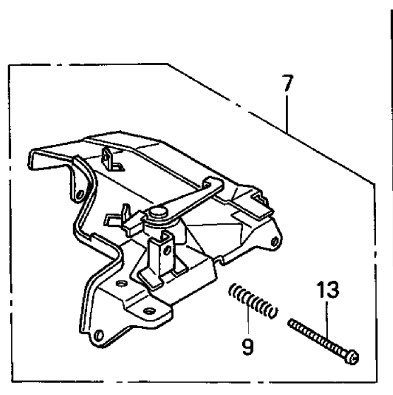
**MODEL**            **TYPE**  
 A =EZ3500            a =A  
 B =EZ5000            b =A/A

E-19

Ref	Description	Mod	Type	Engine Serial Number		QTY	Part Number	H/C
				From	To			
1	FAN, COOLING .....	A	a b	-----	-----	1	19511-ZE2-000	2026250
	FAN, COOLING .....	B	a b	-----	-----	1	19511-ZE3-000	2108108
2	PULLEY, STARTER.....	A	a b	-----	-----	1	28451-ZE2-W01	3678943
	PULLEY, STARTER.....	B	a b	-----	-----	1	28451-ZE3-W01	3735511
3	COIL ASSY., IGNITION .....	A B	a b	-----	-----	1	30500-ZF6-W02	7032428
4	CAP ASSY., NOISE SUPPRESSOR .....	A B	a b	-----	-----	1	30700-ZE1-013	3526837
5	FLYWHEEL .....	A	a b	-----	-----	1	31100-ZE2-010	5339486
	FLYWHEEL .....	B	a b	-----	-----	1	31100-ZE3-701	5355821
6	BOLT, FLANGE (6X28) .....	A B	a b	-----	-----	2	90015-883-000	0636852
7	NUT, SPECIAL (16MM) (1) .....	A	a	3467139	-----	1	90201-ZE3-V00	5032727
		A B	b	-----	-----	1	90201-ZE3-V00	5032727
		B	a	2536523	-----	1	90201-ZE3-V00	5032727
	NUT, SPECIAL (16MM) .....	A	a	-----	3467138	1	90201-ZE3-790	2326908
		B	a	-----	2536522	1	90201-ZE3-790	2326908



# CONTROL



ZS44-E2200 B

ZS44E2200B

**MODEL**            **TYPE**  
 A =EZ3500            a =A  
 B =EZ5000            b =A/A

E-22

Ref	Description	Mod	Type	Engine Serial Number		QTY	Part Number	H/C
				From	To			
1	ARM, GOVERNOR.....	A	a b	-----	-----	1	16551-ZE2-000	2026003
2	ARM, GOVERNOR.....	B	a b	-----	-----	1	16551-ZE3-000	2107928
3	ROD, GOVERNOR.....	A	a b	-----	-----	1	16555-ZE2-000	2026011
	ROD, GOVERNOR.....	B	a b	-----	-----	1	16555-ZE3-000	2107936
4	SPRING, GOVERNOR.....	A	a b	-----	-----	1	16561-ZE2-000	2026029
	SPRING, GOVERNOR.....	B	a b	-----	-----	1	16561-ZE3-710	2378032
5	SPRING, THROTTLE RETURN.....	A	a b	-----	-----	1	16562-ZE2-000	2026037
	SPRING, THROTTLE RETURN.....	B	a b	-----	-----	1	16562-ZE3-000	2107951
6	CONTROL ASSY.....	A	a b	-----	-----	1	16570-ZE2-721	3836715
7	CONTROL ASSY.....	B	a b	-----	-----	1	16570-ZE3-721	2378040
9	SPRING, CONTROL ADJUSTING.....	A B	a b	-----	-----	1	16584-883-300	0636431
10	BOLT, FLANGE (6X12) (CT200) .....	A B	a	-----	-----	2	90013-883-000	0636845
		A B	b	-----	-----	3	90013-883-000	0636845
11	BOLT, GOVERNOR ARM .....	A B	a b	-----	-----	1	90015-ZE5-010	2418671
12	SCREW, PAN (5X35).....	A	a b	-----	-----	1	93500-05035-0A	0331405
13	SCREW, PAN (5X45).....	B	a b	-----	-----	1	93500-05045-0A	0197715
14	NUT, FLANGE (6MM).....	A B	a b	-----	-----	1	94050-06000	0471623

# GASKET KIT

**MODEL**            **TYPE**  
 A =EZ3500        a =A  
 B =EZ5000        b =A/A

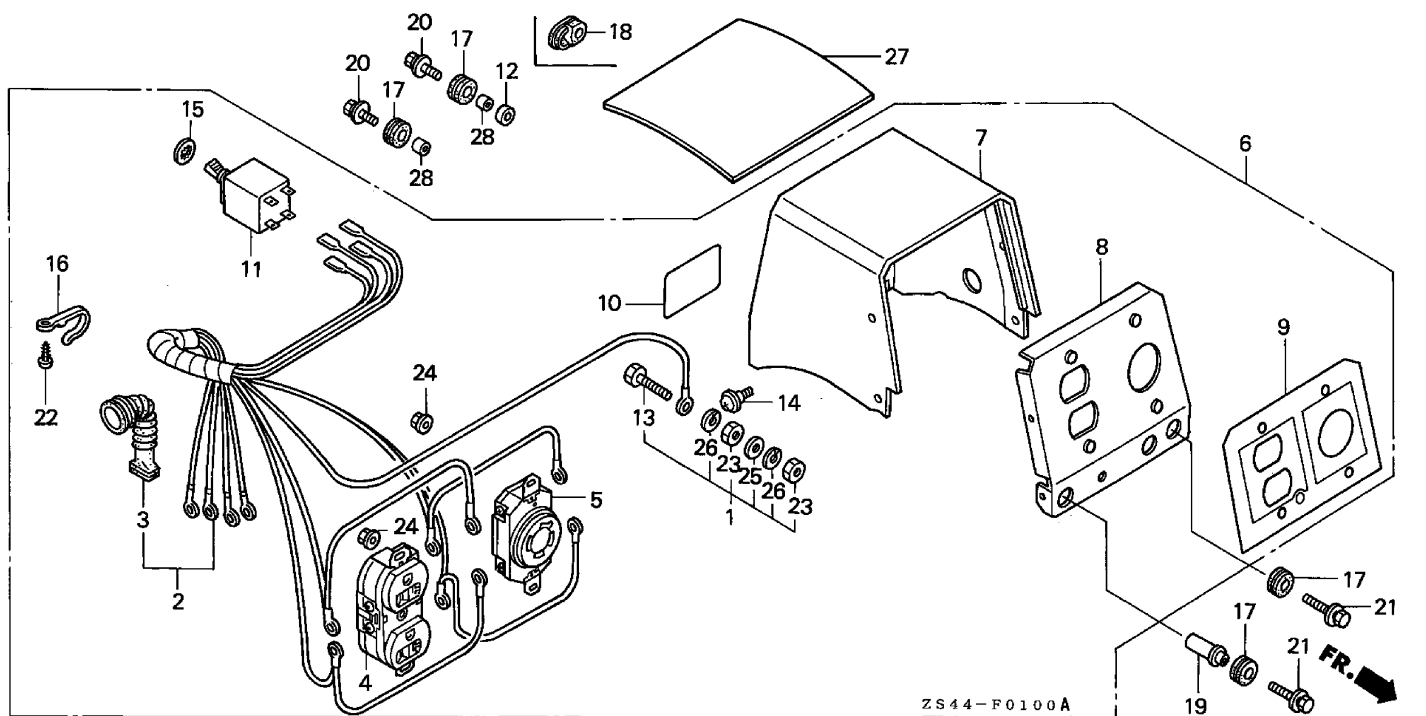
EOP-1

Ref	Description	Mod	Type	Engine Serial Number		QTY	Part Number	H/C
				From	To			
1	GASKET KIT.....	A	a	-----	4045100	1	06111-ZE2-408	5163522
	GASKET KIT.....	B	a	-----	3279758	1	06111-ZE3-409	5811864

**FRAME SECTION**  
**Chapter Table of Contents**

<b>Page Title</b>	<b>Grid</b>	<b>Page</b>
CONTROL BOX .....	1-E1	2-2
REAR HOUSING .....	1-E2	2-4
STATOR .....	1-E3	2-6
FRAME .....	1-E3	2-7
RECOIL STARTER .....	1-E4	2-9
LABELS .....	1-E5	2-11

# CONTROL BOX



ZS44-F0100A

ZS44F0100A

MODEL	TYPE
A =EZ3500	a =A
B =EZ5000	b =A/A

F-1

Ref	Description	Mod	Type	Frame Serial Number		QTY	Part Number	H/C
				From	To			
1	TERMINAL SET, GROUND .....	A B	a b	-----	-----	1	31428-ZS4-003	4982286
2	WIRE HARNESS ASSY. (EZ-A).....	A B	a b	-----	-----	1	32100-ZS3-G31	4982336
3	GROMMET, MAIN WIRE .....	A B	a b	-----	-----	1	32168-ZS4-003	4982344
4	RECEPTACLE (20A-125V) .....	A B	a b	-----	-----	1	32330-ZS3-G31	4982351
5	RECEPTACLE (20A-125/250V) .....	A B	a b	-----	-----	1	32332-ZS3-G31	4982369
6	BOX ASSY., CONTROL.....	A	a	-----	-----	1	32340-ZS3-G31	4982393
		A	b	-----	1030186	1	32340-ZS3-G31	4982393
	BOX ASSY., CONTROL.....	A	b	1030187	-----	1	32340-ZS3-G32	7363583
	BOX ASSY., CONTROL.....	B	a b	-----	-----	1	32340-ZS4-G31	4982401
7	COVER, CONTROL BOX.....	A	a	-----	-----	1	32351-ZS3-H61	4982427
		A	b	-----	1030186	1	32351-ZS3-H61	4982427
	COVER, CONTROL BOX.....	A	b	1030187	-----	1	32351-ZS3-H62	7363591
	COVER, CONTROL BOX.....	B	a b	-----	-----	1	32351-ZS4-H61	4982435
8	PANEL, FR. (EZ-A).....	A B	a b	-----	-----	1	32352-ZS3-G31	4982450
9	MARK, SWITCH PANEL (EZ-A).....	A B	a b	-----	-----	1	32366-ZS3-G31	4982484
10	MARK, PROTECTOR (ON/OFF) .....	A B	a b	-----	-----	1	32368-ZS3-G31	4982500
11	PROTECTOR, CIRCUIT (13A).....	A	a b	-----	-----	1	38220-ZB4-C90	4982559
	PROTECTOR, CIRCUIT (19A).....	B	a b	-----	-----	1	38220-ZC2-A90	4982567

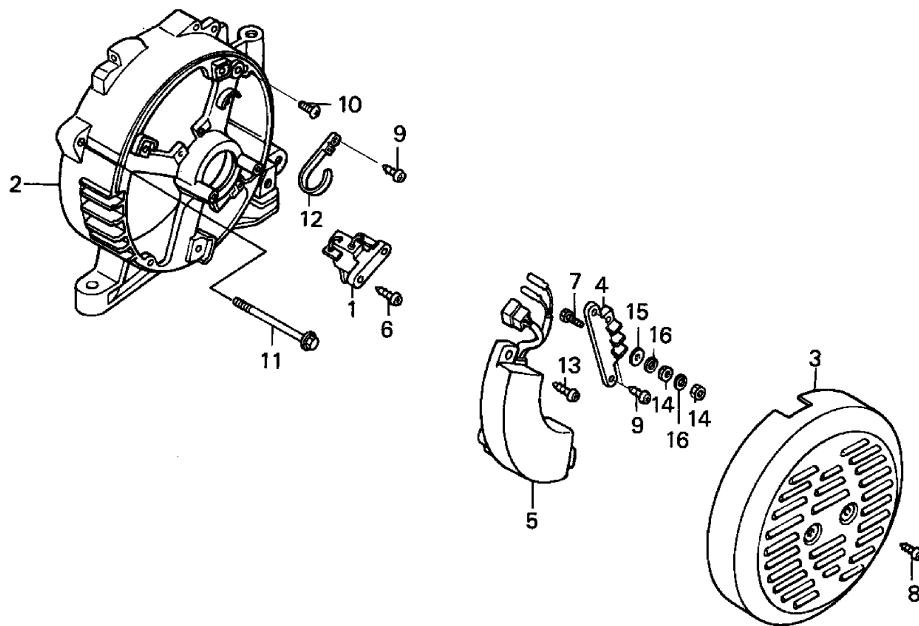
# CONTROL BOX

**MODEL**                    **TYPE**  
A =EZ3500                    a =A  
B =EZ5000                    b =A/A

F-1

Ref	Description	Mod	Type	Frame Serial Number		QTY	Part Number	H/C
				From	To			
12	COLLAR, CABLE CLAMP .....	A B	a b	-----	-----	1	44835-167-830	3631033
13	BOLT, HEX. (6X22) .....	A B	a b	-----	-----	1	90011-ZB4-000	2279867
14	SCREW, SPECIAL (4X7.5) .....	A B	a b	-----	-----	4	90105-ZS2-H61	4983078
15	WASHER, CROWN .....	A B	a b	-----	-----	1	90502-ZS4-G31	4983110
16	TIE, CABLE .....	A B	a	-----	-----	1	90673-ZB4-003	2279974
		A B	b	-----	-----	2	90673-ZB4-003	2279974
17	RUBBER, CONTROL BOX.....	A	a b	-----	-----	4	90852-898-000	1106814
		B	a b	-----	-----	3	90852-898-000	1106814
18	RUBBER, CONTROL BOX.....	B	a b	-----	-----	1	90853-ZA3-000	1273119
19	COLLAR, CONTROL BOX .....	A B	a b	-----	-----	2	91552-ZS4-H61	4983136
20	BOLT-WASHER (6X25) .....	A B	a b	-----	-----	2	93404-06025-00	3473428
21	BOLT-WASHER (6X45) .....	A B	a b	-----	-----	2	93404-06045-00	4983144
22	SCREW, TAPPING (4X16).....	A B	a b	-----	-----	1	93911-24410	4048377
23	NUT, HEX. (6MM).....	A B	a b	-----	-----	2	94001-06390-0S	1240720
24	NUT, FLANGE (4MM).....	A B	a b	-----	-----	4	94050-04000	0711549
25	WASHER, PLAIN (6MM) .....	A B	a b	-----	-----	1	94101-06800	0345900
26	WASHER, SPRING (6MM).....	A B	a b	-----	-----	2	94111-06800	0258210
27	COVER, CONTROL BOX (LOWER) .....	A	a	1015164	-----	1	31460-ZS4-G60	6135198
		A B	b	-----	-----	1	31460-ZS4-G60	6135198
		B	a	1016596	-----	1	31460-ZS4-G60	6135198
28	COLLAR, CONTROL BOX .....	A B	a b	-----	-----	2	91552-898-000	1106855

# REAR HOUSING



ZS44-F0200 A

ZS44F0200A

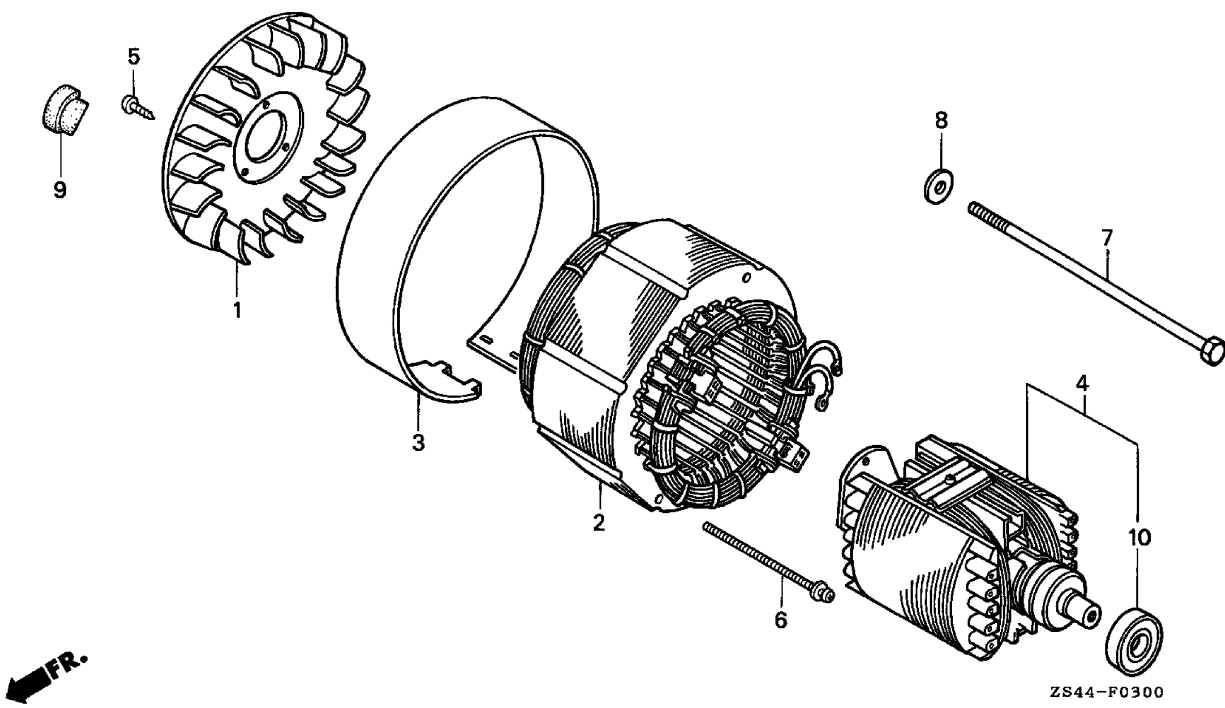
<b>MODEL</b>	<b>TYPE</b>
A =EZ3500	a =A
B =EZ5000	b =A/A

F-2

Ref	Description	Mod	Type	Frame Serial Number		QTY	Part Number	H/C
				From	To			
1	BRUSH ASSY. ....	A B	a b	-----	-----	1	31106-ZB4-003	2278885
2	HOUSING, RR.....	A B	a b	-----	-----	1	31108-ZS4-003	4982096
3	COVER, GENERATOR END *NH1* (BLACK) .....	A B	a b	-----	-----	1	31113-ZB4-003ZE	4982104
4	TERMINAL, VOLT CHANGE .....	A B	a b	-----	-----	1	31118-898-691	2278927
5	REGULATOR ASSY., AUTOMATIC VOLTAGE.....	A B	a b	-----	-----	1	31700-ZS4-003	4982302
6	SCREW, TAPPING (5X18).....	A B	a b	-----	-----	1	90031-ZC0-003	2279883
7	BOLT, HEX. (5X20) .....	A B	a b	-----	-----	3	90031-ZD1-E31	3978640
8	SCREW, TAPPING (5X12).....	A B	a b	-----	-----	2	90031-875-003	0941419
9	SCREW, TAPPING (5X14).....	A B	a b	-----	-----	3	90032-875-003	0941427
10	SCREW, PAN (5X12) .....	A B	a b	-----	-----	1	90102-899-003	1809219
11	BOLT, FLANGE (6X100) .....	A	a b	-----	-----	4	90157-ZD9-J71	4983086
	BOLT, FLANGE (6X135) .....	B	a b	-----	-----	4	90101-ZB4-811	2326890
12	TIE, CABLE .....	A B	a b	-----	-----	1	90673-ZB4-003	2279974
13	SCREW, TAPPING (5X16).....	A B	a b	-----	-----	2	93904-25320	2502342
14	NUT, HEX. (5MM).....	A B	a b	-----	-----	6	94002-05390-0S	1106954
15	WASHER, PLAIN (5MM) .....	A B	a b	-----	-----	3	94101-05800	0285791



# STATOR



ZS44F0300

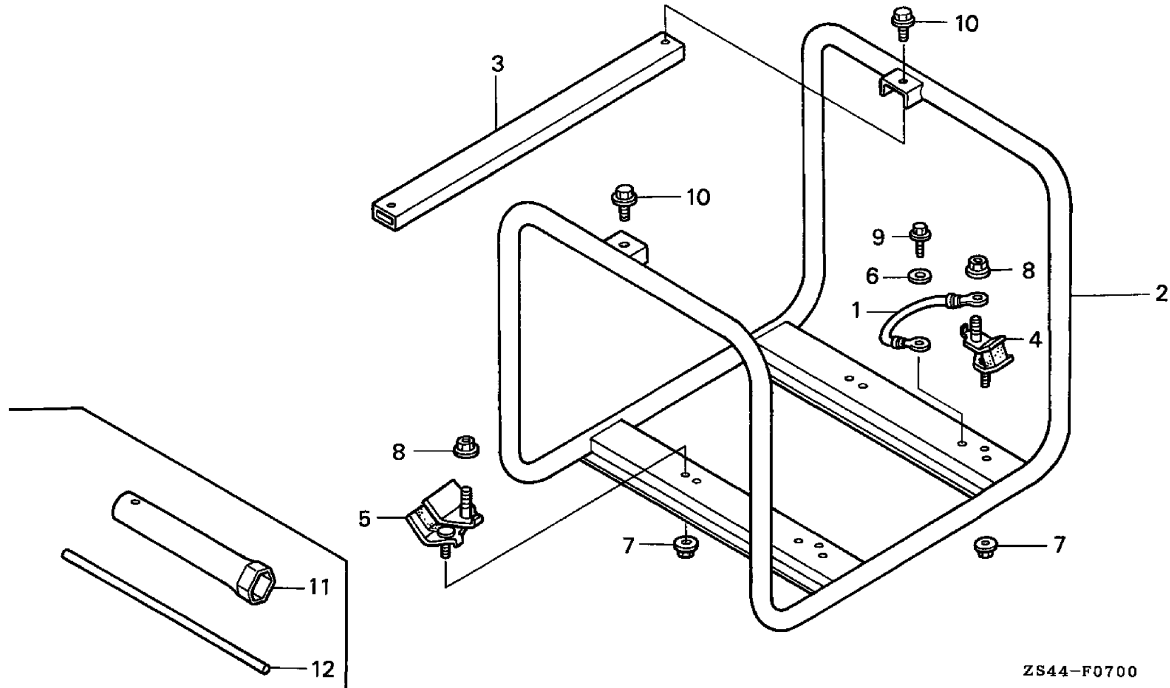
<b>MODEL</b>	<b>TYPE</b>
A =EZ3500	a =A
B =EZ5000	b =A/A

F-3

Ref	Description	Mod	Type	Frame Serial Number		QTY	Part Number	H/C
				From	To			
1	FAN, GENERATOR COOLING .....	A B	a b	-----	-----	1	31112-ZB4-003	2278901
2	STATOR ASSY. ....	A	a b	-----	-----	1	31120-ZS3-G31	4982112
	STATOR ASSY. ....	B	a b	-----	-----	1	31120-ZS4-G31	4982120
3	COVER, STATOR .....	A	a b	-----	-----	1	31127-ZS3-003	4982138
	COVER, STATOR .....	B	a b	-----	-----	1	31127-ZB4-812	4726550
4	ROTOR.....	A	a b	-----	-----	1	31130-ZS3-003	4982161
	ROTOR.....	B	a b	-----	-----	1	31130-ZS4-003	4982179
5	SCREW, TAPPING (5X14).....	A B	a b	-----	-----	3	90032-875-003	0941427
6	BOLT-WASHER (5X135) .....	A	a b	-----	-----	1	90091-ZS3-003	4983011
	BOLT-WASHER (5X170) .....	B	a b	-----	-----	1	90091-ZS4-003	4983029
7	BOLT, HEX. (10X190) .....	A	a b	-----	-----	1	90101-ZS3-000	4983037
	BOLT, HEX. (10X225) .....	B	a b	-----	-----	1	90101-ZS4-000	4983045
8	WASHER (10.5MM) .....	A B	a b	-----	-----	1	90504-ZA0-000	1313113
9	GROMMET, CRANKCASE.....	A B	a b	-----	-----	1	90855-ZB4-000	2279982
10	BEARING ASSY. (6204).....	A B	a b	-----	-----	1	91051-ZB4-003	2760460



# FRAME



ZS44-F0700

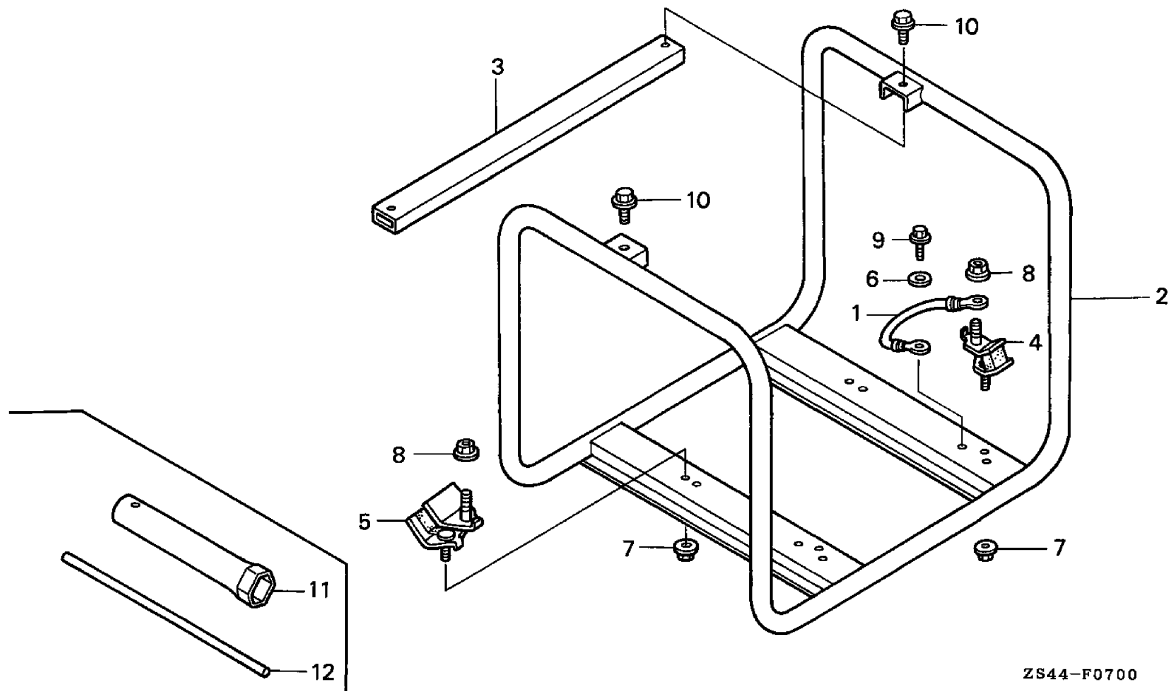
ZS44F0700

MODEL	TYPE
A =EZ3500	a =A
B =EZ5000	b =A/A

F-7

Ref	Description	Mod	Type	Frame Serial Number		QTY	Part Number	H/C
				From	To			
1	CABLE, GROUND .....	A B	a b	-----	-----	1	32610-899-000	1239953
2	FRAME *NH105* (MAT BLACK) .....	A	a b	-----	-----	1	50310-ZS3-000ZA	4982617
	FRAME *NH105* (MAT BLACK) .....	B	a b	-----	-----	1	50310-ZS4-000ZA	4982625
3	BAR, FRAME JOINT *NH105* (MAT BLACK).....	A	a b	-----	-----	1	50353-ZS3-000ZA	4982633
	BAR, FRAME JOINT *NH105* (MAT BLACK).....	B	a b	-----	-----	1	50353-ZS4-000ZA	4982641
4	RUBBER (LOWER) .....	A	a b	-----	-----	2	68325-ZB4-000	2288793
	RUBBER (LOWER) .....	B	a b	-----	-----	2	68325-ZC2-000	2279677
5	RUBBER (LOWER) .....	A B	a b	-----	-----	2	68325-899-000	1240423
6	WASHER, LOCK (6MM).....	A B	a b	-----	-----	1	90432-898-000	1776293
7	NUT, FLANGE (8MM).....	A B	a b	-----	-----	4	94050-08000	0481143
8	NUT, FLANGE (10MM).....	A B	a b	-----	-----	4	94050-10000	0483867
9	BOLT, FLANGE (6X10) .....	A B	a b	-----	-----	1	95701-06010-00	2410876
10	BOLT, FLANGE (8X16) .....	A B	a b	-----	-----	2	95700-08016-00	0631242
	BOLT, FLANGE (8X16) .....	A B	a b	-----	-----	2	95701-08016-00	2298396
11	WRENCH, BOX (P21) .....	A	a	-----	1015237	1	99004-21002	1107010
		B	a	-----	1016869	1	99004-21002	1107010
12	BAR A, HANDLE .....	A	a	-----	1015237	1	99005-01000	0276733

# FRAME



ZS44-F0700

ZS44F0700

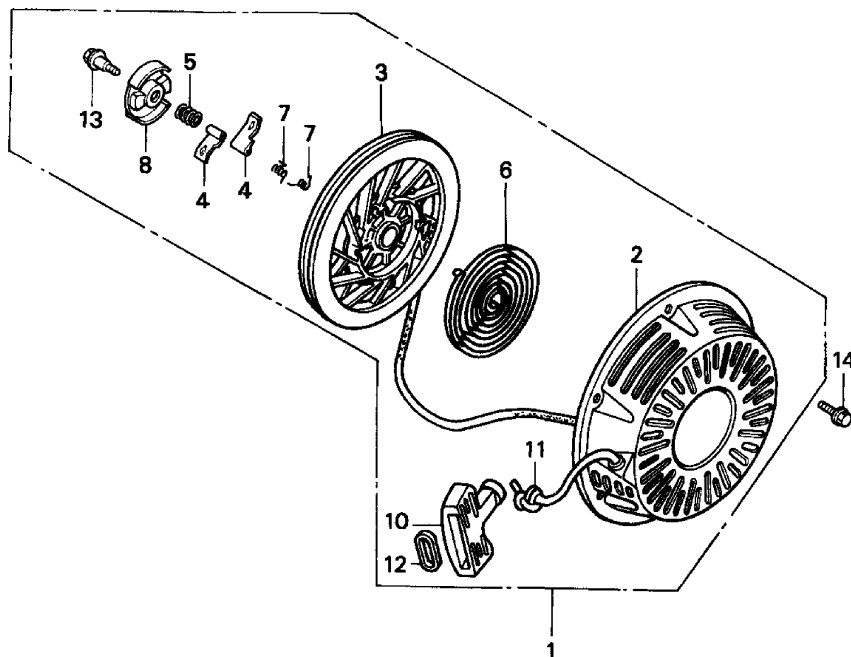
<b>MODEL</b>	<b>TYPE</b>
A =EZ3500	a =A
B =EZ5000	b =A/A

F-7

Ref	Description	Mod	Type	Frame Serial Number		QTY	Part Number	H/C
				From	To			
12	BAR A, HANDLE .....	B	a	-----	1016869	1	99005-01000	0276733

# RECOIL STARTER

FR.



ZS44-F0900 A

ZS44F0900A

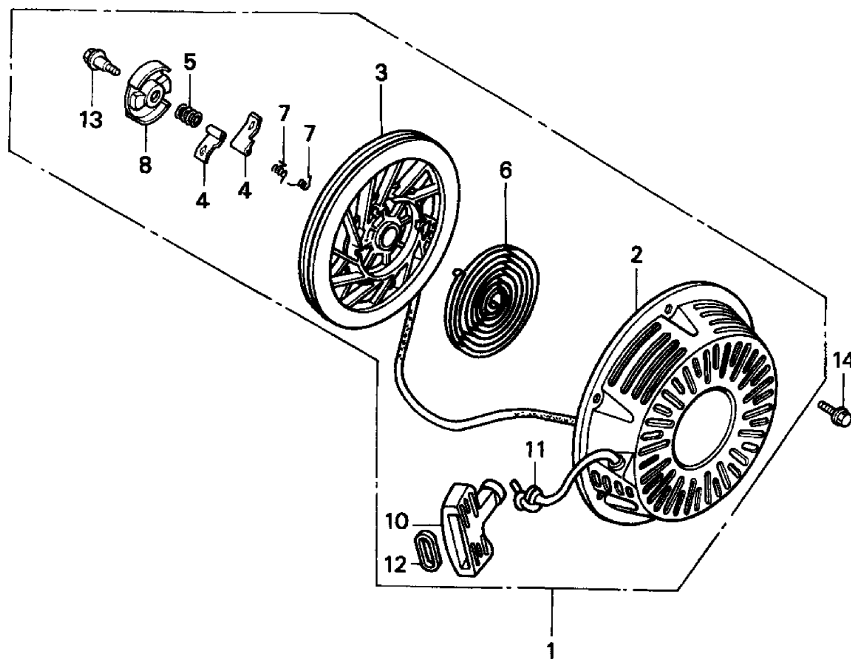
**MODEL**            **TYPE**  
 A =EZ3500            a =A  
 B =EZ5000            b =A/A

F-9

Ref	Description	Mod	Type	Frame Serial Number		QTY	Part Number	H/C
				From	To			
1	STARTER ASSY., RECOIL *NH1* (BLACK)	A	a b	-----	-----	1	28400-ZE2-W01ZB	4220315
	STARTER ASSY., RECOIL *NH1* (BLACK)	B	a b	-----	-----	1	28400-ZE3-W01ZB	4209920
2	CASE, RECOIL STARTER *NH1* (BLACK) (BLACK) .....	A	a b	-----	-----	1	28410-ZE2-W01ZB	4220323
	CASE, RECOIL STARTER *NH1* (BLACK)	B	a b	-----	-----	1	28410-ZE3-W01ZB	4209953
3	PULLEY, RECOIL STARTER.....	A	a b	-----	-----	1	28421-ZE2-W01	3678869
	PULLEY, RECOIL STARTER.....	B	a b	-----	-----	1	28421-ZE3-W01	3713328
4	RATCHET, STARTER .....	A B	a b	-----	-----	2	28422-ZE2-W01	3678877
5	SPRING, FRICTION.....	A B	a b	-----	-----	1	28441-ZE2-W01	3678885
6	SPRING, STARTER RETURN .....	A B	a b	-----	-----	1	28442-ZE2-W01	3678893
7	SPRING, RATCHET.....	A B	a b	-----	-----	2	28443-ZE2-W01	3678901
8	RETAINER, SPRING .....	A B	a b	-----	-----	1	28444-ZE2-W01	3678919
10	GRIP, STARTER .....	A B	a	-----	-----	1	28461-ZE2-W02	6133649
		A B	b	-----	-----	1	28461-ZE2-W02	6133649
11	ROPE, RECOIL STARTER (#5X55") (NA USE ALT:08550-ZG921-11) .....	A	a	-----	1015504	1	28462-ZE2-W01	3678968
	ROPE, RECOIL STARTER (#5X55").....	A	a	1015505	-----	1	28462-ZE2-W11	6139729
		A	b	-----	-----	1	28462-ZE2-W11	6139729

# RECOIL STARTER

FR. →



ZS44-F0900 A

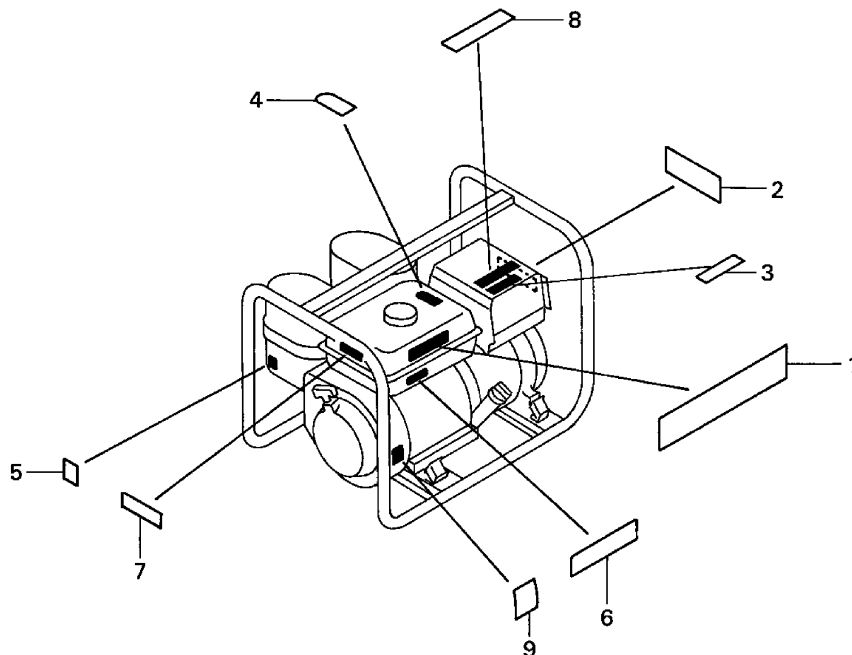
ZS44F0900A

MODEL	TYPE
A =EZ3500	a =A
B =EZ5000	b =A/A

F-9

Ref	Description	Mod	Type	Frame Serial Number		QTY	Part Number	H/C
				From	To			
11	ROPE, RECOIL STARTER (#6X64") (N/A: USE P/N 08560-ZG921-11) .....	B	a b	-----	-----	1	28462-ZE3-W01	3713344
12	GRIP, REINFORCEMENT .....	A	a	-----	1015504	1	28469-ZE2-W01	3678976
		B	a	-----	1017842	1	28469-ZE2-W01	3678976
13	SCREW, CENTER .....	A B	a b	-----	-----	1	90004-ZE2-W01	3679024
14	BOLT, FLANGE (6X10) .....	A B	a b	-----	-----	3	90008-ZE2-003	6437289

# LABELS



ZS44-F1000

ZS44F1000

**MODEL**            **TYPE**  
 A =EZ3500        a =A  
 B =EZ5000        b =A/A

F-10

Ref	Description	Mod	Type	Frame Serial Number		QTY	Part Number	H/C
				From	To			
1	MARK, EMBLEM .....	A	a b	-----	-----	1	87101-ZS3-G30	4982898
	MARK, EMBLEM .....	B	a b	-----	-----	1	87101-ZS4-G30	4982906
2	PLATE, CAUTION .....	A	a b	-----	-----	1	87150-ZS3-G30	4982930
	PLATE, CAUTION .....	B	a b	-----	-----	1	87150-ZS4-G30	4982948
3	LABEL, RAIN WARNING (ENGLISH) .....	A B	a b	-----	-----	1	87168-ZC3-630	3512373
4	MARK, CAUTION (ENGLISH/ FRENCH)(SPANISH) .....	A B	a b	-----	-----	1	87522-883-660	0636811
5	MARK, CHOKE (EXTERNAL) .....	A B	a b	-----	-----	1	87528-ZE2-810	2026979
6	MARK, OIL ALERT (E) .....	A B	a b	-----	-----	1	87532-ZH8-810	4193355
7	MARK, CAUTION (CO)(ENGLISH/ FRENCH)(SPANISH) .....	A B	a b	-----	-----	1	87561-880-600	0629501
8	LABEL, CONNECT WARNING (ENGLISH)	A B	a b	-----	-----	1	87563-ZB4-631	2656064
9	MARK, OIL CAUTION .....	A B	a b	-----	-----	1	87594-ZB4-A00	4011714



# **Part Number Index**

# PART NUMBER INDEX

Part Number	Grid	Page	Part Number	Grid	Page	Part Number	Grid	Page
(0)			13103-ZE3-W00 .....	1-C5	1-10	16220-ZA0-702 .....	1-C8	1-16
			13104-ZE2-W00 .....	1-C5	1-10	16221-ZA0-800 .....	1-C8	1-16
			13104-ZE3-W00 .....	1-C5	1-10	16221-ZE3-800 .....	1-C8	1-16
06111-ZE2-408 .....	1-D4	1-24	13111-ZE2-000 .....	1-C5	1-10	16223-ZA0-800 .....	1-C8	1-16
06111-ZE3-409 .....	1-D4	1-24	13111-ZF6-000 .....	1-C5	1-10	16223-ZE3-800 .....	1-C8	1-16
(1)			13200-ZE2-000 .....	1-C5	1-10	16271-ZE2-000 .....	1-D1	1-18
			13200-ZE2-010 .....	1-C5	1-10	16271-ZE2-010 .....	1-D1	1-18
			13200-ZE3-010 .....	1-C5	1-10	16510-ZE2-000 .....	1-C3	1-6
11300-ZE2-E70 .....	1-C3	1-6	13200-ZE3-020 .....	1-C5	1-11	16510-ZE3-000 .....	1-C3	1-6
11300-ZE2-E72 .....	1-C3	1-6	13310-ZE2-701 .....	1-C4	1-8	16511-ZE2-000 .....	1-C3	1-6
11300-ZE3-F50 .....	1-C3	1-6	13310-ZE3-701 .....	1-C4	1-8	16511-ZE8-000 .....	1-C3	1-6
11300-ZE3-F52 .....	1-C3	1-6	13351-ZE3-010 .....	1-C4	1-8	16512-ZE2-000 .....	1-C3	1-6
11315-ZE2-E71 .....	1-C3	1-6	14100-ZE2-306 .....	1-C6	1-12	16512-ZE3-000 .....	1-C3	1-6
11381-ZE2-800 .....	1-C3	1-6	14100-ZE2-W00 .....	1-C6	1-12	16513-ZE2-000 .....	1-C3	1-6
11381-ZE2-801 .....	1-C3	1-6	14100-ZE2-W01 .....	1-C6	1-12	16531-Z0A-000 .....	1-C3	1-7
11381-ZE3-800 .....	1-C3	1-6	14100-ZE3-010 .....	1-C6	1-12	16541-ZE2-010 .....	1-C2	1-4
11381-ZE3-801 .....	1-C3	1-6	14100-ZE3-020 .....	1-C6	1-12	16541-ZE3-010 .....	1-C2	1-4
12000-ZE2-814 .....	1-C2	1-4	14100-ZE3-305 .....	1-C6	1-12	16551-ZE2-000 .....	1-D3	1-23
12000-ZE2-815 .....	1-C2	1-4	14410-ZE2-013 .....	1-C6	1-12	16551-ZE3-000 .....	1-D3	1-23
12000-ZE3-816 .....	1-C2	1-4	14410-ZE3-013 .....	1-C6	1-12	16555-ZE2-000 .....	1-D3	1-23
12000-ZE3-817 .....	1-C2	1-4	14431-ZE2-010 .....	1-C6	1-12	16555-ZE3-000 .....	1-D3	1-23
12000-ZE3-818 .....	1-C2	1-4	14441-ZE2-000 .....	1-C6	1-12	16561-ZE2-000 .....	1-D3	1-23
12200-ZF6-W00 .....	1-C1	1-2	14451-ZE1-013 .....	1-C6	1-12	16561-ZE3-710 .....	1-D3	1-23
12200-ZF6-W01 .....	1-C1	1-2	14568-ZE1-000 .....	1-C6	1-12	16562-ZE2-000 .....	1-D3	1-23
12200-ZH9-000 .....	1-C1	1-2	14711-ZE2-000 .....	1-C6	1-12	16562-ZE3-000 .....	1-D3	1-23
12204-ZE2-306 .....	1-C1	1-2	14711-ZE3-000 .....	1-C6	1-12	16570-ZE2-721 .....	1-D3	1-23
12205-ZE2-305 .....	1-C1	1-2	14721-ZE2-810 .....	1-C6	1-12	16570-ZE3-721 .....	1-D3	1-23
12209-ZE8-003 .....	1-C6	1-13	14721-ZK6-800 .....	1-C6	1-12	16584-883-300 .....	1-D3	1-23
12216-ZE2-300 .....	1-C1	1-2	14751-ZE2-003 .....	1-C6	1-13	16610-ZE1-000 .....	1-C8	1-16
12251-ZE2-800 .....	1-C1	1-2	14771-ZE2-000 .....	1-C6	1-13	16731-ZE2-003 .....	1-C7	1-14
12251-ZE3-W00 .....	1-C1	1-2	14773-ZE2-000 .....	1-C6	1-13	16854-ZH8-000 .....	1-D2	1-21
12310-ZE2-020 .....	1-C1	1-2	14775-ZE2-010 .....	1-C6	1-13	16953-ZE1-406 .....	1-C8	1-16
12391-ZE2-020 .....	1-C1	1-2	14781-ZE2-000 .....	1-C6	1-13	16953-ZE1-811 .....	1-C8	1-16
13010-ZE2-013 .....	1-C4	1-9	14791-ZE2-010 .....	1-C6	1-13	16953-ZE1-812 .....	1-C8	1-16
13010-ZE2-921 .....	1-C4	1-9	15510-ZE2-023 .....	1-C2	1-4	16954-ZE1-812 .....	1-C8	1-16
13010-ZE2-922 .....	1-C4	1-9	15510-ZE2-033 .....	1-C2	1-4	16955-ZE1-000 .....	1-D2	1-21
13010-ZE3-003 .....	1-C5	1-10	15510-ZE2-043 .....	1-C2	1-4	16956-ZE1-811 .....	1-C8	1-16
13011-ZE2-013 .....	1-C4	1-9	15620-ZE2-700 .....	1-C3	1-6	16957-ZE1-812 .....	1-C8	1-16
13011-ZE2-921 .....	1-C4	1-9	16010-ZE2-812 .....	1-C7	1-15	16967-ZE0-811 .....	1-C8	1-17
13011-ZE2-922 .....	1-C4	1-9	16011-ZA0-931 .....	1-C7	1-15	17210-ZE2-505 .....	1-D1	1-18
13011-ZE3-003 .....	1-C5	1-10	16013-ZA0-931 .....	1-C7	1-15	17210-ZE2-822 .....	1-D1	1-18
13012-ZE2-013 .....	1-C4	1-9	16015-ZE8-005 .....	1-C7	1-15	17210-ZE3-010 .....	1-D1	1-18
13012-ZE2-921 .....	1-C4	1-9	16016-ZH7-W01 .....	1-C7	1-15	17210-ZE3-505 .....	1-D1	1-18
13012-ZE2-922 .....	1-C4	1-9	16024-ZE1-811 .....	1-C7	1-15	17218-ZE2-505 .....	1-D1	1-18
13012-ZE3-003 .....	1-C5	1-10	16028-ZE0-005 .....	1-C7	1-15	17218-ZE3-505 .....	1-D1	1-18
13013-ZE2-013 .....	1-C4	1-9	16044-ZE2-005 .....	1-C7	1-15	17230-ZE2-820 .....	1-D1	1-18
13013-ZE2-014 .....	1-C4	1-9	16044-ZE3-811 .....	1-C7	1-15	17230-ZE3-000 .....	1-D1	1-18
13013-ZE2-921 .....	1-C4	1-9	16100-ZE2-F21 .....	1-C7	1-15	17232-891-000 .....	1-D1	1-18
13013-ZE2-922 .....	1-C4	1-9	16100-ZE3-F31 .....	1-C7	1-15	17235-ZE2-820 .....	1-D1	1-18
	1-C5	1-10	16124-ZE0-005 .....	1-C7	1-15	17235-ZE3-000 .....	1-D1	1-18
13013-ZE3-003 .....	1-C5	1-10	16166-ZE2-W70 .....	1-C7	1-15	17238-ZE2-310 .....	1-D1	1-18
13101-ZE2-W00 .....	1-C5	1-10	16166-ZE3-F30 .....	1-C7	1-15	17239-ZE1-000 .....	1-D1	1-18
13101-ZE3-W00 .....	1-C5	1-10	16172-ZE3-W10 .....	1-C7	1-15	17410-ZE2-020 .....	1-D1	1-18
13102-ZE2-W00 .....	1-C5	1-10	16173-001-004 .....	1-C8	1-16	17410-ZE3-010 .....	1-D1	1-18
13102-ZE3-W00 .....	1-C5	1-10	16211-ZE2-000 .....	1-C8	1-16	17510-ZE2-010ZB .....	1-D2	1-21
13103-ZE2-W00 .....	1-C5	1-10	16211-ZE3-000 .....	1-C8	1-16	17510-ZE3-010ZC .....	1-D2	1-21



# PART NUMBER INDEX

Part Number	Grid	Page	Part Number	Grid	Page	Part Number	Grid	Page
17620-ZH7-023	1-D2	1-21	31120-ZS4-G31	1-E3	2-6	87522-883-660	1-E5	2-11
17631-ZH7-003	1-D2	1-21	31127-ZB4-812	1-E3	2-6	87528-ZE2-810	1-E5	2-11
17672-ZE2-W01	1-D2	1-21	31127-ZS3-003	1-E3	2-6	87532-ZH8-810	1-E5	2-11
18310-ZE2-822	1-D2	1-20	31130-ZS3-003	1-E3	2-6	87561-880-600	1-E5	2-11
18310-ZE3-003	1-D2	1-20	31130-ZS4-003	1-E3	2-6	87563-ZB4-631	1-E5	2-11
18320-ZE2-P50	1-D2	1-20	31428-ZS4-003	1-E1	2-2	87594-ZB4-A00	1-E5	2-11
18320-ZE3-H00	1-D2	1-20	31460-ZS4-G60	1-E1	2-3			
18325-ZE2-P50	1-D2	1-20	31512-ZE2-000	1-C2	1-4	(9)		
18325-ZE3-H00	1-D2	1-20	31700-ZS4-003	1-E2	2-4	90001-ZE8-000	1-C5	1-11
18330-ZE2-000	1-D2	1-20	32100-ZS3-G31	1-E1	2-2	90004-ZE2-W01	1-E5	2-10
18333-ZE3-800	1-D2	1-20	32168-ZS4-003	1-E1	2-2	90008-ZE2-003	1-E5	2-10
18333-ZK6-Y00	1-D2	1-20	32197-ZE2-003	1-C2	1-4	90009-ZE2-003	1-D1	1-19
18355-ZE2-010	1-D2	1-20	32197-ZH8-003	1-C7	1-14	90011-ZB4-000	1-E1	2-3
18355-ZE3-010	1-D2	1-20	32330-ZS3-G31	1-E1	2-2	90012-ZE0-010	1-C6	1-13
18381-ZE2-W10	1-D2	1-20	32332-ZS3-G31	1-E1	2-2	90013-883-000	1-C2	1-4
19511-ZE2-000	1-D3	1-22	32340-ZS3-G31	1-E1	2-2		1-C2	1-5
19511-ZE3-000	1-D3	1-22	32340-ZS3-G32	1-E1	2-2		1-C7	1-14
19610-ZE2-010ZC	1-C7	1-14	32340-ZS4-G31	1-E1	2-2		1-D3	1-23
19610-ZE3-010ZB	1-C7	1-14	32351-ZS3-H61	1-E1	2-2	90014-ZE2-000	1-C1	1-2
19631-ZE2-D00	1-C7	1-14	32351-ZS3-H62	1-E1	2-2	90015-883-000	1-D3	1-22
19631-ZE3-W00	1-C7	1-14	32351-ZS4-H61	1-E1	2-2	90015-ZE5-010	1-D3	1-23
19631-ZH9-000	1-C7	1-14	32352-ZS3-G31	1-E1	2-2	90019-883-000	1-C3	1-7
			32366-ZS3-G31	1-E1	2-2	90031-875-003	1-E2	2-4
(2)			32368-ZS3-G31	1-E1	2-2	90031-ZC0-003	1-E2	2-4
28400-ZE2-W01ZB	1-E4	2-9	32610-899-000	1-E3	2-7	90031-ZD1-E31	1-E2	2-4
28400-ZE3-W01ZB	1-E4	2-9	34150-ZH7-003	1-C2	1-5	90032-875-003	1-E2	2-4
28410-ZE2-W01ZB	1-E4	2-9	36100-ZE1-015	1-C7	1-14		1-E3	2-6
28410-ZE3-W01ZB	1-E4	2-9	36100-ZH7-003	1-C7	1-14	90042-ZE2-000	1-C1	1-2
28421-ZE2-W01	1-E4	2-9	36101-ZE2-701	1-C7	1-14	90042-ZE8-000	1-C1	1-2
28421-ZE3-W01	1-E4	2-9	38220-ZB4-C90	1-E1	2-2	90047-ZE2-000	1-C1	1-2
28422-ZE2-W01	1-E4	2-9	38220-ZC2-A90	1-E1	2-2	90050-ZE1-000	1-D2	1-20
28441-ZE2-W01	1-E4	2-9				90091-ZS3-003	1-E3	2-6
28442-ZE2-W01	1-E4	2-9	(4)			90091-ZS4-003	1-E3	2-6
28443-ZE2-W01	1-E4	2-9	44835-167-830	1-E1	2-3	90101-ZB4-811	1-E2	2-4
28444-ZE2-W01	1-E4	2-9				90101-ZS3-000	1-E3	2-6
28451-ZE2-W01	1-D3	1-22	(5)			90101-ZS4-000	1-E3	2-6
28451-ZE3-W01	1-D3	1-22	50310-ZS3-000ZA	1-E3	2-7	90102-899-003	1-E2	2-4
28461-ZE2-W02	1-E4	2-9	50310-ZS4-000ZA	1-E3	2-7	90105-ZS2-H61	1-E1	2-3
28462-ZE2-W01	1-E4	2-9	50353-ZS3-000ZA	1-E3	2-7	90131-896-650	1-C2	1-4
28462-ZE2-W11	1-E4	2-9	50353-ZS4-000ZA	1-E3	2-7	90157-ZD9-J71	1-E2	2-4
28462-ZE3-W01	1-E5	2-10				90201-ZE3-790	1-D3	1-22
28469-ZE2-W01	1-E5	2-10	(6)			90201-ZE3-V00	1-D3	1-22
			68325-899-000	1-E3	2-7	90206-ZE1-000	1-C6	1-13
(3)			68325-ZB4-000	1-E3	2-7	90325-044-000	1-D1	1-18
30500-ZF6-W02	1-D3	1-22	68325-ZC2-000	1-E3	2-7	90432-898-000	1-E3	2-7
30700-ZE1-013	1-D3	1-22				90441-ZE2-010	1-C1	1-2
31100-ZE2-010	1-D3	1-22	(8)			90446-KE1-000	1-C2	1-5
31100-ZE3-701	1-D3	1-22	87101-ZS3-G30	1-E5	2-11	90502-ZS4-G31	1-E1	2-3
31106-ZB4-003	1-E2	2-4	87101-ZS4-G30	1-E5	2-11	90504-ZA0-000	1-E3	2-6
31108-ZS4-003	1-E2	2-4	87150-ZS3-G30	1-E5	2-11	90551-ZE1-000	1-C5	1-11
31112-ZB4-003	1-E3	2-6	87150-ZS4-G30	1-E5	2-11	90601-ZE3-000	1-C5	1-11
31113-ZB4-003ZE	1-E2	2-4	87168-ZC3-630	1-E5	2-11	90602-ZE1-000	1-C3	1-7
31118-898-691	1-E2	2-4				90673-ZB4-003	1-E1	2-3
31120-ZS3-G31	1-E3	2-6					1-E2	2-4
						90684-ZA0-601	1-C7	1-14

# PART NUMBER INDEX

Part Number	Grid	Page	Part Number	Grid	Page	Part Number	Grid	Page
90701-HC4-000	1-C3	1-7	96100-62020-00	1-C2	1-5			
90741-ZE2-000	1-C4	1-8		1-C3	1-7			
90852-898-000	1-E1	2-3	96100-62060-00	1-C3	1-7			
90853-ZA3-000	1-E1	2-3		1-C4	1-8			
90855-ZB4-000	1-E3	2-6	96100-62070-00	1-C3	1-7			
91051-ZB4-003	1-E3	2-6		1-C4	1-8			
91201-890-003	1-C2	1-5	98079-55846	1-C1	1-3			
	1-C3	1-7	98079-55855	1-C1	1-3			
91201-ZE3-004	1-C2	1-5	99004-21002	1-E3	2-7			
	1-C3	1-7	99005-01000	1-E3	2-7			
91201-ZE9-003	1-C2	1-5		1-E4	2-8			
91203-952-771	1-C2	1-5	99101-ZH8-0820	1-C8	1-17			
91301-805-000	1-C3	1-7	99101-ZH8-0850	1-C8	1-17			
91353-671-003	1-C2	1-5	99101-ZH8-0880	1-C8	1-17			
	1-D2	1-21	99101-ZH8-0900	1-C8	1-17			
91552-898-000	1-E1	2-3	99101-ZH8-0920	1-C8	1-17			
91552-ZS4-H61	1-E1	2-3	99101-ZH8-0950	1-C8	1-17			
92900-08032-0E	1-C1	1-2	99204-ZE0-0350	1-C8	1-17			
93404-06025-00	1-E1	2-3	99204-ZE2-0400	1-C8	1-17			
93404-06045-00	1-E1	2-3						
93500-03006-0H	1-C8	1-17						
93500-03008-0G	1-C8	1-17						
93500-05035-0A	1-D3	1-23						
93500-05045-0A	1-D3	1-23						
93904-25320	1-E2	2-4						
93911-24410	1-E1	2-3						
94001-06390-0S	1-E1	2-3						
94002-05390-0S	1-E2	2-4						
94050-04000	1-E1	2-3						
94050-06000	1-D1	1-19						
	1-D3	1-23						
94050-08000	1-D2	1-20						
	1-D2	1-21						
	1-E3	2-7						
94050-10000	1-C2	1-5						
	1-E3	2-7						
94101-05800	1-E2	2-4						
94101-06800	1-C3	1-7						
	1-E1	2-3						
94109-12000	1-C2	1-5						
94111-05800	1-E2	2-5						
94111-06800	1-E1	2-3						
94251-10000	1-C2	1-5						
94301-12200	1-C1	1-3						
94305-20122	1-C8	1-17						
95001-45003-60M	1-D2	1-21						
95002-02080	1-D2	1-21						
95005-11001-30M	1-C1	1-3						
95700-08016-00	1-E3	2-7						
95701-06010-00	1-E3	2-7						
95701-06012-00	1-C2	1-5						
95701-08016-00	1-E3	2-7						
95701-08025-00	1-D2	1-21						
95701-08035-00	1-C3	1-7						
95701-08040-00	1-C3	1-7						
95701-10080-00	1-C1	1-3						

# **Description**

# **Index**

# DESCRIPTION INDEX

Description	Grid	Page	Ref	Description	Grid	Page	Ref
<b>(A)</b>				BOLT-WASHER (6X45) .....	1-E1	2-3	21
ALERT UNIT, OIL .....	1-C2	1-5	17	BOX ASSY., CONTROL .....	1-E1	2-2	6
ARM, GOVERNOR .....	1-D3	1-23	1	BRUSH ASSY. ....	1-E2	2-4	1
	1-D3	1-23	2	BULK HOSE, FUEL (4.5X3000) (4.5X222) .....	1-D2	1-21	9
ARM, VALVE ROCKER .....	1-C6	1-12	3	BULK HOSE, FUEL (4.5X3000) (4.5X235) .....	1-D2	1-21	9
ARRESTER, SPARK .....	1-D2	1-20	6	BULK HOSE, VACUUM (11X1000) (11X100) .....	1-C1	1-3	13
	1-D2	1-20	7	BULK HOSE, VACUUM (11X1000) (11X105) .....	1-C1	1-3	13
<b>(B)</b>				<b>(C)</b>			
BAR A, HANDLE .....	1-E3	2-7	12	CABLE, GROUND .....	1-E3	2-7	1
	1-E4	2-8	12	CAMSHAFT ASSY. ....	1-C6	1-12	1
BAR, FRAME JOINT *NH105* (MAT BLACK) .....	1-E3	2-7	3	CAP ASSY., NOISE SUPPRESSOR .....	1-D3	1-22	4
BEARING ASSY. (6204) .....	1-E3	2-6	10	CAP, FUEL FILLER .....	1-D2	1-21	4
BEARING, RADIAL BALL (6202) .....	1-C2	1-5	16	CAP, OIL FILLER .....	1-C3	1-6	5
	1-C3	1-7	18	CARBURETOR ASSY. (BE70E B) .....	1-C7	1-15	9
BEARING, RADIAL BALL (6206) .....	1-C3	1-7	19	CARBURETOR ASSY. (BE80D B) .....	1-C7	1-15	9
	1-C4	1-8	4	CASE, RECOIL STARTER *NH1* (BLACK) .....	1-E4	2-9	2
BEARING, RADIAL BALL (6207) .....	1-C3	1-7	19	CASE, RECOIL STARTER *NH1* (BLACK) (BLACK) ...	1-E4	2-9	2
	1-C4	1-8	4	CHAMBER SET, FLOAT .....	1-C7	1-15	4
BOLT 2, STUD (8X32) .....	1-C1	1-2	10	CHOKE SET .....	1-C7	1-15	8
BOLT, CONNECTING ROD .....	1-C5	1-11	6	CLIP, GOVERNOR HOLDER .....	1-C3	1-7	12
BOLT, DRAIN PLUG .....	1-C2	1-4	7	CLIP, PISTON PIN (18MM) .....	1-C5	1-11	7
BOLT, FLANGE (10X80) .....	1-C1	1-3	14	CLIP, PISTON PIN (20MM) .....	1-C5	1-11	7
BOLT, FLANGE (5X10) .....	1-C3	1-7	11	CLIP, TUBE .....	1-C7	1-14	1
BOLT, FLANGE (6X10) .....	1-E3	2-7	9	CLIP, TUBE (B8) .....	1-D2	1-21	10
	1-E5	2-10	14	CLIP, VALVE GUIDE .....	1-C1	1-2	4
BOLT, FLANGE (6X100) .....	1-E2	2-4	11	CLIP, WIRE HARNESS .....	1-C7	1-14	8
BOLT, FLANGE (6X12) .....	1-C2	1-5	15	COIL ASSY., IGNITION .....	1-D3	1-22	3
BOLT, FLANGE (6X12) (CT200) .....	1-C2	1-4	6	COLLAR, AIR CLEANER .....	1-D1	1-18	7
	1-C2	1-5	18	COLLAR B, AIR CLEANER .....	1-D1	1-18	8
	1-C7	1-14	7	COLLAR, CABLE CLAMP .....	1-E1	2-3	12
	1-D3	1-23	10	COLLAR, CONTROL BOX .....	1-E1	2-3	19
BOLT, FLANGE (6X135) .....	1-E2	2-4	11		1-E1	2-3	28
BOLT, FLANGE (6X28) .....	1-D3	1-22	6	COLLAR, SET .....	1-C7	1-15	12
BOLT, FLANGE (8X16) .....	1-E3	2-7	10	CONTROL ASSY. ....	1-D3	1-23	6
BOLT, FLANGE (8X25) .....	1-D2	1-21	11		1-D3	1-23	7
BOLT, FLANGE (8X35) .....	1-C3	1-7	17	COVER, AIR CLEANER (DUAL) .....	1-D1	1-18	4
BOLT, FLANGE (8X40) .....	1-C3	1-7	17	COVER, AIR CLEANER (STD) .....	1-D1	1-18	4
BOLT, GOVERNOR ARM .....	1-D3	1-23	11	COVER ASSY., CRANKCASE .....	1-C3	1-6	2
BOLT, HEAD COVER .....	1-C1	1-2	8	COVER ASSY., CRANKCASE (E-TYPE) .....	1-C3	1-6	2
BOLT, HEX. (10X190) .....	1-E3	2-6	7	COVER, CONTROL BOX .....	1-E1	2-2	7
BOLT, HEX. (10X225) .....	1-E3	2-6	7	COVER, CONTROL BOX (LOWER) .....	1-E1	2-3	27
BOLT, HEX. (5X20) .....	1-E2	2-4	7	COVER, DUCT .....	1-C3	1-6	3
BOLT, HEX. (6X22) .....	1-E1	2-3	13	COVER, FAN *NH1* (BLACK) .....	1-C7	1-14	2
BOLT, PIVOT (8MM) .....	1-C6	1-13	15	COVER, GENERATOR END *NH1* (BLACK) .....	1-E2	2-4	3
BOLT, STUD .....	1-C1	1-2	10	COVER, HEAD .....	1-C1	1-2	6
BOLT, STUD (8X123) .....	1-C1	1-2	9	COVER, STATOR .....	1-E3	2-6	3
BOLT, STUD (8X131.5) .....	1-C1	1-2	9	CRANKSHAFT (E-TYPE) .....	1-C4	1-8	1
BOLT-WASHER (5X135) .....	1-E3	2-6	6	CUP, FUEL STRAINER .....	1-C8	1-17	23
BOLT-WASHER (5X170) .....	1-E3	2-6	6	CYLINDER ASSY. ....	1-C2	1-4	1
BOLT-WASHER (6X22) .....	1-D1	1-19	11	CYLINDER ASSY. (ALERT) .....	1-C2	1-4	1
BOLT-WASHER (6X25) .....	1-E1	2-3	20	CYLINDER HEAD .....	1-C1	1-2	1

# DESCRIPTION INDEX

Description	Grid	Page	Ref	Description	Grid	Page	Ref
<b>(E)</b>				JET, MAIN (#88) .....	1-C8	1-17	26
ELBOW, AIR CLEANER .....	1-D1	1-18	9	JET, MAIN (#90) .....	1-C8	1-17	26
ELEMENT, AIR CLEANER .....	1-D1	1-18	2	JET, MAIN (#92) .....	1-C8	1-17	26
ELEMENT, AIR CLEANER (DUAL) .....	1-D1	1-18	2	JET, MAIN (#95) .....	1-C8	1-17	26
<b>(F)</b>				JET SET, PILOT (#35) .....	1-C8	1-17	27
FAN, COOLING .....	1-D3	1-22	1	JET SET, PILOT (#40) .....	1-C8	1-17	27
FAN, GENERATOR COOLING .....	1-E3	2-6	1	JOINT, FUEL TANK .....	1-D2	1-21	2
FILTER, FUEL .....	1-D2	1-21	6	<b>(K)</b>			
FILTER (OUTER) .....	1-D1	1-18	3	KEY, SPECIAL WOODRUFF (25X18) .....	1-C4	1-8	3
FLOAT SET .....	1-C7	1-15	3	<b>(L)</b>			
FLYWHEEL .....	1-D3	1-22	5	LABEL, CONNECT WARNING (ENGLISH) .....	1-E5	2-11	8
FRAME *NH105* (MAT BLACK) .....	1-E3	2-7	2	LABEL, RAIN WARNING (ENGLISH) .....	1-E5	2-11	3
<b>(G)</b>				LEVER, CHOKE (STD) .....	1-C8	1-16	18
GASKET, CARBURETOR .....	1-C8	1-16	16	LEVER, VALVE .....	1-C8	1-16	19
GASKET, CASE COVER .....	1-C3	1-6	4	LIFTER, VALVE .....	1-C6	1-12	4
GASKET, CYLINDER HEAD .....	1-C1	1-2	5	<b>(M)</b>			
GASKET, CYLINDER HEAD COVER .....	1-C1	1-2	7	MARK, CAUTION (CO)(ENGLISH/FRENCH)(SPANISH) .....	1-E5	2-11	7
GASKET, ELBOW .....	1-D1	1-18	1	MARK, CAUTION (ENGLISH/FRENCH)(SPANISH) ....	1-E5	2-11	4
GASKET, EX. PIPE .....	1-D2	1-20	5	MARK, CHOKE (EXTERNAL) .....	1-E5	2-11	5
GASKET, EX. PIPE (WACKER) .....	1-D2	1-20	5	MARK, EMBLEM .....	1-E5	2-11	1
GASKET, FUEL FILLER CAP .....	1-D2	1-21	5	MARK, OIL ALERT (E) .....	1-E5	2-11	6
GASKET, FUEL STRAINER CUP .....	1-C8	1-16	13	MARK, OIL CAUTION .....	1-E5	2-11	9
GASKET, INSULATOR .....	1-C8	1-16	17	MARK, PROTECTOR (ON/OFF) .....	1-E1	2-2	10
GASKET KIT .....	1-D4	1-24	1	MARK, SWITCH PANEL (EZ-A) .....	1-E1	2-2	9
GASKET, MUFFLER (ARRESTER) .....	1-D2	1-20	8	MUFFLER .....	1-D2	1-20	1
GASKET SET .....	1-C7	1-15	1	MUFFLER (SILENT) .....	1-D2	1-20	1
GASKET, VALVE .....	1-C8	1-16	22	<b>(N)</b>			
GOVERNOR ASSY. ....	1-C3	1-6	6	NOSE, MUFFLER .....	1-D1	1-18	6
GOVERNOR ASSY. (STD) .....	1-C3	1-6	6	NOZZLE, MAIN .....	1-C7	1-15	11
GRIP, REINFORCEMENT .....	1-E5	2-10	12	NUT, FLANGE (10MM) .....	1-C2	1-5	12
GRIP, STARTER .....	1-E4	2-9	10	.....	1-E3	2-7	8
GROMMET, AIR CLEANER .....	1-D1	1-18	5	NUT, FLANGE (4MM) .....	1-E1	2-3	24
GROMMET, CRANKCASE .....	1-E3	2-6	9	NUT, FLANGE (6MM) .....	1-D1	1-19	12
GROMMET, MAIN WIRE .....	1-E1	2-2	3	.....	1-D3	1-23	14
GROMMET, WIRE .....	1-C2	1-4	4	NUT, FLANGE (8MM) .....	1-D2	1-20	11
GUIDE, EX. VALVE (OS) .....	1-C1	1-2	3	.....	1-D2	1-21	8
GUIDE, VALVE (OS) .....	1-C1	1-2	2	.....	1-E3	2-7	7
<b>(H)</b>				NUT, HEX. (5MM) .....	1-E2	2-4	14
HOLDER, GOVERNOR WEIGHT .....	1-C3	1-6	8	NUT, HEX. (6MM) .....	1-E1	2-3	23
HOUSING, RR. ....	1-E2	2-4	2	NUT, PIVOT ADJ. ....	1-C6	1-13	16
<b>(I)</b>				NUT, SPECIAL (16MM) .....	1-D3	1-22	7
INSULATOR, CARBURETOR .....	1-C8	1-16	14	NUT, SPECIAL (16MM) (1) .....	1-D3	1-22	7
<b>(J)</b>				<b>(O)</b>			
JET, MAIN (#82) .....	1-C8	1-17	26	OIL SEAL (30X46X8) .....	1-C2	1-5	9
JET, MAIN (#85) .....	1-C8	1-17	26	.....	1-C3	1-7	14

# DESCRIPTION INDEX

Description	Grid	Page	Ref	Description	Grid	Page	Ref
OIL SEAL (35X52X8) .....	1-C2	1-5	9	RING SET, PISTON (OS 0.25) (TEIKOKU) .....	1-C4	1-9	1
	1-C3	1-7	14	RING SET, PISTON (OS 0.50) .....	1-C4	1-9	1
OIL SEAL (8X14X5) .....	1-C2	1-5	10		1-C5	1-10	1
O-RING (13.5X1.5) (ARAI) .....	1-C2	1-5	11	RING SET, PISTON (OS 0.50) (NIPPON) .....	1-C4	1-9	1
	1-D2	1-21	7	RING SET, PISTON (OS 0.50) (TEIKOKU) .....	1-C4	1-9	1
O-RING (26X2.7) .....	1-C3	1-7	15	RING SET, PISTON (STD) .....	1-C4	1-9	1
					1-C5	1-10	1
<b>(P)</b>				RING SET, PISTON (STD) (NIPPON) .....	1-C4	1-9	1
PANEL, FR. (EZ-A) .....	1-E1	2-2	8	RING SET, PISTON (STD) (TEIKOKU) .....	1-C4	1-9	1
PIN A, DOWEL (12X20) .....	1-C1	1-3	12	ROD ASSY., CONNECTING (STD) .....	1-C5	1-10	5
PIN, DOWEL (8X12) .....	1-C3	1-7	13		1-C5	1-11	5
PIN, GOVERNOR WEIGHT .....	1-C3	1-6	9	ROD, GOVERNOR .....	1-D3	1-23	3
PIN, LOCK (10MM) .....	1-C2	1-5	14	ROD, PUSH .....	1-C6	1-12	2
PIN, PISTON .....	1-C5	1-10	4	ROPE, RECOIL STARTER (#5X55") .....	1-E4	2-9	11
PIN, SPRING (2X12) .....	1-C8	1-17	25	ROPE, RECOIL STARTER (#6X64") .....	1-E5	2-10	11
PIPE, EX. ....	1-D2	1-20	4	ROTATOR, VALVE .....	1-C6	1-13	13
PISTON (0.75) .....	1-C5	1-10	2	ROTOR .....	1-E3	2-6	4
	1-C5	1-10	3	RUBBER, CONTROL BOX .....	1-E1	2-3	17
PISTON (OS 0.25) .....	1-C5	1-10	2		1-E1	2-3	18
	1-C5	1-10	3	RUBBER (LOWER) .....	1-E3	2-7	4
PISTON (OS 0.50) .....	1-C5	1-10	2		1-E3	2-7	5
	1-C5	1-10	3	RUBBER, SUPPORTER (107MM) .....	1-D2	1-21	1
PISTON (STD) .....	1-C5	1-10	2				
	1-C5	1-10	3	<b>(S)</b>			
PIVOT, ROCKER ARM .....	1-C6	1-12	5	SCREW, CENTER .....	1-E5	2-10	13
PLATE, CAUTION .....	1-E5	2-11	2	SCREW, PAN (3X6) .....	1-C8	1-17	24
PLATE, LEVER SETTING .....	1-C8	1-16	20	SCREW, PAN (3X8) .....	1-C8	1-17	24
PLATE, PUSH ROD GUIDE .....	1-C6	1-13	14	SCREW, PAN (5X12) .....	1-E2	2-4	10
PROTECTOR, CIRCUIT (13A) .....	1-E1	2-2	11	SCREW, PAN (5X35) .....	1-D3	1-23	12
PROTECTOR, CIRCUIT (19A) .....	1-E1	2-2	11	SCREW, PAN (5X45) .....	1-D3	1-23	13
PROTECTOR, L. MUFFLER .....	1-D2	1-20	3	SCREW SET .....	1-C7	1-15	5
PROTECTOR, L. MUFFLER (SILENT) .....	1-D2	1-20	3	SCREW SET B .....	1-C7	1-15	7
PROTECTOR, R. MUFFLER .....	1-D2	1-20	2	SCREW SET, DRAIN .....	1-C7	1-15	6
PROTECTOR, R. MUFFLER (SILENT) .....	1-D2	1-20	2	SCREW, SPECIAL (4X7.5) .....	1-E1	2-3	14
PULLEY, RECOIL STARTER .....	1-E4	2-9	3	SCREW, TAPPING (4X16) .....	1-E1	2-3	22
PULLEY, STARTER .....	1-D3	1-22	2	SCREW, TAPPING (5X12) .....	1-E2	2-4	8
					1-E2	2-4	9
<b>(R)</b>					1-E3	2-6	5
RATCHET, STARTER .....	1-E4	2-9	4	SCREW, TAPPING (5X16) .....	1-E2	2-4	13
RECEPTACLE (20A-125V) .....	1-E1	2-2	4	SCREW, TAPPING (5X18) .....	1-E2	2-4	6
RECEPTACLE (20A-125/250V) .....	1-E1	2-2	5	SCREW, TAPPING (5X8) .....	1-D2	1-20	9
REGULATOR ASSY., AUTOMATIC VOLTAGE .....	1-E2	2-4	5		1-D2	1-20	10
RETAINER, EX. VALVE SPRING .....	1-C6	1-13	11	SCREW, THROTTLE STOP .....	1-C7	1-15	10
RETAINER, IN. VALVE SPRING .....	1-C6	1-13	10	SEAL, VALVE STEM .....	1-C6	1-13	17
RETAINER, SPRING .....	1-E4	2-9	8	SEAT, VALVE SPRING .....	1-C6	1-13	12
RING SET, PISTON (0.75) .....	1-C4	1-9	1	SHAFT, GOVERNOR ARM .....	1-C2	1-4	3
	1-C5	1-10	1	SHROUD .....	1-C7	1-14	3
RING SET, PISTON (0.75) (NIPPON) .....	1-C4	1-9	1	SLIDER, GOVERNOR .....	1-C3	1-7	10
	1-C5	1-10	1	SPACER, CARBURETOR .....	1-C8	1-16	15
RING SET, PISTON (0.75) (TEIKOKU) .....	1-C4	1-9	1	SPARK PLUG (BPR5ES) (NGK) .....	1-C1	1-3	15
RING SET, PISTON (OS 0.25) .....	1-C4	1-9	1	SPARK PLUG (W16EPR-U) (DENSO) .....	1-C1	1-3	15
	1-C5	1-10	1	SPRING, CONTROL ADJUSTING .....	1-D3	1-23	9
RING SET, PISTON (OS 0.25) (NIPPON) .....	1-C4	1-9	1	SPRING, FRICTION .....	1-E4	2-9	5
				SPRING, GOVERNOR .....	1-D3	1-23	4
				SPRING, RATCHET .....	1-E4	2-9	7

# DESCRIPTION INDEX

Description	Grid	Page	Ref	Description	Grid	Page	Ref
SPRING, STARTER RETURN .....	1-E4	2-9	6				
SPRING, THROTTLE RETURN .....	1-D3	1-23	5				
SPRING, VALVE .....	1-C6	1-13	9				
SPRING, VALVE LEVER .....	1-C8	1-16	21				
SPRING, WEIGHT RETURN .....	1-C6	1-12	6				
STARTER ASSY., RECOIL *NH1* (BLACK) .....	1-E4	2-9	1				
STATOR ASSY. ....	1-E3	2-6	2				
SUB-HARNESS .....	1-C2	1-4	5				
	1-C7	1-14	4				
SWITCH ASSY., ENGINE STOP .....	1-C7	1-14	5				
SWITCH ASSY., OIL LEVEL .....	1-C2	1-4	2				
<b>(T)</b>							
TANK, FUEL *R8* (BRIGHT RED) .....	1-D2	1-21	3				
TERMINAL SET, GROUND .....	1-E1	2-2	1				
TERMINAL, VOLT CHANGE .....	1-E2	2-4	4				
TIE, CABLE .....	1-E1	2-3	16				
	1-E2	2-4	12				
<b>(V)</b>							
VALVE, EX. (STELITE) .....	1-C6	1-12	8				
VALVE, IN. ....	1-C6	1-12	7				
VALVE SET, FLOAT .....	1-C7	1-15	2				
<b>(W)</b>							
WASHER (10.5MM) .....	1-E3	2-6	8				
WASHER (8.2X17X0.8) .....	1-C2	1-5	8				
WASHER, CROWN .....	1-E1	2-3	15				
WASHER, DRAIN PLUG (12MM) .....	1-C2	1-5	13				
WASHER, HEAD COVER .....	1-C1	1-2	11				
WASHER, LOCK (6MM) .....	1-E3	2-7	6				
WASHER, PLAIN (5MM) .....	1-E2	2-4	15				
WASHER, PLAIN (6MM) .....	1-C3	1-7	16				
	1-E1	2-3	25				
WASHER, SPRING (5MM) .....	1-E2	2-5	16				
WASHER, SPRING (6MM) .....	1-E1	2-3	26				
WEIGHT, BALANCER .....	1-C4	1-8	2				
WEIGHT, GOVERNOR .....	1-C3	1-6	7				
WINGNUT, TOOL BOX SETTING .....	1-D1	1-18	10				
WIRE HARNESS ASSY. (EZ-A) .....	1-E1	2-2	2				
WIRE, STOP SWITCH (430MM) .....	1-C7	1-14	6				
WRENCH, BOX (P21) .....	1-E3	2-7	11				