

POWER SPRAYER

**WJR1525
WJR2525**

PARTS CATALOGUE

2



WJR2525

FOREWORD INDEX

1

ENGINE GROUP

2

FRAME GROUP

3

PART NUMBER INDEX

4

PART NAME INDEX

5

Instruction for use of parts catalogue

- **This parts catalogue was prepared based on the latest information available as of March 10, 2004.**
 - See the parts catalogue news for any revision that is made after March 10, 2004.
- **Always specify the part number when ordering a part.**
 - Check the model, type, serial numbers, color, maker, and the size as needed before ordering a part.
 - Note that the illustrations (part drawings) can differ from the actual parts in shape. They are given just to help you to refer to the parts.
- **When modifications or additions to this parts catalogue are made, a revised edition will be issued at an appropriate time, with successively progressing revision numbers on the cover. We recommend obtaining such revisions in order to keep your parts catalogue up-to-date at all times. To check whether a parts catalogue revision has been issued, please contact your Honda distributor.**

Initial version issue date **November 20, 2003**
Honda Motor Co., Ltd.

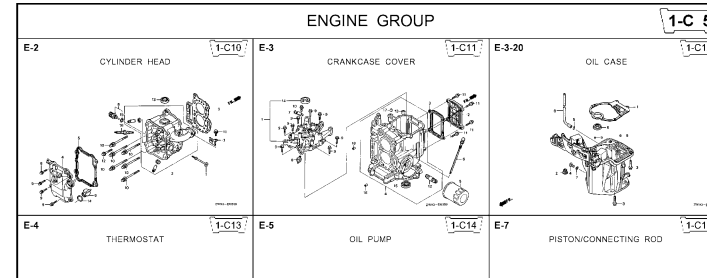
CONTENTS

	Page	Address No.	
● How to refer to the part information	2	B 2	1
● Part catalogue structure	3	B 3	
● When the parts were revised	4	B 4	
● Abbreviations used in the parts catalogue.....	4	B 4	
● How to check the part block and serial numbers.....	5	B 5	
● Models, parts catalogue codes and applicable serial numbers	6	B 6	
● Fuel hose, general purpose hoses and vinyl hose.....	7	B 7	
● How to use the flat rate time (F.R.T.)	8	B 8	
● Illustrated index	10	B10	
● ENGINE GROUP.....	14	C 1	2
● FRAME GROUP.....	28	D 1	3
● PART NO. INDEX.....	44	E 1	4
● PART NAME INDEX.....	46	F 1	5



How to refer to the part information

A Reference with "Illustrated index"



B Reference with "Part number index"

PART NO. INDEX

Part Number	Address	Page	Ref.	Part Number	Address	Page
06000				15212-ZW9-000	1-C14	3C
06316-ZW9-000	1-G9	88	1	15220-ZW9-003	1-C14	3C
11000				15332-ZW9-000	1-E8	55
11300-ZW9-405	1-C11	27	1	15332-ZW9-A30	1-E11	5E
11300-ZW9-406	1-C11	27	1	15400-PFB-004	1-C11	27
11340-ZW9-000	1-C11	27	2	15422-ZW9-000	1-C14	3C
11342-ZW9-000	1-C11	27	3	15473-881-000	1-C14	3C
11381-ZW9-003	1-C12	28	1	15474-ZW9-000	1-C14	3C
				15611-921-000	1-C10	2E
				15655-ZW9-000	1-C11	27
				16000		
12000				16010-ZV4-005	1-D4	3E
12000-ZW9-405ZA	1-C11	27	4	16011-ZV4-005	1-D4	3E
12155-ZV4-A00	1-C13	29	1	16013-ZW9-003	1-D4	3E
12166-ZW9-000	1-C10	26	1	16016-ZW9-003	1-D4	3E
12209-GB4-681	1-C16	32	1	16016-ZW9-721	1-D4	3E
12210-ZW9-405ZA	1-C10	26	2	16023-ZW9-003	1-D4	3E
12216-ZE2-300	1-E8	55	1	16024-ZV4-650	1-D4	3E
	1-E11	58	1	16028-ZV4-650	1-D4	3E

C Reference with "Part name index"

PART NAME INDEX

Part name	Address	Page	Ref.
[A]			
ABSORBER, FUEL	1-E15	62	5
ARMATURE COMP.	1-D11	43	7
ARM COMP., LINK JOINT	1-G6	85	18
ARM COMP., SHIFT LINK	1-G6	85	14
ARM COMP., TILT	1-F15	79	20
ARM, FUEL PUMP ROCKER	1-C16	32	4
ARM, REVERSE LOCK	1-F15	79	18
ARM, SHIFT LINK	1-F11	74	7
ARM, STOPPER	1-D1	33	12
ARM, THROTTLE REMOTE	1-F11	74	6
ARM, VALVE ROCKER	1-C16	32	3
[B]			
BAG, TOOL, 160MM	1-G5	84	10
BAND	1-G6	86	37
BAND B1, WIRE	1-F6	69	1
BAND, CORD	1-F3	67	18
BAND, TUBE CLIP, 11MM	1-E15	63	20
BAND, TUBE CLIP, 12.5MM	1-E15	63	19

Address No. 1-C10

E-2 CYLINDER HEAD

Block No.

Ref No.

Ref. No.	Part No.	Description	Reqd. QTY						Serial No.	Parts catalogue code
			BF 9901	BFP 9901	BF 1001	BFP 1001	BF 10B1	BFP 10B1		
1	12166-ZW9-000	STOPPER, ENGINE SIDE	2	2	2	2	2			
2	12210-ZW9-000ZA	HEAD COMP., CYLINDER	1	1	1	1	1			
3	12251-ZW9-003	GASKET, CYLINDER HEAD	1	1	1	1	1			
4	12310-ZW9-000	COVER COMP., HEAD	1	1	1	1	1			
5	12312-ZW9-000	PACKINGS, HEAD COVER	1	1	1	1	1			
6	15611-921-000	CAP, OIL (NO GAUGE)	1	1	1	1	1			
7	16617-ZW9-000	HOLDER, CABLE	1	1	1	1	1	SC,SG		
	16617-ZW9-010		1	1	1	1	1	1001800	LHC,LHD	
			1	1	1	1	1	1001801	LHC,LHD	
8	35673-ZW5-003	SENSOR ASSY., WATER	1	1	1	1	1			
9	90003-ZW9-000	BOLT, FLANGE, 6X22	4	4	4	4	4			
10	90007-ZW9-003	BOLT, FLANGE, 8X83	6	6	6	6	6			
11	90011-ZW9-000	BOLT, FLANGE, 6X14(CT200)	1	1	1	1	1			
12	90020-ZW9-000	BOLT, FLANGE, 8X40	2	2	2	2	2			
13	91002-K19-003	OIL SEAL, 20X32X6	1	1	1	1	1			
14	91301-805-000	O-RING, 26X2.7	1	1	1	1	1			
15	91307-PK2-005	O-RING, 9.5X1.5(HONDA KIKAKI)	1	1	1	1	1			
16	98059-55916	PLUG, SPARK (CR5EH-9)	2	2	2	2	2			
	98059-55926	PLUG, SPARK (U16FER9)	2	2	2	2	2			

Service item F.R.T.

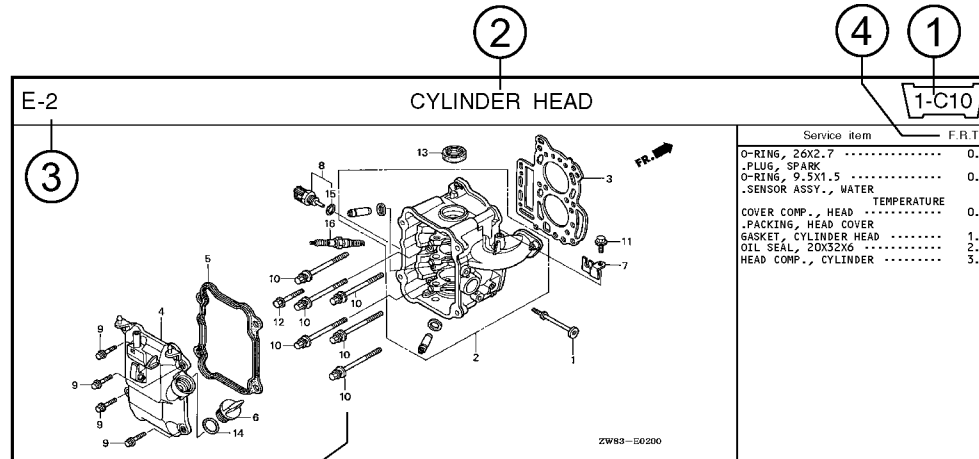
- O-RING, 26X2.7 0.1
- PLUG, SPARK 0.2
- O-RING, 9.5X1.5 0.2
- SENSOR ASSY., WATER TEMPERATURE 0.3
- COVER COMP., HEAD 0.3
- PACKING, HEAD COVER 1.8
- GASKET, CYLINDER HEAD 2.4
- OIL SEAL, 20X32X6 2.4
- HEAD COMP., CYLINDER 3.1

ZW83-ED200

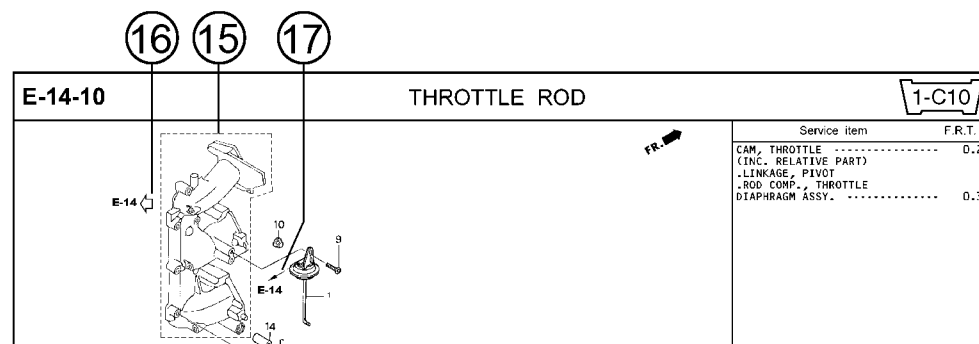
Page No.

2000.09.20 E

Part catalogue structure



Ref. No.	Part No.	Description	Reqd. QTY						Serial No.	Parts catalogue code
			BF 9/9D1	BFP 9/9D1	BF 10D1	BFP 10D1	BF 10B1	BFP 10B1		
1	12166-zw9-000	STOPPER, ENGINE SIDE	2	2	2	2	2	2		
2	12210-zw9-000ZA	HEAD COMP., CYLINDER *NHS*	1	1	1	1	1	1		
3	12251-zw9-003	GASKET, CYLINDER HEAD	1	1	1	1	1	1		
4	12310-zw9-000	COVER COMP., HEAD	1	1	1	1	1	1		
5	12312-zw9-000	PACKING, HEAD COVER	1	1	1	1	1	1		
6	15611-921-000	CAP, OIL (NO GAUGE)	1	1	1	1	1	1		
7	16617-zw9-000	HOLDER, CABLE	1	1	1	1	1	1	SC,SG	
	16617-zw9-010		1	1	1	1	1	1	1001800 LHC,LHD	



① Address number

- Address No. is provided (in place of the page No.) to help you refer to the part with the part No. or part name.

② Block title ③ Block number

④ Service item/Flat rate time

⑤ Reference number

- Title number marked with the parenthesis or parentheses indicates that it continues from the previous page.

⑥ Part number ⑦ Honda color code

⑧ Description

⑨ Assemblies

- Sections framed with broken lines in the exploded view drawings are available as complete assemblies. (Their individual parts can also be obtained.)

⑩ Color description

⑪ Note

- Notes are shown with the parentheses in the part name column.

⑫ Required quantity

- Required QTY shown in the parenthesis or parentheses indicates the optional part.
- Required QTY marked with "N" Indicates the optional part that should be selected as needed.
- Required QTY indicates the number of the part used in the block.

⑬ Serial number

⑭ Type

- When the type column is blank, it indicates that the part is applicable to all types.
- As the type of the actual unit may differ from the "parts catalogue, type" please refer to "Models, types and applicable serial numbers" for confirmation.

⑮

- Parts enclosed within a dotted line are covered in a different block.

⑯

- A hollow arrow indicates the block No. for the parts enclosed within a dotted line .

⑰

- A solid arrow indicates the block No. the part in question is connected to.

When the parts were revised

Abbreviations used in the parts catalogue

1



Be sure to check the serial number!!



Ref. No.	Part No.	Description	Reqd. QTY						Serial No.
			BF 9.9D1	BFP 9.9D1	BF 10D1	BFP 10D1	BF 10B1	BFP 10B1	
1	12166-ZW9-000	STOPPER, ENGINE SIDE	2	2	2	2	2	2	
2	12210-ZW9-000ZA	HEAD COMP., CYLINDER							
		NH8.....DARK GRAY	1	1	1	1	1	1	
3	12251-ZW9-003	GASKET, CYLINDER HEAD	1	1	1	1	1	1	
4	12310-ZW9-000	COVER COMP., HEAD	1	1	1	1	1	1	
5	12312-ZW9-000	PACKING, HEAD COVER	1	1	1	1	1	1	
6	15611-921-000	CAP, OIL (NO GAUGE)	1	1	1	1	1	1	
7	16617-ZW9-000	HOLDER, CABLE (###)	1	1	1	1	1	1	
	16617-ZW9-010		1	1	1	1	1	1	



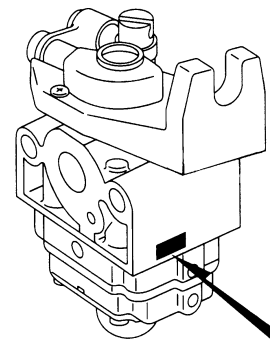
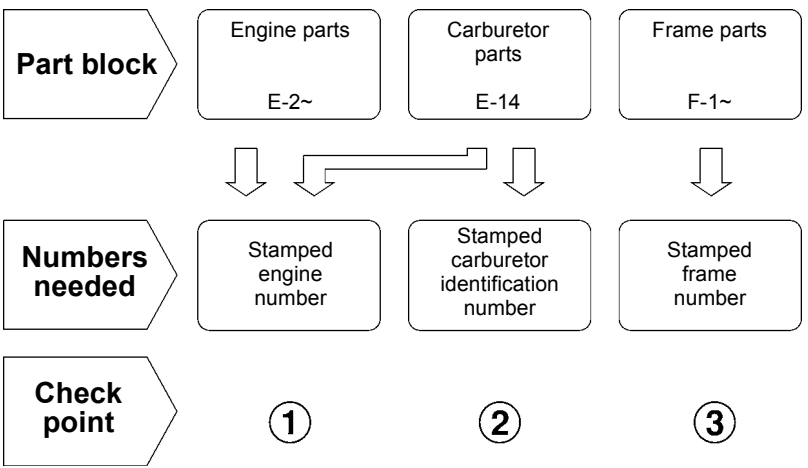
The number has been used from the initial model without revision. When shown at the left side, it is applicable to the models of No.1001801 and the subsequent numbers. When shown at the right side, it is applicable to the models up to No.1001800.

• The parts listed with "###" at the end of the parts name have limited supply period (parts not for sale).

• The following abbreviations are used in the parts name column.

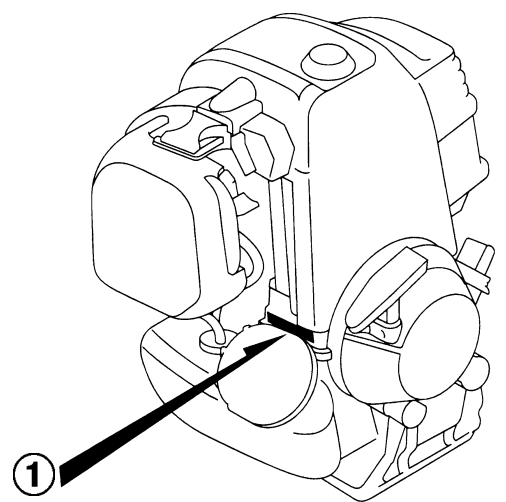
- | | |
|--|-----------------------------|
| A Ampere | FR.Front |
| A.C. Alternating current | IN.Inlet |
| ASSY. Assembly | L (100L) .Link (100 Links) |
| AT. Automatic transmission | L.Left |
| C.D.I. Capacitive discharge ignition | MMMillimeter |
| COMP. ... Complete | MT.Manual Transmission |
| D.C. Direct current | P.T.O.Power take off |
| EX. Exhaust | R.Right |
| G.F.C.I ... Ground fault circuit interruptor | RR.Rear |
| HEX. Hexagonal | STD.Standard |
| H.S.T. Hydrostatic transmission | T (22T) ...Tooth (22 Teeth) |
| | VVolt |
| | WWatt |

How to check the part block and serial numbers

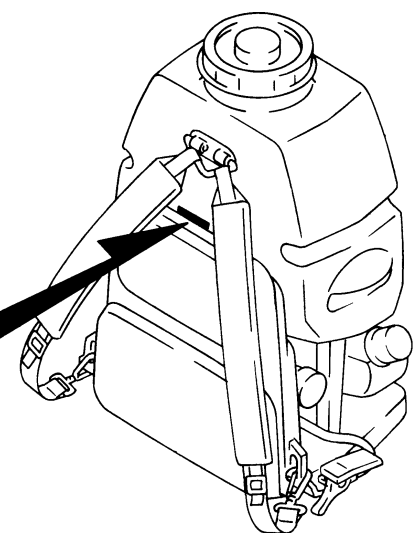


DYG9-B

②
CARBURETOR IDENTIFICATION NUMBER



①
ENGINE SERIAL NUMBER
DYG9-A



③
FRAME SERIAL NUMBER

DYG9-C

Models, parts catalogue codes and applicable serial numbers

1

- Models, parts catalogue codes and applicable serial Nos. given in this parts catalogue can be identified as follows.

Model	Type	Parts catalogue type	Engine		Applicable engine serial No.	Applicable frame serial No.	Applicable carburetor identification No.
			Model	Type			
WJR1525	D	D	GX25	AY1	GCAAM-1200001~	WAKJ-1010001~	WYB 8
	E	E		AY2			WYB 6B
WJR2525	D	D		AY1	GCAAM-1000001~	WAMJ-1000001~	WYB 8
	E	E		AY2	GCAAM-1200001~	WAMJ-1010001~	WYB 6B

* Of carburetor identification numbers, only the portions underlined in the example below are used for registration.

WYB 8 KC †

Fuel hose, general purpose hoses and vinyl hose

- The standard part fuel hose, general purpose hose and vinyl hose may be substituted by the coiled bulk part.
- When ordering the standard part fuel hose, general purpose hose and vinyl hose use the bulk part number written in the parts catalog in brackets () underneath the part name.
- When exchanging the hose, cut and use at the specified length as mentioned in the part name.
(For the method of cutting the bulk part, and method of filling out orders etc., please refer to the instructions issued with the bulk part.)

Bulk part number of fuel hose, general purpose hose and vinyl hose.

Example: 9 5 0 0 1 - 7 5 0 0 1 - 5 0 M

Bulk part number:
Refers to the bulk part.

Marking code (fuel hose and general purpose hose)

Change code (Vinyl hose)

Indicates number mark or change sequence, however, the code for the bulk part must be strictly 0 (zero).

Types of code:

- | | | | | | |
|-------------|--|----------------|--|--------------|---|
| • Fuel hose | 2: Red outside braid
(3 mm inside dia. only) | • General hose | 1: Ash gray
2: Ash gray
3: Black
5: Black | • Vinyl hose | 1: Clear
2: Black
3: Light red
6: Light red
7: Pale black |
| | 5: Black inside braid | | | | |
| | 3: Red (3 mm inside dia. only) | | | | |
| | 4: Ash gray with red stripe
(3 mm inside dia. only) | | | | |
| | 6: Black | | | | |

Lengths:

- 001: 1 m (standard)
003: 3 m
008: 8 m } Application or specification of some parts is not settled.

I.D code: (fuel hose and general purpose hose)

- | | | | | |
|------------|--------------------|--------------------|-----------------------------|-----------------------------|
| 30: 3.0 mm | 50: 5.0 mm | 70: 7.0 mm | 11: 11 mm | 12: 12 (outside dia. 17) mm |
| 35: 3.5 mm | 55: 5.3 mm, 5.5 mm | 75: 7.3 mm, 7.5 mm | 91: 12 (outside dia. 15) mm | 14: 14 mm |
| 45: 4.5 mm | 65: 6.5 mm | 80: 8.0 mm | 92: 12 (outside dia. 16) mm | 17: 17 mm |

ID./OD. code: (vinyl hose)

- | | | | | |
|-------------------------|--------------------------|---------------------------|---------------------------|---------------------------|
| 01: ID. 2.9, OD. 6.8 mm | 12: ID. 5.0, OD. 7.0 mm | 21: ID. 8.0, OD. 9.0 mm | 37: ID. 11.0, OD. 15.0 mm | 50: ID. 16.0, OD. 19.0 mm |
| 03: ID. 3.0, OD. 6.0 mm | 10: ID. 5.0, OD. 8.0 mm | 23: ID. 8.0, OD. 12.0 mm | 38: ID. 12.0, OD. 13.0 mm | 55: ID. 17.5, OD. 20.5 mm |
| 05: ID. 3.5, OD. 6.5 mm | 11: ID. 5.0, OD. 9.0 mm | 25: ID. 9.0, OD. 11.0 mm | 39: ID. 12.0, OD. 14.0 mm | 60: ID. 22.0, OD. 27.0 mm |
| 07: ID. 4.0, OD. 7.0 mm | 14: ID. 6.0, OD. 9.0 mm | 27: ID. 9.0, OD. 13.0 mm | 40: ID. 12.0, OD. 16.0 mm | |
| 08: ID. 4.5, OD. 6.5 mm | 17: ID. 7.0, OD. 9.0 mm | 33: ID. 10.0, OD. 14.0 mm | 43: ID. 13.0, OD. 15.0 mm | |
| 09: ID. 4.5, OD. 8.0 mm | 19: ID. 7.0, OD. 11.0 mm | 36: ID. 11.0, OD. 13.0 mm | 45: ID. 14.0, OD. 18.0 mm | |

Hose type:

- 1: Fuel hose
3: Vinyl hose
5: General hose

⊙ **CAUTION: It is DANGEROUS to confuse the fuel hose with the general purpose hose or vinyl hose.**

Never use a general purpose hose or vinyl hose in place of a fuel hose or vice versa. Always use the correct bulk part in the parts catalogue, according to the service manual or the instructions issued with the bulk part.

How to use the flat rate time (F.R.T.)

This F.R.T. (Flat Rate Time) is used to determine the standard labor time allowed for replacement of parts covered by the warranty during the period the warranty is in effect. The F.R.T. for those parts which are not listed herein should be determined from the operation closely related to the replacement of that part.

1. The F.R.T. is based on the following servicing conditions

- a. A liberal allowance is added to the net servicing time.
- b. Standard times specified are based on the condition that the necessary servicing tools listed in the service manual which describes the Honda service policy are available close at hand and the work performed by a mechanic with normal skill.
- c. Time required for inspection and operational test following the servicing is included in the F.R.T.
- d. The F.R.T. for “•” marked parts are same as the F.R.T. for the representative part above.
- e. The F.R.T. shown with (*) includes engine removal and installation.

2. Method of computing

The job times are listed in tenth of an hour to simplify computation.

(Example) 0.3 = 18 minutes
5.6 = 5 hours and 36 minutes

CONVERSION CHART			
Hours	Minutes	Hours	Minutes
0.1	6	0.6	36
0.2	12	0.7	42
0.3	18	0.8	48
0.4	24	0.9	54
0.5	30	1.0	60

3. Computing the F.R.T.

The following are only examples and do not reflect the actual F.R.T. for this product.

When several jobs are performed at the same time, make the calculation in the following manner.

a. Jobs of non duplicated nature

The F.R.T. for the job is obtained by totalling the F.R.T. for each part replaced.

(Example) Replacement of head cover gasket and oil filter.

Service item	F.R.T.
Packing, cylinder head cover	0.5
Cartridge, oil filter	0.5

The F.R.T. for the job is: 0.5 + 0.5 = 1.0

b. Jobs of duplicated nature

Take the F.R.T. for the last part to be replaced.

(Example) Replacement of piston and cylinder head gasket.

Service item	F.R.T.
Gasket comp., cylinder head	3.0
Piston	*5.0

The F.R.T. for the job is: 5.0

c. Jobs of partially related nature

Total up the F.R.T. for all of the parts replaced and then subtract the F.R.T. for the duplicated operation (i.e., cylinder head gasket service).

(Example) Replacement of valve and cylinder head.

Service item	F.R.T.
Valve	*3.0
Head assy., cylinder	*4.0
Gasket comp., cylinder head	*2.5

The F.R.T. for the job is: (3.0 + 4.0) - 2.5 = 4.5

- The F.R.T. shown with (*) includes engine removal and installation.
- The parts, having the same number of man-hour, are identified by a mark “*”, and classified under the title of their representative work.

4. Adjustment, cleaning, removal and installation

Item	Service item	F.R.T.
Adjustment	Valve clearance	0.3
	Carburetor	0.2
	Throttle wire	0.1
Cleaning	Carburetor	0.4
	Air cleaner element	0.1
	Spark plug	0.1
Removal and installation	Engine, Pump	0.4
	Pump	*0.5

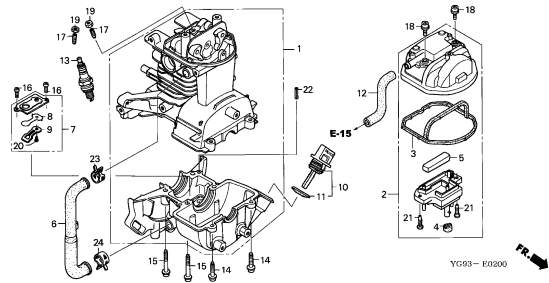
ENGINE GROUP

B10

E-2

CRANKCASE SET

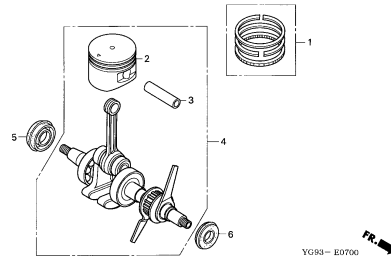
C 1



E-7

CRANKSHAFT/PISTON

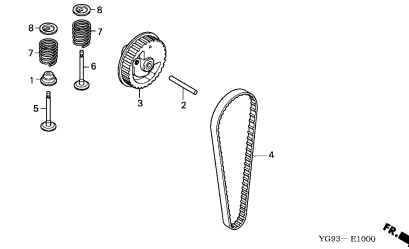
C 3



E-10

CAM PULLEY

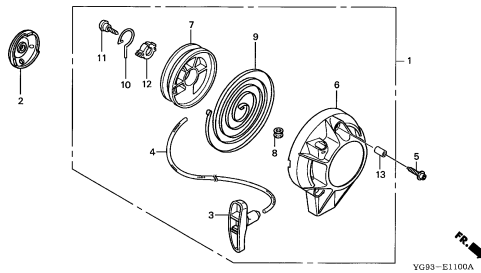
C 4



E-11

RECOIL STARTER

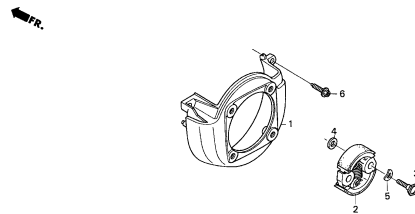
C 5



E-12

FAN COVER/CLUTCH

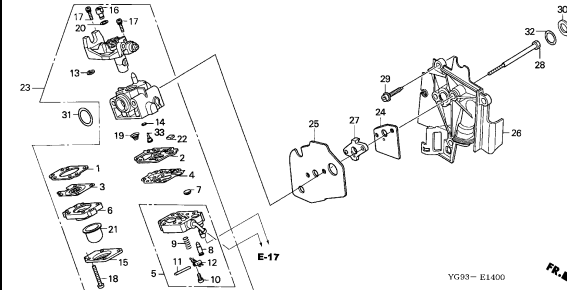
C 6



E-14

CARBURETOR

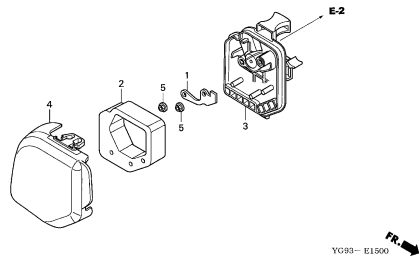
C 7



E-15

AIR CLEANER

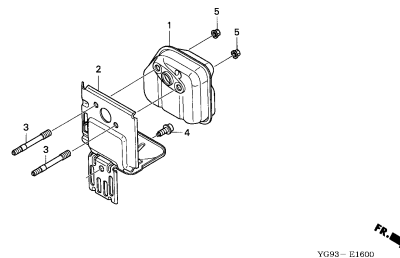
C 9



E-16

MUFFLER

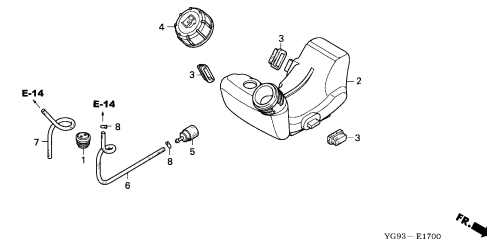
C10



E-17

FUEL TANK

C11



2

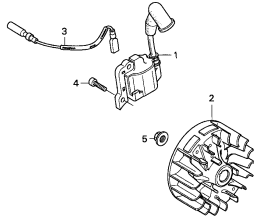
ENGINE GROUP

B11

E-19

FLYWHEEL

C12



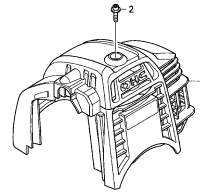
YG83 - E1900



E-27

TOP COVER

C13



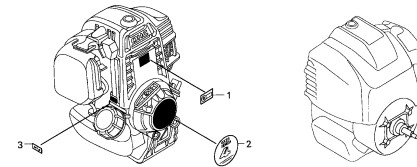
YG83 - E2700



E-28

LABEL

C14



YG83 - E2800

2

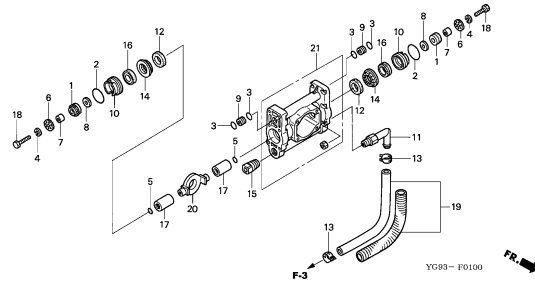
FRAME GROUP

B12

F-1

PUMP(WJR2525)(1)

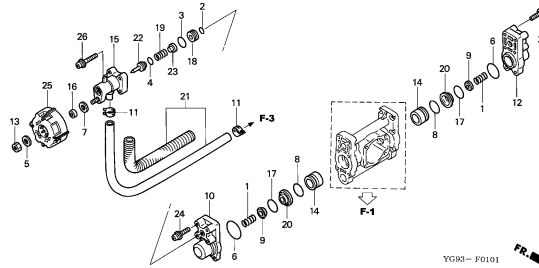
D 1



F-1-1

PUMP(WJR2525)(2)

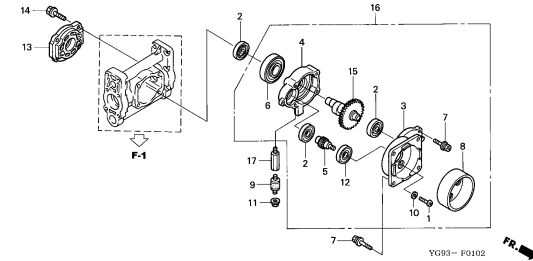
D 2



F-1-2

PUMP(WJR2525)(3)

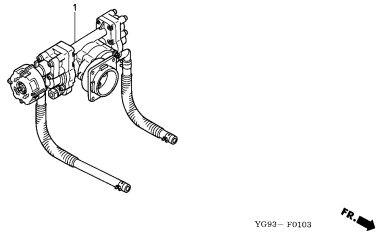
D 3



F-1-3

PUMP(WJR2525)(4)

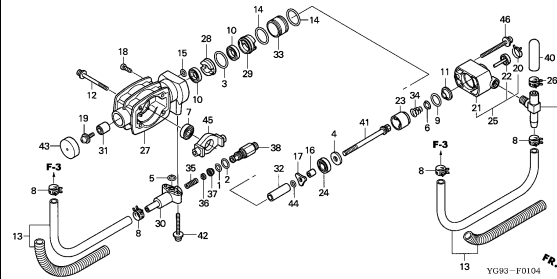
D 4



F-1-4

PUMP(WJR1525)(1)

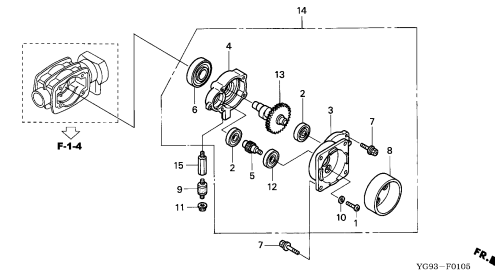
D 5



F-1-5

PUMP(WJR1525)(2)

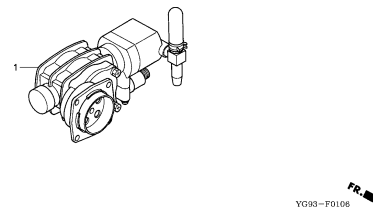
D 7



F-1-6

PUMP(WJR1525)(3)

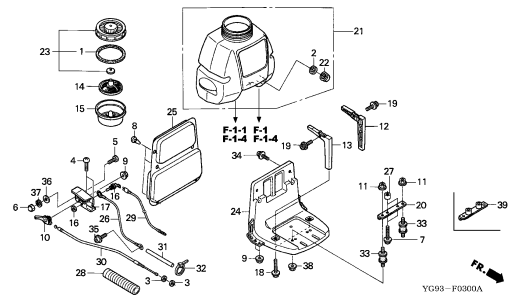
D 8



F-3

TANK/FRAME

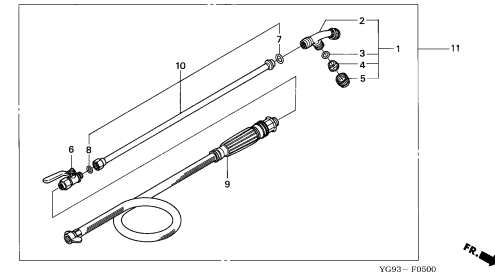
D 9



F-5

NOZZLE(WJR2525)

D11



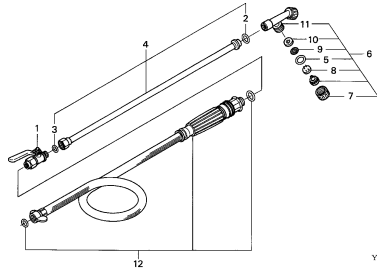
FRAME GROUP

B13

F-5-1

NOZZLE(WJR1525)

D12



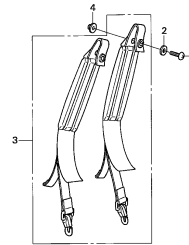
YG93-F0901



F-6

BACK BAND

D13



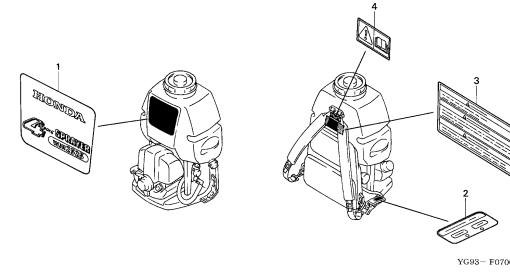
YG93-F0620



F-7

LABEL

D14

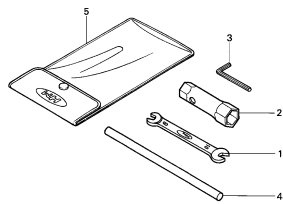


YG93-F0700

F-8

TOOL

D15

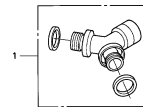


YG93-F0800

FOP-1

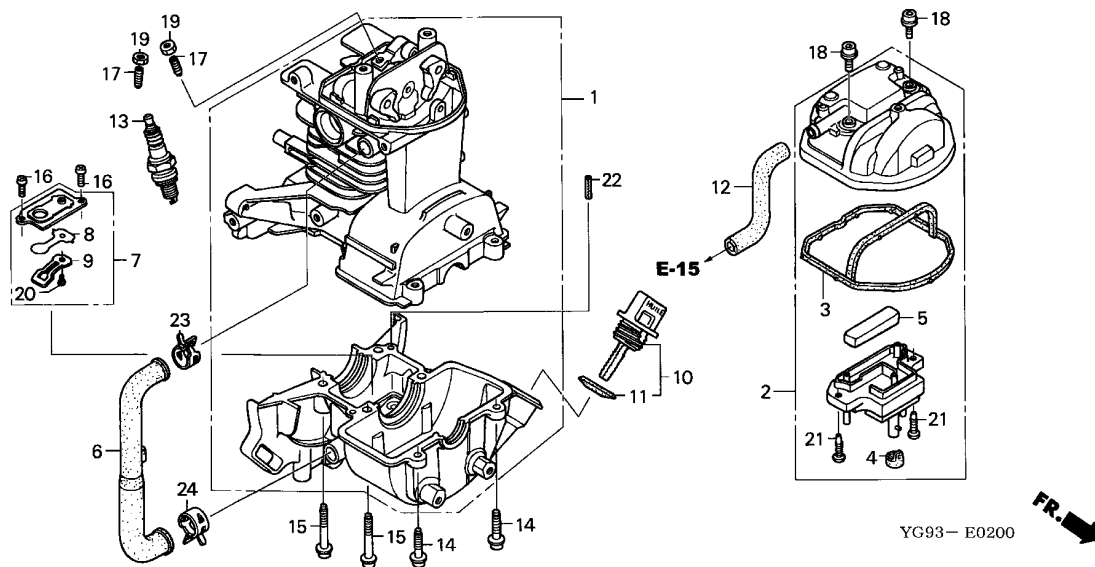
JOINT SET

D16



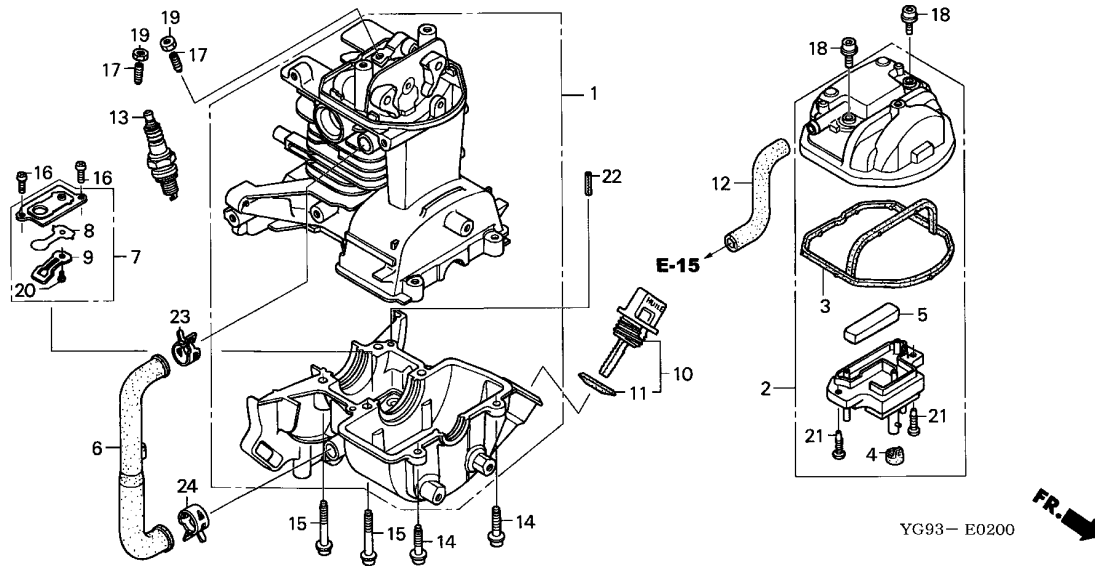
YG93-Y0100

3



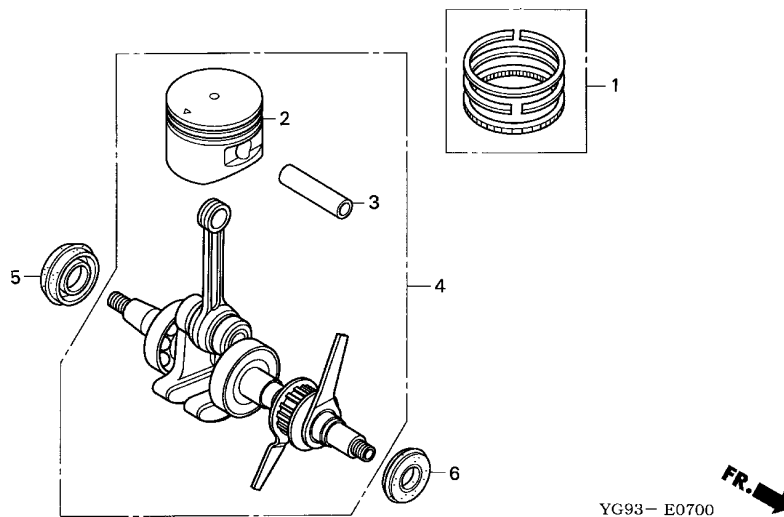
Service item	F.R.T.
COVER, CYLINDER HEAD	0.1
.PLUG, SPARK	
.SEAL, HEAD COVER	
.TUBE, BREATHER	
TUBE, OIL	0.3
PLATE ASSY., OIL OUTLET VALVE (INC. RELATIVE PART)	*1.6
CRANKCASE SET	*2.0

Ref. No.	Part No.	Description	Reqd. QTY		Serial No.	Parts catalogue code
			WJR 1525	WJR 2525		
1	10100-Z0H-425	CRANKCASE SET	1	-		
	10100-Z0H-415	-	1	----- E	
2	12310-Z0H-010	COVER, CYLINDER HEAD	1	1	----- D	
3	12312-Z0H-300	SEAL, HEAD COVER	1	1		
4	12314-Z0H-300	GROMMET, HEAD COVER	1	1		
5	12367-Z0H-000	FILTER, BREATHER	1	1		
6	15422-Z0H-000	TUBE, OIL	1	1		
7	15510-Z0H-000	PLATE ASSY., OIL OUTLET VALVE	1	1		
8	15571-ZM3-003	VALVE, OIL OUTLET	1	1		
9	15572-Z0H-000	PLATE, STOPPER	1	1		
10	15600-ZF0-003	CAP ASSY., OIL FILLER	1	1		
11	15625-ZE1-003	PACKING, OIL FILLER CAP	1	1		
12	15721-Z0H-800	TUBE, BREATHER	1	1		
13	31914-Z0H-003	PLUG, SPARK (CMR4H) (NGK)	1	1		
	31915-Z0H-003	PLUG, SPARK (CMR5H) (NGK)	(1)	(1)		
14	90009-Z0H-003	BOLT, SOCKET, 5X20	2	2		
15	90010-Z0H-003	BOLT, SOCKET, 5X30	4	4		
16	90013-Z0H-004	SCREW, PAN, 4X8	2	2		
17	90017-Z0H-000	SCREW, TAPPET ADJUSTING	2	2		
18	90019-Z0H-003	BOLT, SOCKET, 5X12	2	2		
19	90206-ZM3-000	NUT, TAPPET ADJUSTING	2	2		
20	93500-03005-0A	SCREW, PAN, 3X5	1	1		
21	93901-34320	SCREW, TAPPING, 4X12	2	2		
22	94305-40102	PIN, SPRING, 4X10	1	1		



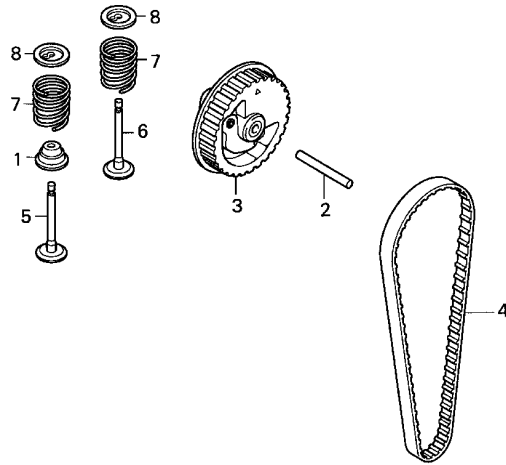
Ref. No.	Part No.	Description	Reqd. QTY		Serial No.	Parts catalogue code
			WJR 1525	WJR 2525		
23	95002-41200-08	CLAMP, TUBE (D12)	1	1		
24	95002-41300-04	CLAMP, TUBE (D13)	1	1		





Service item	F.R.T.
CRANKSHAFT COMP.	*1.7
.OIL SEAL, 10X20X5	
.OIL SEAL, 12X24X5	
RING SET, PISTON	*1.8
PISTON	*1.9

Ref. No.	Part No.	Description	Reqd. QTY		Serial No.	Parts catalogue code
			WJR 1525	WJR 2525		
1	13010-ZOH-000	RING SET, PISTON	1	1		
2	13101-ZOH-000	PISTON	1	1		
3	13111-ZOH-000	PIN, PISTON	1	1		
4	13310-ZOH-020	CRANKSHAFT COMP.	1	-		
	13310-ZOH-010	-	1	-----	E
	13310-ZOH-010	-	1	-----	D
5	91211-ZOH-003	OIL SEAL, 12X24X5	1	1		
6	91212-ZOH-003	OIL SEAL, 10X20X5	1	1		

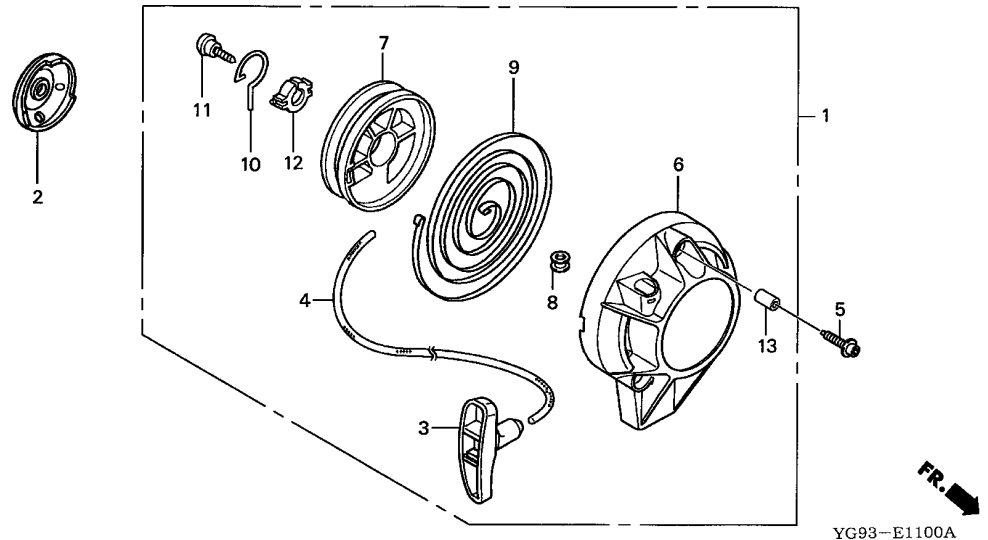


YG93-E1000 **FR.** →

Service item	F.R.T.
PULLEY COMP., CAM	*0.9
BELT, TIMING	*1.7
SEAL, VALVE STEM	*1.8
.VALVE (INC. RELATIVE PART) (ADD 0.1 FOR EACH.)	

Ref. No.	Part No.	Description	Reqd. QTY		Serial No.	Parts catalogue code
			WJR 1525	WJR 2525		
1	12209-ZOH-003	SEAL, VALVE STEM	1	1		
2	14126-ZOH-003	ROLLER, 4X29.8	1	1		
3	14320-ZOH-010	PULLEY COMP., CAM	1	1		
4	14400-ZOH-003	BELT, TIMING (71ZU6 G-300) ..	1	1		
5	14711-ZOH-000	VALVE, IN.	1	1		
6	14721-ZOH-000	VALVE, EX.	1	1		
7	14751-ZOH-000	SPRING, VALVE	2	2		
8	14771-ZOH-000	RETAINER, VALVE SPRING	2	2		



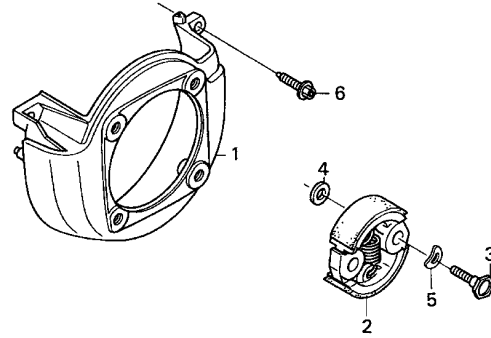


Service item	F.R.T.
STARTER ASSY., RECOIL	0.1
REEL, RECOIL STARTER	0.3
.ROPE, RECOIL STARTER	
.SPRING, RECOIL STARTER	
PULLEY, RECOIL STARTER	*0.7

Ref. No.	Part No.	Description	Reqd. QTY		Serial No.	Parts catalogue code
			WJR 1525	WJR 2525		
1	28400-ZOH-003	STARTER ASSY., RECOIL	1	1		
2	28451-ZOH-003	PULLEY, RECOIL STARTER	1	1		
3	28461-ZM3-003	KNOB, RECOIL STARTER	1	1		
4	28462-ZM3-003	ROPE, RECOIL STARTER	1	1		
5	90018-ZOH-003	BOLT, SOCKET, 5X16	3	3		
6	28414-ZOH-003	CASE, RECOIL STARTER	1	1		
7	28421-ZOH-003	REEL, RECOIL STARTER	1	1		
8	28433-ZM3-003	GUIDE, ROPE	1	1		
9	28442-ZOH-003	SPRING, RECOIL STARTER	1	1		
10	28459-ZOH-003	ARM, SWING	1	1		
11	90012-ZM3-003	SCREW, SETTING	1	1		
12	91504-ZM3-003	COLLAR	1	1		
13	91506-ZM3-000	COLLAR A, HEAD COVER	3	3		

2

FR.

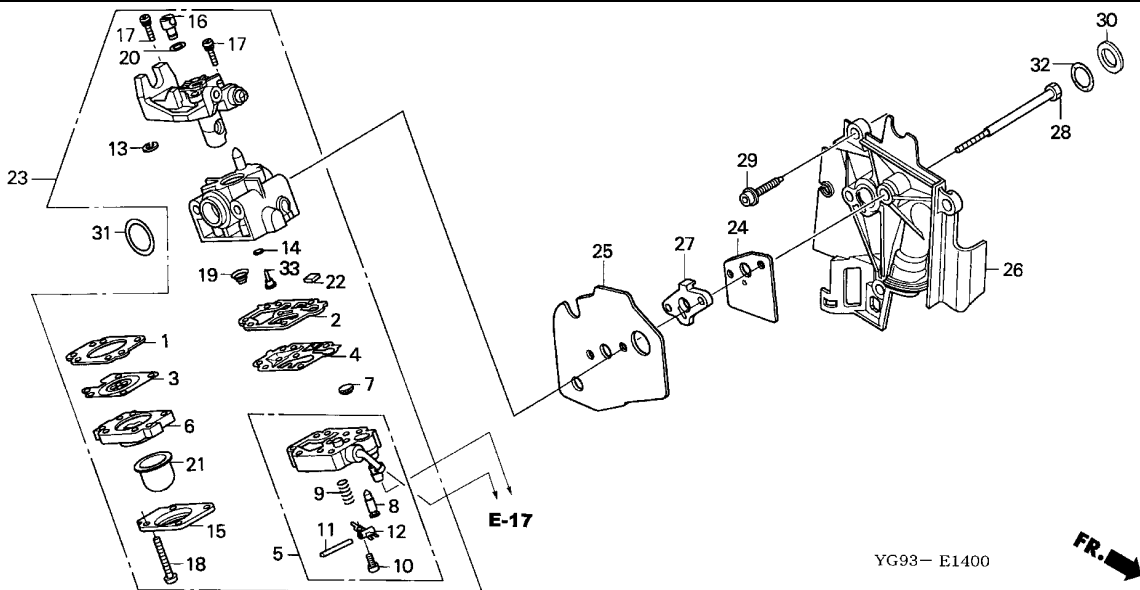


YG93- E1200

Service item	F.R.T.
COVER, FAN	*0.5
CLUTCH ASSY.	*0.7

Ref. No.	Part No.	Description	Reqd. QTY		Serial No.	Parts catalogue code
			WJR 1525	WJR 2525		
1	19611-ZOH-000	COVER, FAN	1	1		
2	22000-ZOH-801	CLUTCH ASSY.	1	1		
3	22253-ZOH-003	BOLT, CLUTCH (6MM)	2	2		
4	22254-ZM3-003	WASHER, CLUTCH (6X15)	2	2		
5	22254-ZOH-003	WASHER, WAVE	2	2		
6	90009-ZOH-003	BOLT, SOCKET, 5X20	3	3		

2



Service item	F.R.T.
O-RING, 14.8X2.4	0.1
CARBURETOR ASSY.	0.2
.PUMP, PRIMER	
.SHROUD	
.SPACER, SHROUD (INC. RELATIVE PART)	
BODY ASSY., PUMP	0.4
.GASKET, PUMP	
.JET	
.VALVE, INLET NEEDLE	

YG93- E1400

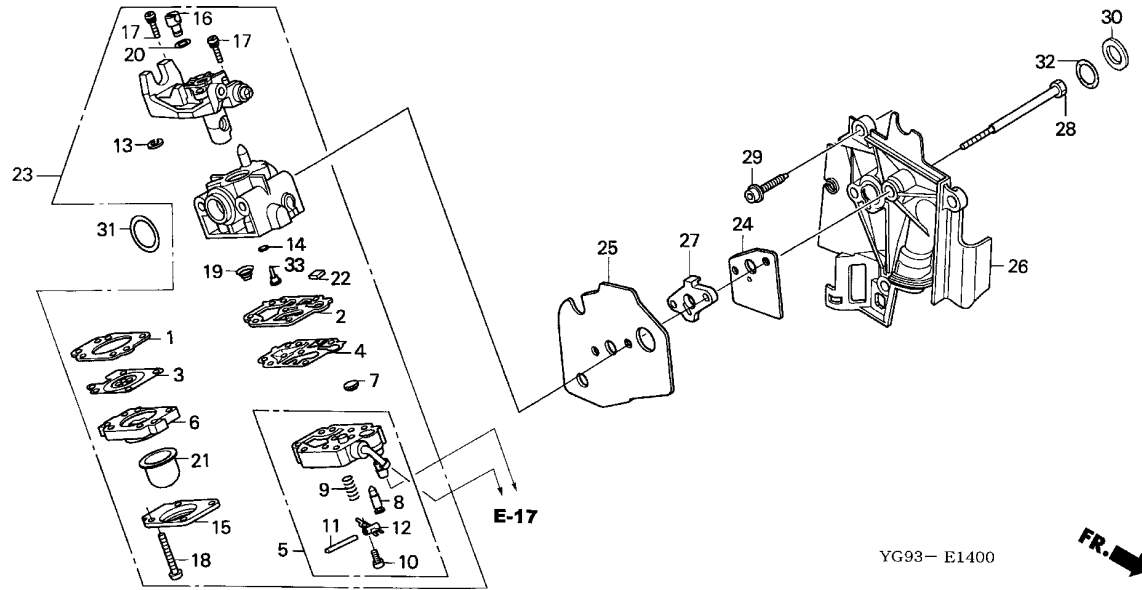


Ref. No.	Part No.	Description	Reqd. QTY		Serial No.	Parts catalogue code
			WJR 1525	WJR 2525		
1	16010-ZM3-004	GASKET, METERING DIAPHRAGM ..	1	1		
2	16011-ZOH-003	GASKET, PUMP	1	1		
3	16013-ZOH-003	DIAPHRAGM ASSY., METERING ...	1	1		
4	16014-ZM3-004	DIAPHRAGM, PUMP	1	1		
5	16015-ZOH-003	BODY ASSY., PUMP	1	1		
6	16017-ZM3-004	BODY ASSY., AIR PURGE	1	1		
7	16018-ZM3-802	SCREEN, INLET	1	1		
8	16019-ZM3-004	VALVE, INLET NEEDLE	1	1		
9	16020-ZM3-004	SPRING, METERING LEVER	1	1		
10	16021-ZM3-004	SCREW, METERING LEVER PIN ...	1	1		
11	16022-ZM3-014	PIN, METERING LEVER	1	-		
			-	1	-----	E
			-	1	-----	D
12	16023-ZM3-004	LEVER, METERING	1	1		
13	16024-ZOH-003	RING, RETAINING	1	1		
14	16025-ZM3-004	O-RING	1	1		
15	16026-ZM3-004	COVER, PRIMER PUMP	1	1		
16	16027-ZM3-004	SWIVEL	1	1		
17	16028-ZM3-004	SCREW, THROTTLE COLLAR	2	2		
18	16029-ZM3-004	SCREW, PUMP COVER	4	4		
19	16030-ZM3-004	SPRING, PUMP	1	1		
20	16031-ZM3-004	WASHER	1	1		
21	16032-ZM3-004	PUMP, PRIMER	1	1		
22	16035-ZM3-802	FILTER, FUEL INLET	1	1		
23	16100-ZOH-813	CARBURETOR ASSY. (WYB 8)	1	-	-----	D

E-14

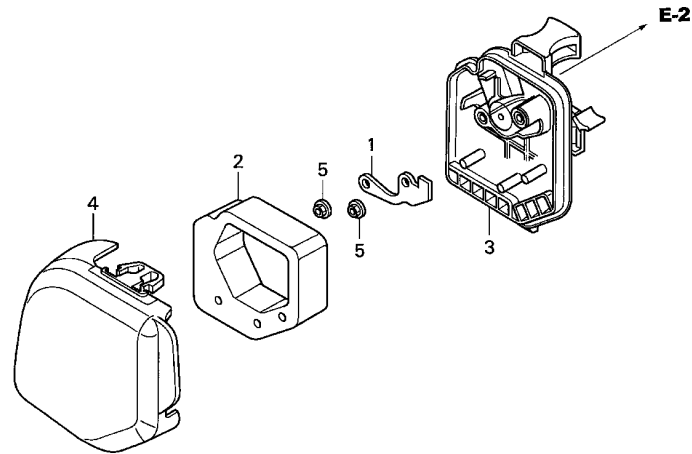
CARBURETOR

C 8



Ref. No.	Part No.	Description	Reqd. QTY		Serial No.	Parts catalogue code
			WJR 1525	WJR 2525		
23)	16100-ZOH-023	CARBURETOR ASSY. (WYB 6B) ...	1	1	-----	E
	16100-ZOH-812	CARBURETOR ASSY. (WYB 8) ...	-	1	-----	D
24	16221-ZM3-000	PACKING, CARBURETOR	1	1		
25	16222-ZOH-800	PACKING, SHROUD	1	1		
26	19631-ZOH-000	SHROUD	1	1		
27	19632-ZOH-800	SPACER, SHROUD	1	1		
28	90014-ZOH-801	BOLT, 5X59	2	2		
29	90018-ZOH-003	BOLT, SOCKET, 5X16	3	3		
30	90401-ZOH-000	WASHER	-	1	-----	D
31	91301-ZM3-000	O-RING, 14.8X2.4	1	1		
32	91308-ZOH-003	O-RING, 12.3X2.4	1	1		
33	99101-ZM5-0330	JET (#33)	(1)	(1)		
	99101-ZM5-0340	JET (#34)	1	1		
	99101-ZOH-0320	JET (#32)	(1)	(1)		

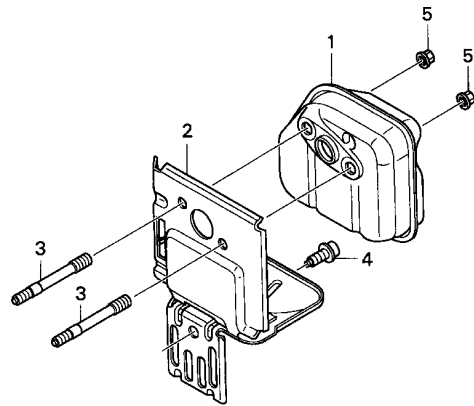
2



YG93-E1500

Service item	F.R.T.
CASE COMP., AIR CLEANER	0.1
.COVER, AIR CLEANER	
.ELEMENT, AIR CLEANER	

Ref. No.	Part No.	Description	Reqd. QTY		Serial No.	Parts catalogue code
			WJR 1525	WJR 2525		
1	17204-ZOH-000	PLATE, OIL TRAP	1	1		
2	17211-ZOH-000	ELEMENT, AIR CLEANER	1	1		
3	17220-ZOH-000	CASE COMP., AIR CLEANER	1	1		
4	17231-ZOH-000	COVER, AIR CLEANER	1	1		
5	94050-05000	NUT, FLANGE, 5MM	2	2		

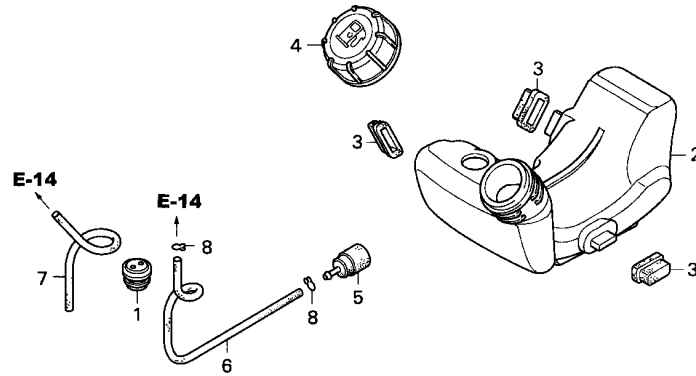


YG93 - E1600

Service item	F.R.T.
GUIDE, AIR EX.	0.1
MUFFLER COMP.	
BOLT, STUD, 2.5X42	0.2
(ADD 0.1 FOR EACH.)	

Ref. No.	Part No.	Description	Reqd. QTY		Serial No.	Parts catalogue code
			WJR 1525	WJR 2525		
1	18310-ZOH-000	MUFFLER COMP.	1	1		
2	18515-ZOH-000	GUIDE, AIR EX.	1	1		
3	90001-ZOH-003	BOLT, STUD, 2.5X42	2	2		
4	90011-ZOH-003	BOLT, SOCKET, 5X10(CT)	1	1		
5	90136-SM4-901	NUT, SELF-LOCK, 5MM	2	2		

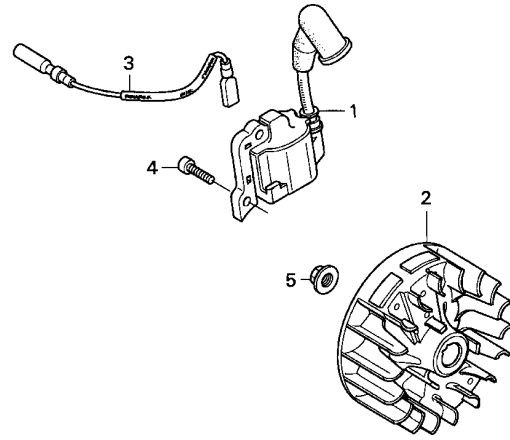




YG93 - E1700 **FR.** →

Service item	F.R.T.
FILTER, FUEL	0.2
.GROMMET, FUEL TUBE	
.TANK, FUEL	
.TUBE, FUEL TANK	

Ref. No.	Part No.	Description	Reqd. QTY		Serial No.	Parts catalogue code
			WJR 1525	WJR 2525		
1	17504-ZM3-003	GROMMET, FUEL TUBE	1	1		
2	17511-ZOH-013	TANK, FUEL	1	-		
	17511-ZOH-003	-	1	-----	E
	17511-ZOH-003	-	1	-----	D
3	17533-ZOH-000	RUBBER, TANK MOUNTING	3	3		
4	17620-ZM3-053	CAP ASSY., FUEL TANK	1	-	-----	D
	17620-ZM3-816	1	1	-----	E
	17620-ZM3-043	-	1	-----	D
5	17672-ZM3-003	FILTER, FUEL	1	1		
6	17701-ZOH-003	TUBE, FUEL TANK	1	1		
7	17702-ZOH-003	TUBE, FUEL RETURN	1	1		
8	91401-ZM3-003	CLIP, TUBE	2	2		



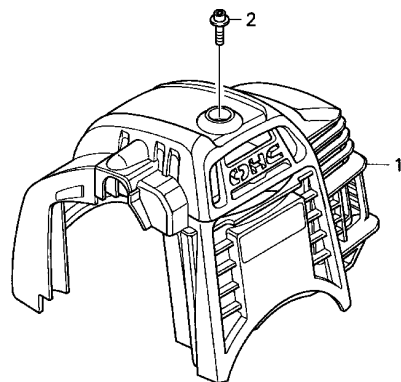
YG93 - E1900

Service item	F.R.T.
CORD, STOP SWITCH	0.1
COIL ASSY., IGNITION	*0.5
FLYWHEEL COMP.	*0.8

Ref. No.	Part No.	Description	Reqd. QTY		Serial No.	Parts catalogue code
			WJR 1525	WJR 2525		
1	30500-ZOH-013	COIL ASSY., IGNITION	1	1		
2	31110-ZOH-003	FLYWHEEL COMP.	1	1		
3	32195-ZOH-000	CORD, STOP SWITCH	1	1		
4	90012-ZOH-005	BOLT, SOCKET, 4X14	2	2		
5	90355-427-770	NUT, FLANGE, 7MM	1	1		



Service item	F.R.T.
COVER COMP., TOP	0.1

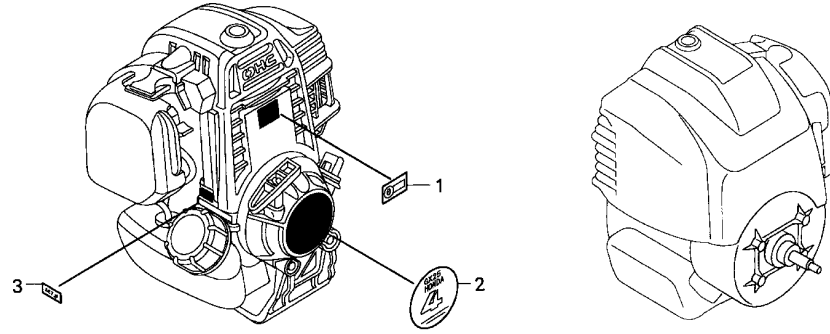


YG93- E2700



2

Ref. No.	Part No.	Description	Reqd. QTY		Serial No.	Parts catalogue code
			WJR 1525	WJR 2525		
1	19720-Z0H-000ZB	COVER COMP., TOP				
		R280.....POWER RED	1	1		
2	90015-Z0H-003	BOLT, TOP COVER	1	1		

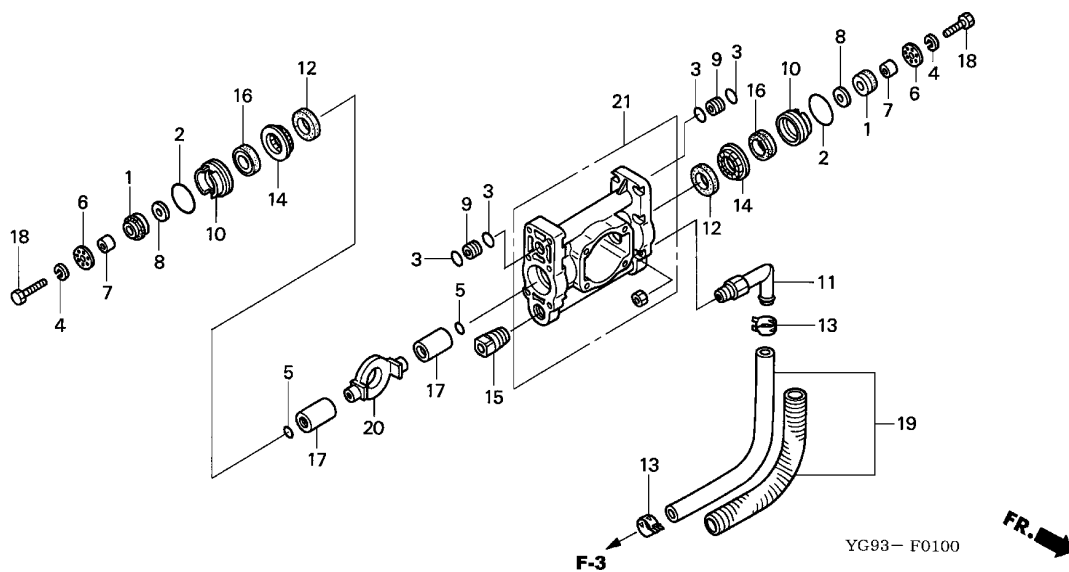


YG93- E2800

Service item F.R.T.
NOT INFORMATION

Ref. No.	Part No.	Description	Reqd. QTY		Serial No.	Parts catalogue code
			WJR 1525	WJR 2525		
1	87135-ZE2-020	LABEL, E-SPEC (15.5X27.5) ...	1	1	-----	D
2	87521-ZOH-000	MARK, EMBLEM	1	1	-----	
3	87601-ZOH-G10	MARK, TYPE (AY1)	1	1	-----	D
	87601-ZOH-G30	MARK, TYPE (AY2)	1	1	-----	E





Service item	F.R.T.
ELBOW	0.2
.PACKING, SEAL (CAM HANDLE SIDE ADD 0.1)	
.PIPE, JOINT (INC. RELATIVE PART)	
.PISTON ASSY. (INC. RELATIVE PART)	
(CAM HANDLE SIDE ADD 0.1)	
.PLUG	
.SLEEVE (CAM HANDLE SIDE ADD 0.1)	
HOSE ASSY.	0.3
OIL SEAL	*0.8
(SAME TIME FOR TWO UNITS)	
.ROD, CONNECTING	
CRANKCASE ASSY.	*0.9

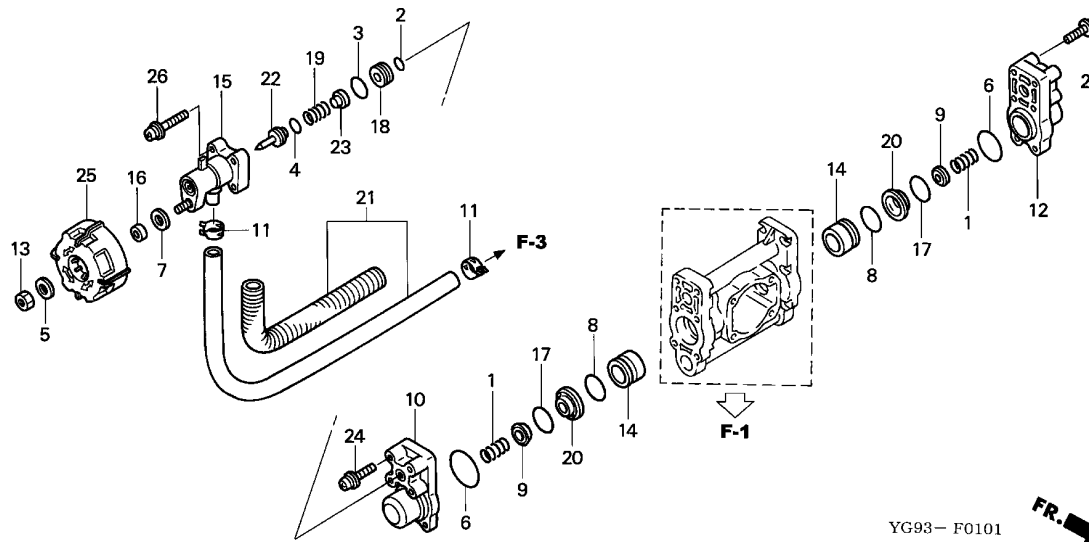
3

Ref. No.	Part No.	Description	Reqd. QTY		Serial No.	Parts catalogue code
			WJR 1525	WJR 2525		
1	79130-YD3-003	PISTON ASSY.	-	2		
2	80004-YG9-003	O-RING	-	2		
3	80006-YG9-003	O-RING	-	4		
4	80007-YG9-003	WASHER, SPRING	-	2		
5	80009-YG9-003	O-RING	-	2		
6	80010-YG9-003	STOPPER, WATER VALVE	-	2		
7	80012-YG9-003	COLLAR, WATER VALVE	-	2		
8	80014-YG9-003	SEAT, WATER VALVE	-	2		
9	80021-YG9-003	PIPE, JOINT	-	2		
10	80024-YG9-003	RETAINER, SEAL	-	2		
11	80026-YG9-003	ELBOW	-	1		
12	80028-YG9-003	OIL SEAL	-	2		
13	80029-YG9-003	BAND, HOSE	-	2		
14	80050-YG9-003	COLLAR	-	2		
15	80052-YG9-003	PLUG	-	1		
16	80055-YG9-003	PACKING, SEAL	-	2		
17	80063-YG9-003	SLEEVE	-	2		
18	80066-YG9-003	BOLT, HEX.	-	2		
19	80067-YG9-003	HOSE ASSY.	-	1		
20	80072-YG9-003	ROD, CONNECTING	-	1		
21	80076-YG9-003	CRANKCASE ASSY.	-	1		

F-1-1

PUMP(WJR2525)(2)

D 2



Service item	F.R.T.
HANDLE COMP.	0.1
HEAD, CYLINDER (REF NO,12)	0.2
.HOLDER, SPRING .PIPE, CYLINDER (INC. RELATIVE PART) (CAM HANDLE SIDE ADD 0.1)	
.SEAT, VALVE (INC. RELATIVE PART)	
HEAD, CYLINDER (REF NO,10)	0.3
.HOSE ASSY.	

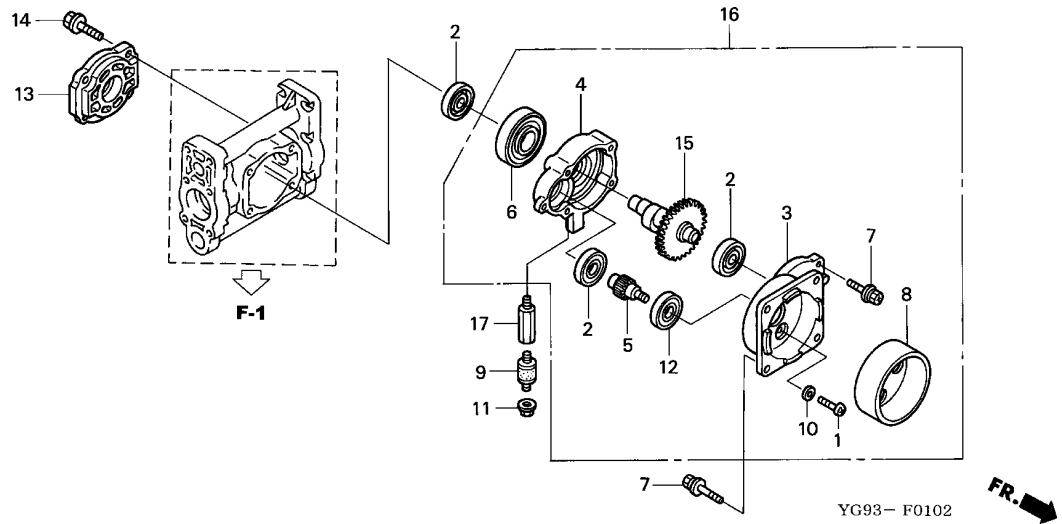
Ref. No.	Part No.	Description	Reqd. QTY		Serial No.	Parts catalogue code
			WJR 1525	WJR 2525		
1	79193-YD9-003	SPRING, VALVE	-	2		
2	80001-YG9-003	O-RING	-	1		
3	80002-YG9-003	O-RING	-	1		
4	80003-YG9-003	O-RING	-	1		
5	80005-YF6-003	WASHER, PLAIN, 8MM	-	1		
6	80005-YG9-003	O-RING	-	2		
7	80008-YG9-003	WASHER, PLAIN	-	1		
8	80020-YF6-003	O-RING, (P22)	-	2		
9	80021-YF5-003	VALVE	-	2		
10	80025-YG9-003	HEAD, CYLINDER (B)	-	1		
11	80029-YG9-003	BAND, HOSE	-	2		
12	80030-YG9-003	HEAD, CYLINDER (A)	-	1		
13	80031-YF5-003	NUT, HEX., 8MM	-	1		
14	80031-YG9-003	PIPE, CYLINDER	-	2		
15	80032-YG9-003	HOLDER, SPRING	-	1		
16	80042-YG9-003	COLLAR	-	1		
17	80044-YG9-003	O-RING	-	2		
18	80046-YG9-003	SEAT, VALVE	-	1		
19	80047-YG9-003	SPRING, VALVE	-	1		
20	80062-YG9-003	SEAT, VALVE	-	2		
21	80069-YG9-003	HOSE ASSY.	-	1		
22	80073-YG9-003	RETAINER, SPRING	-	1		
23	80074-YG9-003	VALVE	-	1		
24	80077-YG9-003	SCREW-WASHER, 5X32	-	8		
25	80090-YG9-003	HANDLE COMP.	-	1		
26	80110-YG9-003	SCREW-WASHER, 5X60	-	4		

3

F-1-2

PUMP(WJR2525)(3)

D 3



Service item	F.R.T.
EXTENSION	*0.4
BEARING	*0.6
.CASE, BEARING	
BEARING	*0.7
(CLUTCH CASE SIDE)	
.DRUM, CLUTCH	
.GEAR, PINION	
BEARING	*0.8
(REF NO,12)	
.CASE, CLUTCH	
BEARING	*0.9
(REF NO,6)	
.REDUCTION ASSY.	
CRANKSHAFT COMP.	*1.2
BEARING	*1.3
(GEAR CASE SIDE)	
.CASE, GEAR	

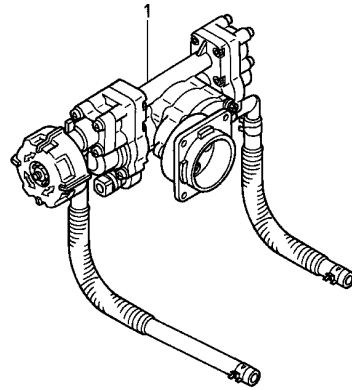
3

Ref. No.	Part No.	Description	Reqd. QTY		Serial No.	Parts catalogue code
			WJR 1525	WJR 2525		
1	80016-YG9-003	SCREW, PAN, 6X20	-	2		
2	80027-YG9-003	BEARING	-	3		
3	80033-YG9-003	CASE, CLUTCH	-	1		
4	80034-YG9-003	CASE, GEAR	-	1		
5	80035-YG9-003	GEAR, PINION	-	1		
6	80036-YG9-003	BEARING	-	1		
7	80039-YF6-003	BOLT-WASHER, 6X16	-	6		
8	80045-YG9-003	DRUM, CLUTCH	-	1		
9	80048-YG9-003	RUBBER, MOUNTING	-	1		
10	80051-YG9-003	WASHER	-	2		
11	80053-YG9-003	NUT, CONICAL	-	1		
12	80054-YG9-003	BEARING	-	1		
13	80061-YG9-003	CASE, BEARING	-	1		
14	80064-YG9-003	BOLT-WASHER, 6X55	-	4		
15	80075-YG9-003	CRANKSHAFT COMP.	-	1		
16	80078-YG9-003	REDUCTION ASSY.	-	1		
17	80099-YG9-003	EXTENSION	-	1		

F-1-3

PUMP(WJR2525)(4)

D 4



YG93-F0103



Service item	F.R.T.
PUMP ASSY.	*0.5

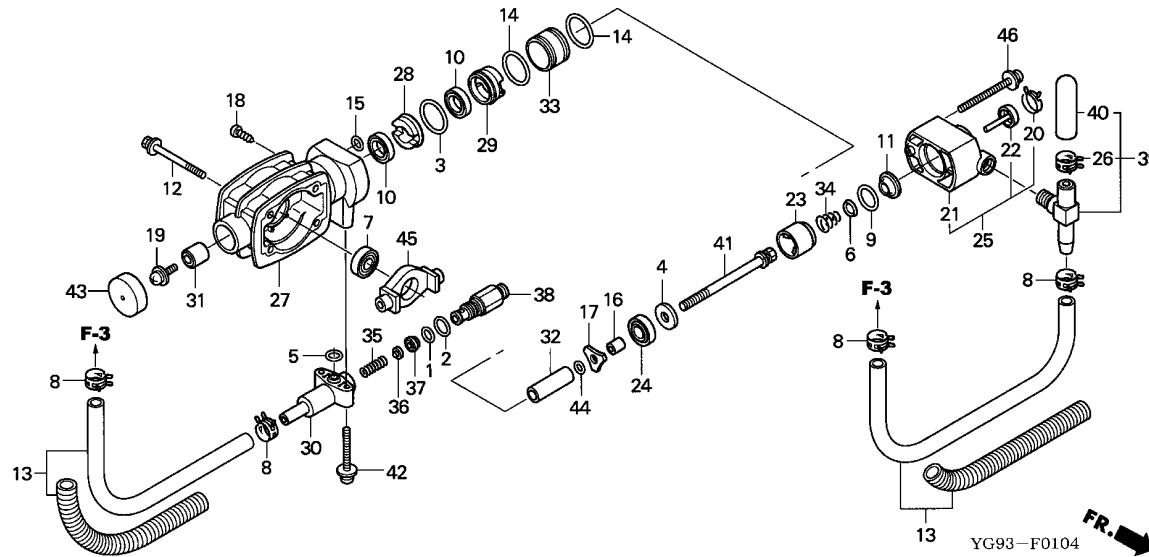
Ref. No.	Part No.	Description	Reqd. QTY		Serial No.	Parts catalogue code
			WJR 1525	WJR 2525		
1	80089-YG9-003	PUMP ASSY.	-	1		

3

F-1-4

PUMP(WJR1525)(1)

D 5



Service item	F.R.T.
HEAD, CROSS	0.1
.SPRING (INC. RELATIVE PART) (REF NO,35)	
HOSE ASSY.	0.3
.JOINT ASSY., HOSE	
.MANIFOLD B	
.PACKING COMP., PISTON (INC. RELATIVE PART)	
.PACKING, SEAL (INC. RELATIVE PART)	
.SPRING (INC. RELATIVE PART) (REF NO,34)	
BODY, VALVE	*0.4
(INC. RELATIVE PART)	
BEARING	*0.8
.PACKING, SEAL (CRANKCASE SIDE)	
.ROD, CONNECTING	
CASE, CRANK	*0.9

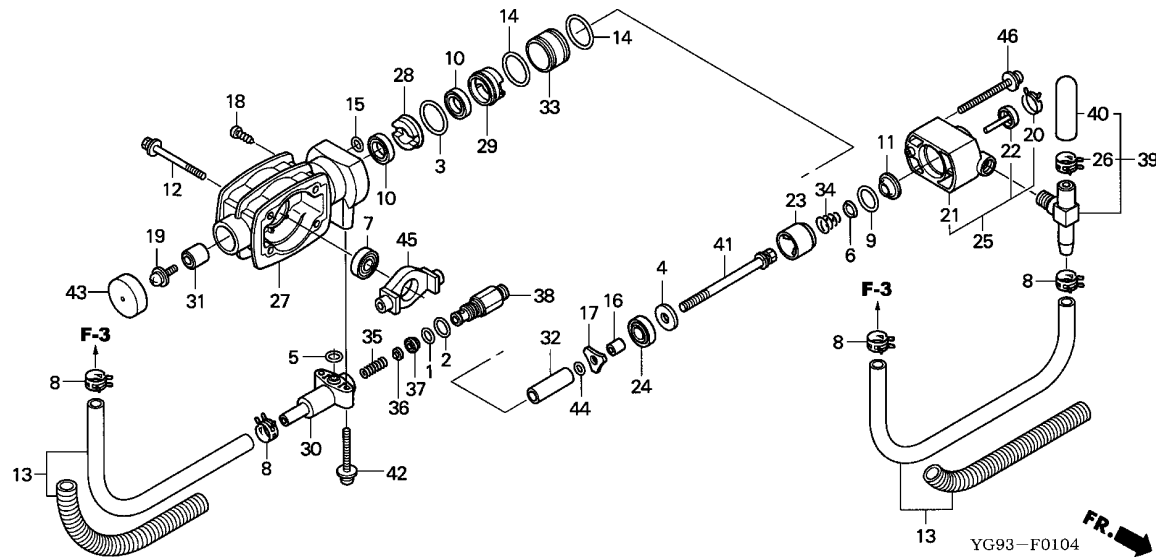
3

Ref. No.	Part No.	Description	Reqd. QTY		Serial No.	Parts catalogue code
			WJR 1525	WJR 2525		
1	80001-YG9-003	O-RING	1	-		
2	80002-YG9-003	O-RING	1	-		
3	80004-YG9-003	O-RING	1	-		
4	80006-YF6-003	SEAT, INLET VALVE	1	-		
5	80006-YG9-003	O-RING	1	-		
6	80021-YF5-003	VALVE	1	-		
7	80027-YG9-003	BEARING	1	-		
8	80029-YG9-003	BAND, HOSE	4	-		
9	80044-YG9-003	O-RING	1	-		
10	80055-YG9-003	PACKING, SEAL	2	-		
11	80062-YG9-003	SEAT, VALVE	1	-		
12	80064-YG9-003	BOLT-WASHER, 6X55	4	-		
13	80069-YG9-003	HOSE ASSY.	2	-		
14	80119-YG9-003	O-RING	2	-		
15	80120-YG9-003	O-RING	1	-		
16	80123-YG9-003	COLLAR, WATER VALVE	1	-		
17	80124-YG9-003	STOPPER, WATER VALVE	1	-		
18	80128-YG9-003	SCREW, SELF TAPPING	1	-		
19	80129-YG9-003	SCREW-WASHER	1	-		
20	80151-YG9-003	BAND, HOSE	1	-		
21	80152-YG9-003	MANIFOLD B	1	-		
22	80154-YG9-003	PIN COMP.	1	-		
23	80155-YG9-003	STOPPER	1	-		
24	80157-YG9-003	PACKING COMP., PISTON	1	-		
25	80158-YG9-003	MANIFOLD ASSY., B	1	-		

F-1-4

PUMP(WJR1525)(1)

D 6



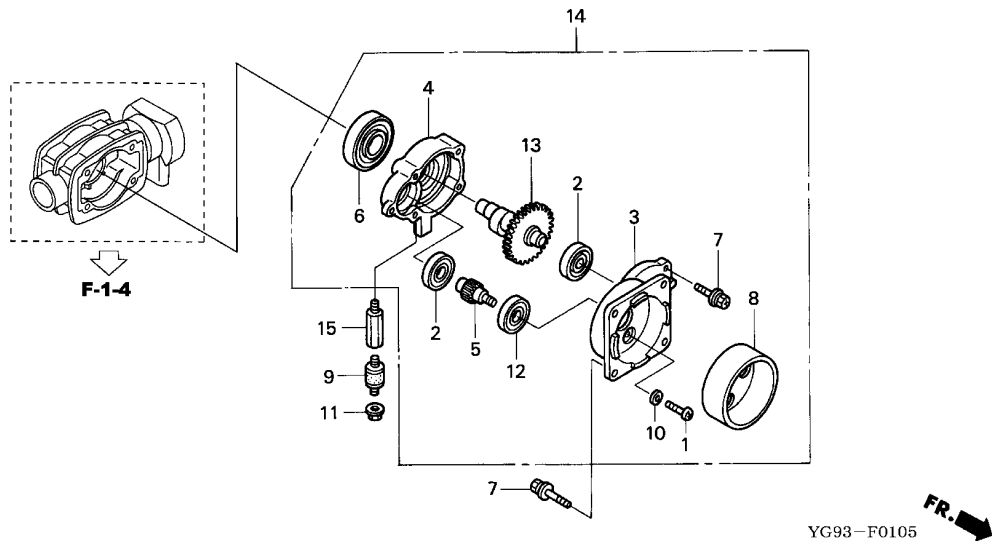
Ref. No.	Part No.	Description	Reqd. QTY		Serial No.	Parts catalogue code
			WJR 1525	WJR 2525		
26	80159-YG9-003	BAND, HOSE	1	-		
27	80160-YG9-003	CASE, CRANK	1	-		
28	80161-YG9-003	CASE, SEAL	1	-		
29	80162-YG9-003	SEAL, RETAINER	1	-		
30	80163-YG9-003	BODY, VALVE	1	-		
31	80165-YG9-003	HEAD, CROSS	1	-		
32	80166-YG9-003	SLEEVE	1	-		
33	80167-YG9-003	CYLINDER, PIPE	1	-		
34	80168-YG9-003	SPRING	1	-		
35	80169-YG9-003	SPRING	1	-		
36	80170-YG9-003	VALVE	1	-		
37	80171-YG9-003	SEAT, VALVE	1	-		
38	80172-YG9-003	ADAPTER	1	-		
39	80173-YG9-003	JOINT ASSY., HOSE	1	-		
40	80174-YG9-003	CAP	1	-		
41	80176-YG9-003	BOLT	1	-		
42	80177-YG9-003	SCREW-WASHER	2	-		
43	80180-YG9-003	CAP	1	-		
44	80181-YG9-003	O-RING	1	-		
45	80182-YG9-003	ROD, CONNECTING	1	-		
46	80225-YG9-003	SCREW-WASHER	4	-		

3

F-1-5

PUMP(WJR1525)(2)

D 7



Service item	F.R.T.
EXTENSION	*0.4
DRUM, CLUTCH	*0.5
BEARING	*0.6
(CLUTCH CASE SIDE)	
BEARING	*0.7
(REF NO,12)	
.CASE, CLUTCH	
.GEAR, PINION	
REDUCTION ASSY.	*0.8
BEARING	*0.9
(REF NO,6)	
.CRANKSHAFT COMP.	
BEARING	*1.0
(GEAR CASE SIDE)	
.CASE, GEAR	

3

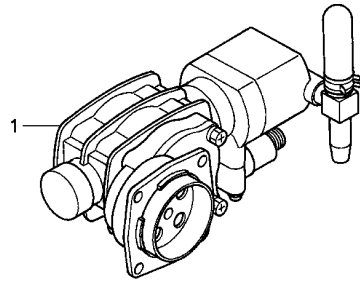
Ref. No.	Part No.	Description	Reqd. QTY		Serial No.	Parts catalogue code
			WJR 1525	WJR 2525		
1	80016-YG9-003	SCREW, PAN, 6X20	2	-		
2	80027-YG9-003	BEARING	2	-		
3	80033-YG9-003	CASE, CLUTCH	1	-		
4	80034-YG9-003	CASE, GEAR	1	-		
5	80035-YG9-003	GEAR, PINION	1	-		
6	80036-YG9-003	BEARING	1	-		
7	80039-YF6-003	BOLT-WASHER, 6X16	6	-		
8	80045-YG9-003	DRUM, CLUTCH	1	-		
9	80048-YG9-003	RUBBER, MOUNTING	1	-		
10	80051-YG9-003	WASHER	2	-		
11	80053-YG9-003	NUT, CONICAL	1	-		
12	80054-YG9-003	BEARING	1	-		
13	80075-YG9-003	CRANKSHAFT COMP.	1	-		
14	80078-YG9-003	REDUCTION ASSY.	1	-		
15	80099-YG9-003	EXTENSION	1	-		

F-1-6

PUMP(WJR1525)(3)

D 8

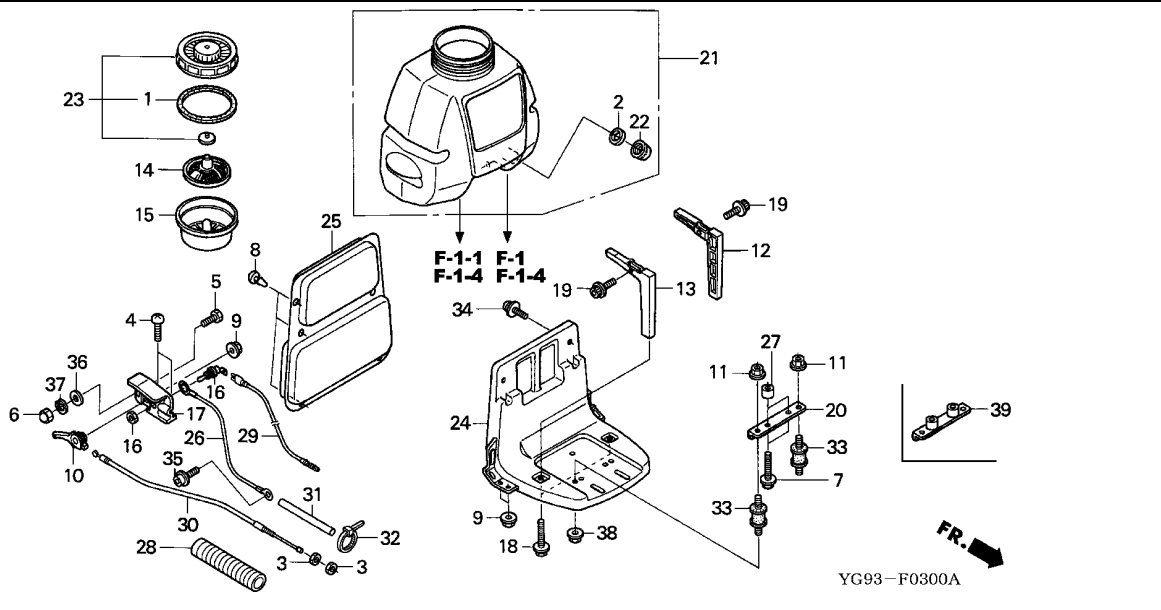
Service item	F.R.T.
PUMP ASSY.	*0.5



FR. →
YG93-F0106

Ref. No.	Part No.	Description	Reqd. QTY		Serial No.	Parts catalogue code
			WJR 1525	WJR 2525		
1	80212-YG9-003	PUMP ASSY.	1	-		

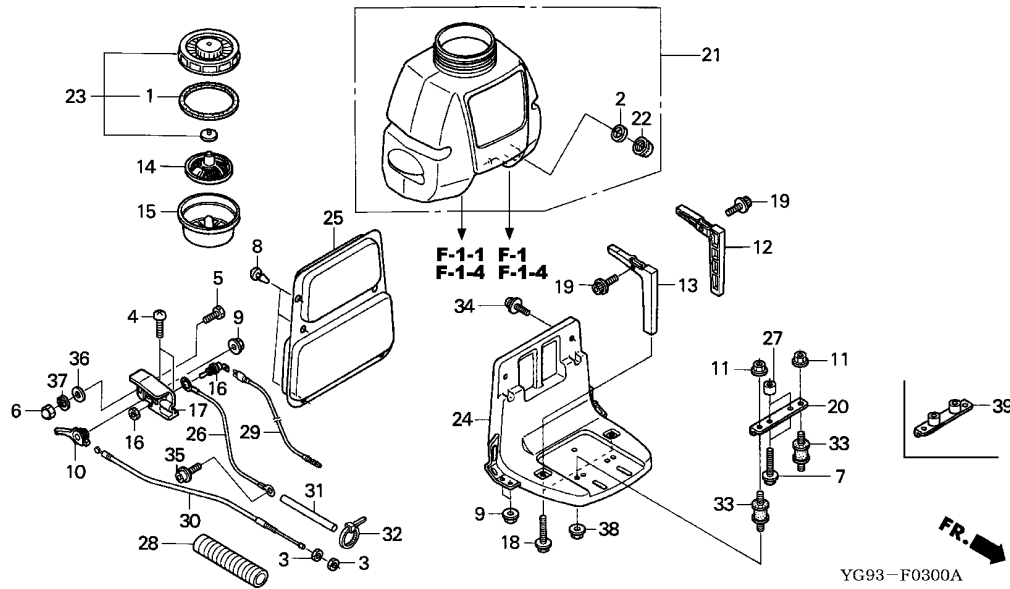
3



Service item	F.R.T.
LEVER, THROTTLE	0.1
.PACKING, DRAIN CAP	
.PACKING, TANK CAP	
.PAD, BACK	
.STRAINER	
.SWITCH, ENGINE STOP	
CORD, EARTH	0.3
.CORD, SWITCH	
.WIRE, THROTTLE	
TANK ASSY.	0.4
FRAME	*0.8

3

Ref. No.	Part No.	Description	Reqd. QTY		Serial No.	Parts catalogue code
			WJR 1525	WJR 2525		
1	80011-YG9-003	PACKING, TANK CAP	1	1		
2	80013-YG9-003	PACKING, DRAIN CAP	1	1		
3	80015-YG9-003	NUT, HEX.	2	2		
4	80020-YG9-003	SCREW, PAN	2	-		
	80016-YG9-003	SCREW, PAN, 6X20	-	2		
5	80017-YG9-003	BOLT, HEX., 6X12	1	1		
6	80019-YG9-003	NUT, HEX. CAP, 6MM	1	1		
7	80020-YG9-003	SCREW, PAN	2	2		
8	80023-YG9-003	FASTENER	6	6		
9	80043-YG9-003	NUT, SERRATE FLANGE	3	3		
10	80057-YG9-003	LEVER, THROTTLE	1	1		
11	80058-YG9-003	NUT, SERRATE FLANGE	2	2		
12	80059-YG9-003	STAY A	1	1		
13	80060-YG9-003	STAY B	1	1		
14	80079-YG9-003	STRAINER	1	1		
15	80080-YG9-003	STRAINER	1	1		
16	80081-YG9-003	SWITCH, ENGINE STOP	1	1		
17	80083-YG9-003	STAY	1	1		
18	80085-YG9-003	BOLT-WASHER, 6X16	2	2		
19	80086-YG9-003	BOLT, SOCKET, 6X14	2	2		
20	80088-YG9-003	BRACKET	-	1	----- D	
21	80091-YG9-003	TANK ASSY. (25L)	1	1		
22	80093-YG9-003	CAP, DRAIN	1	1		
23	80094-YG9-003	CAP ASSY., TANK	1	1		
24	80095-YG9-003	FRAME	1	1		

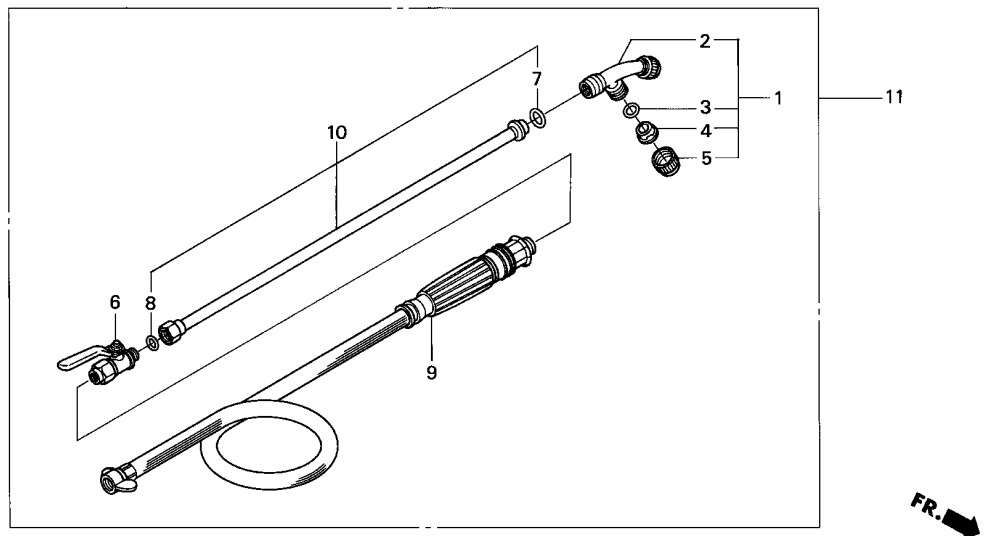


Ref. No.	Part No.	Description	Reqd. QTY		Serial No.	Parts catalogue code
			WJR 1525	WJR 2525		
25	80096-YG9-003	PAD, BACK	1	1		
26	80097-YG9-003	CORD, EARTH	1	1		
27	80098-YG9-003	COLLAR	-	2	-----	D
28	80100-YG9-003	TUBE, CORRUGATE	1	1		
29	80102-YG9-003	CORD, SWITCH	1	1		
30	80103-YG9-003	WIRE, THROTTLE	1	1		
31	80104-YG9-003	HOSE, VINYL	1	1		
32	80105-YG9-003	BAND	1	1		
33	80106-YG9-003	MOUNT	2	2		
34	80109-YG9-003	SCREW-WASHER, 6X13	2	2		
35	90011-Z0H-811	BOLT, SOCKET, 5X9	1	1		
36	80113-YG9-003	WASHER, PLAIN	1	-		
	90401-YD0-003	WASHER, 6MM	-	1	-----	E
37	80114-YG9-003	WASHER, SPRING	1	-		
	90402-YD0-003	WASHER, SPRING, 6MM	-	1	-----	E
38	80053-YG9-003	NUT, CONICAL	2	2		
39	80217-YG9-003	BRACKET COMP.	1	-		
			-	1	-----	E

F-5

NOZZLE(WJR2525)

D11



YG93-F0500

Service item	F.R.T.
COCK, BALL	0.1
.HOSE COMP.	
.NOZZLE ASSY.	
.NOZZLE, WIDE	
.PIPE ASSY., NOZZLE	

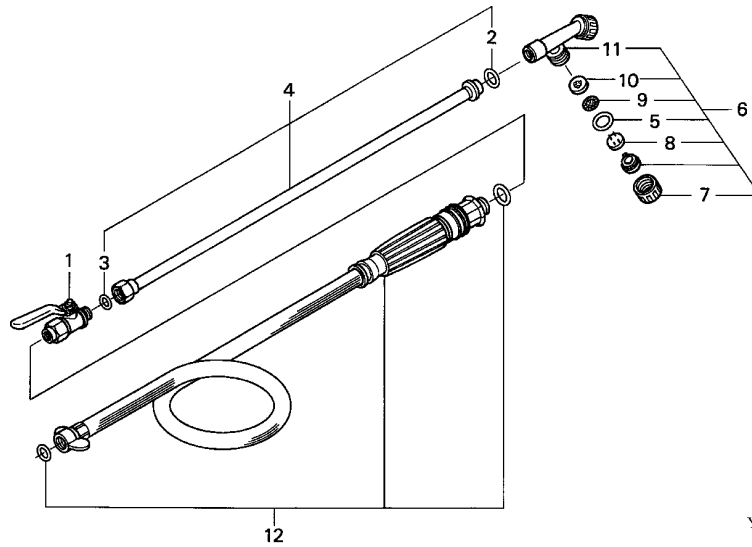
3

Ref. No.	Part No.	Description	Reqd. QTY		Serial No.	Parts catalogue code
			WJR 1525	WJR 2525		
1	80037-YG9-003	NOZZLE, WIDE	-	1		
2	80038-YG9-003	NOZZLE	-	1		
3	80039-YG9-003	PACKING, RUBBER	-	2		
4	80040-YG9-003	PLATE, NOZZLE	-	2		
5	80041-YG9-003	CAP, NOZZLE	-	2		
6	80049-YG9-003	COCK, BALL	-	1		
7	80056-YG9-003	PACKING	-	1		
8	80071-YG9-003	PACKING	-	1		
9	80082-YG9-003	HOSE COMP.	-	1	----- D	
	80178-YG9-003	-	1	----- E	
10	80087-YG9-003	PIPE ASSY., NOZZLE	-	1		
11	80108-YG9-003	NOZZLE ASSY.	-	1		

F-5-1

NOZZLE(WJR1525)

D12



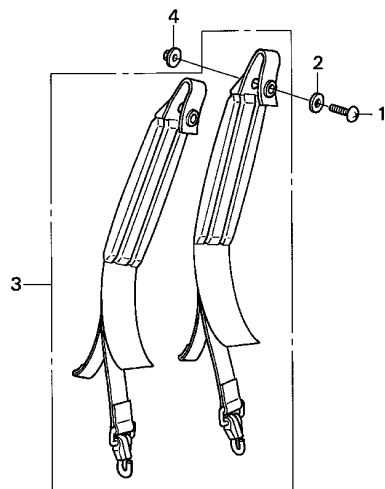
YG93-F0501



Service item	F.R.T.
COCK, BALL	0.1
.HOSE COMP.	
.NOZZLE, WIDE	
.PIPE ASSY., NOZZLE	

Ref. No.	Part No.	Description	Reqd. QTY		Serial No.	Parts catalogue code
			WJR 1525	WJR 2525		
1	80049-YG9-003	COCK, BALL	1	-		
2	80056-YG9-003	PACKING	1	-		
3	80071-YG9-003	PACKING	1	-		
4	80087-YG9-003	PIPE ASSY., NOZZLE	1	-		
5	80112-YG9-003	O-RING	2	-		
6	80142-YG9-003	NOZZLE, WIDE	1	-		
7	80143-YG9-003	CAP	2	-		
8	80144-YG9-003	PLATE, NOZZLE	2	-		
9	80145-YG9-003	STRAINER	2	-		
10	80146-YG9-003	PACKING	2	-		
11	80147-YG9-003	BODY	1	-		
12	80178-YG9-003	HOSE COMP.	1	-		

3



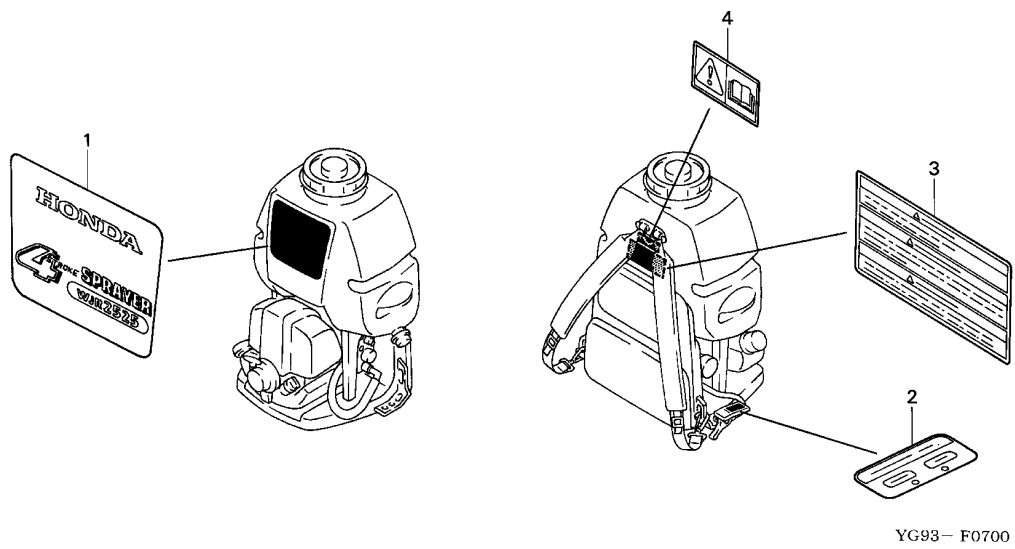
YG93- F0600



Service item	F.R.T.
BAND ASSY., BACK	0.1

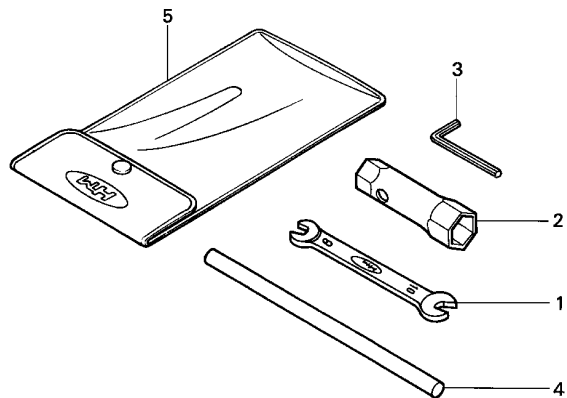
3

Ref. No.	Part No.	Description	Reqd. QTY		Serial No.	Parts catalogue code
			WJR 1525	WJR 2525		
1	80018-YG9-003	SCREW, TRUSS, 6X16	2	2		
2	80022-YG9-003	PLATE, CAP SEAT	2	2		
3	80175-YG9-003	BAND ASSY., BACK	1	-		
	80084-YG9-003	-	1		
4	80107-YG9-003	NUT, CONICAL	2	2		



Service item F.R.T.
NOT INFORMATION

Ref. No.	Part No.	Description	Reqd. QTY		Serial No.	Parts catalogue code
			WJR 1525	WJR 2525		
1	87101-YG9-750	MARK, EMBLEM (WJR1525)	1	-		
	87101-YG9-951	MARK, EMBLEM (WJR2525)	-	1		
2	87501-YG9-950	MARK, SWITCH	1	1	-----	D
	87501-YG9-960	1	1	-----	E
3	87522-YG9-950	LABEL, CAUTION	1	1	-----	D
	87522-YG9-960	1	1	-----	E
4	87522-ZH8-W41	MARK, CAUTION	1	1	-----	D



YG93- F0800

Service item F.R.T.
NOT INFORMATION

3

Ref. No.	Part No.	Description	Reqd. QTY		Serial No.	Parts catalogue code
			WJR 1525	WJR 2525		
1	89203-VF9-003	SPANNER, 8X10	1	1		
2	89216-VJ3-000	WRENCH, PLUG (13X16)	1	1		
3	89221-KW3-000	WRENCH, HEX., 4MM	1	1		
4	99005-01000	BAR A, HANDLE	1	1		
5	99008-01600	BAG, TOOL, 160MM	1	1		

FOP-1

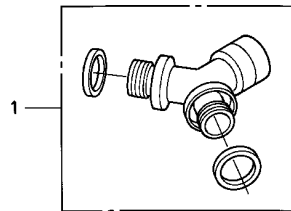
JOINT SET

D16

Service item

F.R.T.

NOT INFORMATION



YG93- Y0100

Ref. No.	Part No.	Description	Reqd. QTY		Serial No.	Parts catalogue code
			WJR 1525	WJR 2525		
1	80111-YG9-003	JOINT SET	-	(1)		

3

PART NO. INDEX

E 1

Part Number	Address	Page	Ref.	Part Number	Address	Page	Ref.	Part Number	Address	Page	Ref.	Part Number	Address	Page	Ref.	Part Number	Address	Page	Ref.
10000				16027-ZM3-004	C7	20	16	28462-ZM3-003	C5	18	4	80025-YG9-003	D2	29	10				
				16028-ZM3-004	C7	20	17					80026-YG9-003	D1	28	11	80063-YG9-003	D1	28	17
10100-Z0H-415	C1	14	1	16029-ZM3-004	C7	20	18	30000				80027-YG9-003	D3	30	2	80064-YG9-003	D3	30	14
10100-Z0H-425	C1	14	1	16030-ZM3-004	C7	20	19						D5	32	7		D5	32	12
				16031-ZM3-004	C7	20	20	30500-Z0H-013	C12	25	1		D7	34	2	80066-YG9-003	D1	28	18
12000				16032-ZM3-004	C7	20	21					80028-YG9-003	D1	28	12	80067-YG9-003	D1	28	19
12209-Z0H-003	C4	17	1	16035-ZM3-802	C7	20	22	31000				80029-YG9-003	D1	28	13	80069-YG9-003	D2	29	21
12310-Z0H-010	C1	14	2	16100-Z0H-023	C8	21	23						D2	29	11		D5	32	13
12312-Z0H-300	C1	14	3	16100-Z0H-812	C8	21	23	31110-Z0H-003	C12	25	2		D5	32	8	80071-YG9-003	D11	38	8
12314-Z0H-300	C1	14	4	16100-Z0H-813	C7	20	23	31914-Z0H-003	C1	14	13	80030-YG9-003	D2	29	12		D12	39	3
12367-Z0H-000	C1	14	5	16221-ZM3-000	C8	21	24	31915-Z0H-003	C1	14	13	80031-YF5-003	D2	29	13	80072-YG9-003	D1	28	20
				16222-Z0H-800	C8	21	25					80031-YG9-003	D2	29	14	80073-YG9-003	D2	29	22
								32000				80032-YG9-003	D2	29	15	80074-YG9-003	D2	29	23
13000				17000								80033-YG9-003	D3	30	3	80075-YG9-003	D3	30	15
13010-Z0H-000	C3	16	1	17204-Z0H-000	C9	22	1	32195-Z0H-000	C12	25	3		D7	34	3		D7	34	13
13101-Z0H-000	C3	16	2	17211-Z0H-000	C9	22	2					80034-YG9-003	D3	30	4	80076-YG9-003	D1	28	21
13111-Z0H-000	C3	16	3	17220-Z0H-000	C9	22	3	79000					D7	34	4	80077-YG9-003	D2	29	24
13310-Z0H-010	C3	16	4	17231-Z0H-000	C9	22	4	79130-YD3-003	D1	28	1	80035-YG9-003	D3	30	5	80078-YG9-003	D3	30	16
13310-Z0H-020	C3	16	4	17504-ZM3-003	C11	24	1	79193-YD9-003	D2	29	1		D7	34	5		D7	34	14
				17511-Z0H-003	C11	24	2					80036-YG9-003	D3	30	6	80079-YG9-003	D9	36	14
14000				17511-Z0H-013	C11	24	2	80000					D7	34	6	80080-YG9-003	D9	36	15
14126-Z0H-003	C4	17	2	17533-Z0H-000	C11	24	3					80037-YG9-003	D11	38	1	80081-YG9-003	D9	36	16
14320-Z0H-010	C4	17	3	17620-ZM3-043	C11	24	4	80001-YG9-003	D2	29	2	80038-YG9-003	D11	38	2	80082-YG9-003	D11	38	9
14400-Z0H-003	C4	17	4	17620-ZM3-053	C11	24	4		D5	32	1	80039-YF6-003	D3	30	7	80083-YG9-003	D9	36	17
14711-Z0H-000	C4	17	5	17620-ZM3-816	C11	24	4	80002-YG9-003	D2	29	3		D7	34	7	80084-YG9-003	D13	40	3
14721-Z0H-000	C4	17	6	17672-ZM3-003	C11	24	5		D5	32	2	80039-YG9-003	D11	38	3	80085-YG9-003	D9	36	18
14751-Z0H-000	C4	17	7	17701-Z0H-003	C11	24	6	80003-YG9-003	D2	29	4	80040-YG9-003	D11	38	4	80086-YG9-003	D9	36	19
14771-Z0H-000	C4	17	8	17702-Z0H-003	C11	24	7	80004-YG9-003	D1	28	2	80041-YG9-003	D11	38	5	80087-YG9-003	D11	38	10
				18000				80005-YF6-003	D2	29	5	80042-YG9-003	D2	29	16		D12	39	4
15000								80005-YG9-003	D2	29	6	80043-YG9-003	D9	36	9	80088-YG9-003	D9	36	20
15422-Z0H-000	C1	14	6	18310-Z0H-000	C10	23	1	80006-YF6-003	D5	32	4	80044-YG9-003	D2	29	17	80089-YG9-003	D4	31	1
15510-Z0H-000	C1	14	7	18515-Z0H-000	C10	23	2	80006-YG9-003	D1	28	3		D5	32	9	80090-YG9-003	D2	29	25
15571-ZM3-003	C1	14	8	19000					D7	34	8	80045-YG9-003	D3	30	8	80091-YG9-003	D9	36	21
15572-Z0H-000	C1	14	9					80007-YG9-003	D1	28	4		D7	34	8	80093-YG9-003	D9	36	22
15600-ZF0-003	C1	14	10	19611-Z0H-000	C6	19	1	80008-YG9-003	D2	29	7	80046-YG9-003	D2	29	18	80094-YG9-003	D9	36	23
15625-ZE1-003	C1	14	11	19631-Z0H-000	C8	21	26	80009-YG9-003	D1	28	5	80047-YG9-003	D2	29	19	80095-YG9-003	D9	36	24
15721-Z0H-800	C1	14	12	19632-Z0H-800	C8	21	27	80010-YG9-003	D1	28	6	80048-YG9-003	D3	30	9	80096-YG9-003	D10	37	25
				19720-Z0H-000ZB	C13	26	1	80011-YG9-003	D9	36	1		D7	34	9	80097-YG9-003	D10	37	26
16000								80012-YG9-003	D1	28	7	80049-YG9-003	D11	38	6	80098-YG9-003	D10	37	27
16010-ZM3-004	C7	20	1	22000				80013-YG9-003	D9	36	2		D12	39	1	80099-YG9-003	D3	30	17
16011-Z0H-003	C7	20	2					80014-YG9-003	D1	28	8	80050-YG9-003	D1	28	14		D7	34	15
16013-Z0H-003	C7	20	3	22000-Z0H-801	C6	19	2	80015-YG9-003	D9	36	3	80051-YG9-003	D3	30	10	80100-YG9-003	D10	37	28
16014-ZM3-004	C7	20	4	22253-Z0H-003	C6	19	3	80016-YG9-003	D3	30	1		D7	34	10	80102-YG9-003	D10	37	29
16015-Z0H-003	C7	20	5	22254-Z0H-003	C6	19	5		D9	36	4	80052-YG9-003	D1	28	15	80103-YG9-003	D10	37	30
16017-ZM3-004	C7	20	6	22254-ZM3-003	C6	19	4		D7	34	1	80053-YG9-003	D3	30	11	80104-YG9-003	D10	37	31
16018-ZM3-802	C7	20	7					80017-YG9-003	D9	36	5		D7	34	11	80105-YG9-003	D10	37	32
16019-ZM3-004	C7	20	8	28000				80018-YG9-003	D13	40	1		D10	37	38	80106-YG9-003	D10	37	33
16020-ZM3-004	C7	20	9					80019-YG9-003	D9	36	6	80054-YG9-003	D3	30	12	80107-YG9-003	D13	40	4
16021-ZM3-004	C7	20	10	28400-Z0H-003	C5	18	1	80020-YF6-003	D2	29	8		D7	34	12	80108-YG9-003	D11	38	11
16022-ZM3-004	C7	20	11	28414-Z0H-003	C5	18	6	80020-YG9-003	D9	36	4	80055-YG9-003	D1	28	16	80109-YG9-003	D10	37	34
16022-ZM3-014	C7	20	11	28421-Z0H-003	C5	18	7		D5	32	10		D5	32	10	80110-YG9-003	D2	29	26
16023-ZM3-004	C7	20	12	28433-ZM3-003	C5	18	8	80021-YF5-003	D2	29	9	80056-YG9-003	D11	38	7	80111-YG9-003	D16	43	1
16024-Z0H-003	C7	20	13	28442-Z0H-003	C5	18	9		D5	32	6		D12	39	2	80112-YG9-003	D12	39	5
16025-ZM3-004	C7	20	14	28451-Z0H-003	C5	18	2	80021-YG9-003	D1	28	9	80057-YG9-003	D9	36	10	80113-YG9-003	D10	37	36
16026-ZM3-004	C7	20	15	28459-Z0H-003	C5	18	10	80022-YG9-003	D13	40	2	80058-YG9-003	D9	36	11	80114-YG9-003	D10	37	37
				28461-ZM3-003	C5	18	3	80023-YG9-003	D9	36	8	80059-YG9-003	D9	36	12	80119-YG9-003	D5	32	14
								80024-YG9-003	D1	28	10	80060-YG9-003	D9	36	13	80120-YG9-003	D5	32	15
												80061-YG9-003	D3	30	13	80123-YG9-003	D5	32	16
												80062-YG9-003	D2	29	20	80124-YG9-003	D5	32	17

4

PART NO. INDEX



Part Number	Address	Page	Ref.	Part Number	Address	Page	Ref.	Part Number	Address	Page	Ref.	Part Number	Address	Page	Ref.
80128-YG9-003	D5	32	18	89221-KW3-000	D15	42	3								
80129-YG9-003	D5	32	19												
80142-YG9-003	D12	39	6	90000											
80143-YG9-003	D12	39	7												
80144-YG9-003	D12	39	8	90001-Z0H-003	C10	23	3								
80145-YG9-003	D12	39	9	90009-Z0H-003	C1	14	14								
80146-YG9-003	D12	39	10												
80147-YG9-003	D12	39	11	90010-Z0H-003	C1	14	15								
80151-YG9-003	D5	32	20	90011-Z0H-003	C10	23	4								
80152-YG9-003	D5	32	21	90011-Z0H-811	D10	37	35								
80154-YG9-003	D5	32	22	90012-Z0H-005	C12	25	4								
80155-YG9-003	D5	32	23	90012-ZM3-003	C5	18	11								
80157-YG9-003	D5	32	24	90013-Z0H-004	C1	14	16								
80158-YG9-003	D5	32	25	90014-Z0H-801	C8	21	28								
80159-YG9-003	D6	33	26	90015-Z0H-003	C13	26	2								
80160-YG9-003	D6	33	27	90017-Z0H-000	C1	14	17								
80161-YG9-003	D6	33	28	90018-Z0H-003	C5	18	5								
80162-YG9-003	D6	33	29												
80163-YG9-003	D6	33	30	90019-Z0H-003	C1	14	18								
80165-YG9-003	D6	33	31	90136-SM4-901	C10	23	5								
80166-YG9-003	D6	33	32	90206-ZM3-000	C1	14	19								
80167-YG9-003	D6	33	33	90355-427-770	C12	25	5								
80168-YG9-003	D6	33	34	90401-YD0-003	D10	37	36								
80169-YG9-003	D6	33	35	90401-Z0H-000	C8	21	30								
80170-YG9-003	D6	33	36	90402-YD0-003	D10	37	37								
80171-YG9-003	D6	33	37												
80172-YG9-003	D6	33	38	91000											
80173-YG9-003	D6	33	39												
80174-YG9-003	D6	33	40	91211-Z0H-003	C3	16	5								
80175-YG9-003	D13	40	3	91212-Z0H-003	C3	16	6								
80176-YG9-003	D6	33	41	91301-ZM3-000	C8	21	31								
80177-YG9-003	D6	33	42	91308-Z0H-003	C8	21	32								
80178-YG9-003	D11	38	9	91401-ZM3-003	C11	24	8								
	D12	39	12	91504-ZM3-003	C5	18	12								
80180-YG9-003	D6	33	43	91506-ZM3-000	C5	18	13								
80181-YG9-003	D6	33	44												
80182-YG9-003	D6	33	45	93000											
80212-YG9-003	D8	35	1												
80217-YG9-003	D10	37	39	93500-03005-0A	C1	14	20								
80225-YG9-003	D6	33	46	93901-34320	C1	14	21								
87000				94000											
87101-YG9-750	D14	41	1	94050-05000	C9	22	5								
87101-YG9-951	D14	41	1	94305-40102	C1	14	22								
87135-ZE2-020	C14	27	1												
87501-YG9-950	D14	41	2	95000											
87501-YG9-960	D14	41	2												
87521-Z0H-000	C14	27	2	95002-41200-08	C2	15	23								
87522-YG9-950	D14	41	3	95002-41300-04	C2	15	24								
87522-YG9-960	D14	41	3												
87522-ZH8-W41	D14	41	4	99000											
87601-Z0H-G10	C14	27	3												
87601-Z0H-G30	C14	27	3	99005-01000	D15	42	4								
				99008-01600	D15	42	5								
89000				99101-Z0H-0320	C8	21	33								
				99101-ZM5-0330	C8	21	33								
89203-VF9-003	D15	42	1	99101-ZM5-0340	C8	21	33								
89216-VJ3-000	D15	42	2												



PART NAME INDEX

F 1

Part name	Address	Page	Ref.	Part name	Address	Page	Ref.	Part name	Address	Page	Ref.
[A]								[F]			
ADAPTER	D6	33	38	CAP	D12	39	7	FASTENER	D9	36	8
ARM, SWING	C5	18	10	CAP ASSY., FUEL TANK	C11	24	4	FILTER, BREATHER	C1	14	5
[B]								FILTER, FUEL	C11	24	5
BOLT, SOCKET, 6X14	D9	36	19	CAP ASSY., OIL FILLER	C1	14	10	FILTER, FUEL INLET	C7	20	22
BAG, TOOL, 160MM	D15	42	5	CAP ASSY., TANK	D9	36	23	FLYWHEEL COMP.	C12	25	2
BAND	D10	37	32	CAP, DRAIN	D9	36	22	FRAME	D9	36	24
BAND ASSY., BACK	D13	40	3	CAP, NOZZLE	D11	38	5	[G]			
BAND, HOSE	D1	28	13	CARBURETOR ASSY.	C7	20	23	GASKET, METERING DIAPHRAGM	C7	20	1
	D2	29	11		C8	21	23	GASKET, PUMP	C7	20	2
	D5	32	8	CASE COMP., AIR CLEANER	C9	22	3	GEAR, PINION	D3	30	5
				CASE, BEARING	D3	30	13		D7	34	5
				CASE, CLUTCH	D3	30	3	GROMMET, FUEL TUBE	C11	24	1
					D7	34	3	GROMMET, HEAD COVER	C1	14	4
				CASE, CRANK	D6	33	27	GUIDE, AIR EX.	C10	23	2
				CASE, GEAR	D3	30	4	GUIDE, ROPE	C5	18	8
					D7	34	4	[H]			
				CASE, RECOIL STARTER	C5	18	6	HANDLE COMP.	D2	29	25
				CASE, SEAL	D6	33	28	HEAD, CROSS	D6	33	31
BAR A, HANDLE	D6	33	26	CASE, TUBE	C2	15	23	HEAD, CYLINDER	D2	29	10
BEARING	D15	42	4	CLAMP, TUBE	C2	15	23				
	D3	30	2					HOLDER, SPRING	D2	29	15
				CLIP, TUBE	C11	24	8	HOSE ASSY.	D1	28	19
				CLUTCH ASSY.	C6	19	2		D2	29	21
				COCK, BALL	D11	38	6		D5	32	13
					D12	39	1	HOSE COMP.	D11	38	9
				COIL ASSY., IGNITION	C12	25	1		D12	39	12
				COLLAR	C5	18	12	HOSE, VINYL	D10	37	31
					D1	28	14	[J]			
					D10	37	27	JET	C8	21	33
BELT, TIMING	C4	17	4	COLLAR A, HEAD COVER	C5	18	13	JOINT ASSY., HOSE	D6	33	39
BODY	D12	39	11	COLLAR, WATER VALVE	D5	32	16	JOINT SET	D16	43	1
BODY ASSY., AIR PURGE	C7	20	6	CORD, EARTH	D10	37	26	[K]			
BODY ASSY., PUMP	C7	20	5	CORD, STOP SWITCH	C12	25	3	KNOB, RECOIL STARTER	C5	18	3
BODY, VALVE	D6	33	30	CORD, SWITCH	D10	37	29	[L]			
BOLT	D6	33	41	COVER COMP., TOP	C13	26	1	LABEL, CAUTION	D14	41	3
BOLT-WASHER, 6X16	D3	30	7	COVER, AIR CLEANER	C9	22	4	LABEL, E-SPEC	C14	27	1
	D7	34	7	COVER, CYLINDER HEAD	C1	14	2	LEVER, METERING	C7	20	12
	D9	36	18	COVER, FAN	C6	19	1	LEVER, THROTTLE	D9	36	10
BOLT-WASHER, 6X55	D3	30	14	COVER, PRIMER PUMP	C7	20	15	[M]			
	D5	32	12	CRANKCASE ASSY.	D1	28	21	MANIFOLD ASSY., B	D5	32	25
BOLT, 5X59	C8	21	28	CRANKCASE SET	C1	14	1	MANIFOLD B	D5	32	21
BOLT, CLUTCH	C6	19	3	CRANKSHAFT COMP.	C3	16	4	MARK, CAUTION	D14	41	4
BOLT, HEX.	D1	28	18	CYLINDER, PIPE	D6	33	33	MARK, EMBLEM	C14	27	2
BOLT, HEX., 6X12	D9	36	5	[D]				MARK, SWITCH	D14	41	2
BOLT, SOCKET, 4X14	C12	25	4	DIAPHRAGM ASSY., METERING	C7	20	3				
BOLT, SOCKET, 5X10	C10	23	4	DIAPHRAGM, PUMP	C7	20	4				
BOLT, SOCKET, 5X12	C1	14	18	DRUM, CLUTCH	D3	30	8				
BOLT, SOCKET, 5X16	C5	18	5		D7	34	8				
	C8	21	29	[E]							
BOLT, SOCKET, 5X20	C1	14	14	ELBOW	D1	28	11				
	C6	19	6	ELEMENT, AIR CLEANER	C9	22	2				
BOLT, SOCKET, 5X30	C1	14	15	EXTENSION	D3	30	17				
BOLT, SOCKET, 5X9	D10	37	35		D7	34	15				
BOLT, STUD, 2.5X42	C10	23	3								
BOLT, TOP COVER	C13	26	2								
BRACKET	D9	36	20								
BRACKET COMP.	D10	37	39								
[C]											
COLLAR	D2	29	16								
COLLAR, WATER VALVE	D1	28	7								
CAP	D6	33	40								
			43								

PART NAME INDEX

F 2

Part name	Address	Page	Ref.	Part name	Address	Page	Ref.	Part name	Address	Page	Ref.
MARK, TYPE	C14	27	3	PACKING, CARBURETOR	C8	21	24	SCREW-WASHER, 6X13	D10	37	34
MOUNT	D10	37	33	PACKING, DRAIN CAP	D9	36	2	SCREW, METERING LEVER PIN	C7	20	10
MUFFLER COMP.	C10	23	1	PACKING, OIL FILLER CAP	C1	14	11	SCREW, PAN	D9	36	4
[N]				PACKING, RUBBER	D11	38	3	SCREW, PAN, 3X5	C1	14	20
NOZZLE	D11	38	2	PACKING, SEAL	D1	28	16	SCREW, PAN, 4X8	C1	14	16
NOZZLE ASSY.	D11	38	11	PACKING, SHROUD	D5	32	10	SCREW, PAN, 6X20	D3	30	1
NOZZLE, WIDE	D11	38	1	PACKING, TANK CAP	C8	21	25	SCREW, PAN, 6X20	D7	34	1
NUT, CONICAL	D12	39	6	PAD, BACK	D9	36	1	SCREW, PUMP COVER	D9	36	4
NUT, CONICAL	D3	30	11	PIN COMP.	D10	37	25	SCREW, PUMP COVER	C7	20	18
NUT, CONICAL	D7	34	11	PIN, METERING LEVER	D5	32	22	SCREW, SELF TAPPING	D5	32	18
NUT, CONICAL	D10	37	38	PIN, PISTON	C7	20	11	SCREW, SETTING	C5	18	11
NUT, CONICAL	D13	40	4	PIN, SPRING, 4X10	C3	16	3	SCREW, TAPPET ADJUSTING	C1	14	17
NUT, FLANGE, 5MM	C9	22	5	PIPE ASSY., NOZZLE	C1	14	22	SCREW, TAPPING, 4X12	C1	14	21
NUT, FLANGE, 7MM	C12	25	5	PIPE, CYLINDER	D11	38	10	SCREW, THROTTLE COLLAR	C7	20	17
NUT, HEX.	D9	36	3	PIPE, JOINT	D12	39	4	SCREW, TRUSS, 6X16	D13	40	1
NUT, HEX. CAP, 6MM	D9	36	6	PISTE, JOINT	D2	29	14	SEAL, HEAD COVER	C1	14	3
NUT, HEX., 8MM	D2	29	13	PISTON	D1	28	9	SEAL, RETAINER	D6	33	29
NUT, SELF-LOCK, 5MM	C10	23	5	PISTON ASSY.	C3	16	2	SEAL, VALVE STEM	C4	17	1
NUT, SERRATE FLANGE	D9	36	9	PLATE ASSY., OIL OUTLET VALVE	D1	28	1	SEAT, INLET VALVE	D5	32	4
NUT, TAPPET ADJUSTING	C1	14	19	PLATE, CAP SEAT	C1	14	7	SEAT, VALVE	D2	29	18
[O]				PLATE, NOZZLE	D13	40	2	SEAT, VALVE	D5	32	11
OIL SEAL	D1	28	12	PLATE, OIL TRAP	D11	38	4	SEAT, WATER VALVE	D6	33	37
OIL SEAL, 10X20X5	C3	16	6	PLATE, STOPPER	D12	39	8	SHROUD	D1	28	8
OIL SEAL, 12X24X5	C3	16	5	PLUG	C9	22	1	SLEEVE	C8	21	26
O-RING	C7	20	14	PLUG, SPARK	C1	14	13	SLEEVE	D1	28	17
O-RING	D1	28	2	PULLEY COMP., CAM	C1	14	3	SPACER, SHROUD	D6	33	32
O-RING	D1	28	3	PULLEY, RECOIL STARTER	C4	17	3	SPACER, SHROUD	C8	21	27
O-RING	D2	29	2	PUMP ASSY.	C5	18	2	SPANNER, 8X10	D15	42	1
O-RING	D2	29	3	PUMP, PRIMER	D4	31	1	SPRING	D6	33	34
O-RING	D2	29	4	PUMP, PRIMER	D8	35	1	SPRING, METERING LEVER	C7	20	9
O-RING	D2	29	5	PUMP, PRIMER	C7	20	21	SPRING, PUMP	C7	20	19
O-RING	D2	29	6	[R]				SPRING, RECOIL STARTER	C5	18	9
O-RING	D2	29	7	REDUCTION ASSY.	D3	30	16	SPRING, VALVE	C4	17	7
O-RING	D2	29	8	REEL, RECOIL STARTER	D7	34	14	STARTER ASSY., RECOIL	D2	29	1
O-RING	D2	29	9	RETAINER, SEAL	C5	18	7	STARTER ASSY., RECOIL	C5	18	1
O-RING	D2	29	10	RETAINER, SPRING	D1	28	10	STAY	D9	36	17
O-RING	D2	29	11	RETAINER, VALVE SPRING	D2	29	22	STAY A	D9	36	12
O-RING	D2	29	12	RING SET, PISTON	C4	17	8	STAY B	D9	36	13
O-RING	D2	29	13	RING, RETAINING	C3	16	1	STOPPER	D5	32	23
O-RING	D2	29	14	ROD, CONNECTING	C7	20	13	STOPPER, WATER VALVE	D1	28	6
O-RING	D2	29	15	ROD, CONNECTING	C7	20	13	STOPPER, WATER VALVE	D5	32	17
O-RING	D2	29	16	ROLLER, 4X29.8	D1	28	20	STRAINER	D5	32	17
O-RING	D2	29	17	ROPE, RECOIL STARTER	D6	33	45	STRAINER	D9	36	14
O-RING	D2	29	18	RUBBER, MOUNTING	C4	17	2	STRAINER	D9	36	15
O-RING	D2	29	19	RUBBER, MOUNTING	C5	18	4	SWITCH, ENGINE STOP	D12	39	9
O-RING	D2	29	20	RUBBER, MOUNTING	D3	30	9	SWIVEL	D9	36	16
O-RING	D2	29	21	RUBBER, MOUNTING	D7	34	9	SWIVEL	C7	20	16
O-RING	D2	29	22	RUBBER, TANK MOUNTING	C11	24	3	[T]			
O-RING	D2	29	23	[S]				TANK ASSY.	D9	36	21
O-RING	D2	29	24	SCREEN, INLET	C7	20	7	TANK, FUEL	C11	24	2
O-RING	D2	29	25	SCREW-WASHER	D5	32	19	TUBE, BREATHER	C1	14	12
O-RING	D2	29	26	SCREW-WASHER	D6	33	42	TUBE, CORRUGATE	D10	37	28
O-RING	D2	29	27	SCREW-WASHER, 5X32	D2	29	24	TUBE, FUEL RETURN	C11	24	7
O-RING	D2	29	28	SCREW-WASHER, 5X60	D2	29	26	TUBE, FUEL TANK	C11	24	6
O-RING	D2	29	29	[T]				TANK ASSY.	D9	36	21
O-RING	D2	29	30	SCREEN, INLET	C7	20	7	TANK, FUEL	C11	24	2
O-RING	D2	29	31	SCREW-WASHER	D5	32	19	TUBE, BREATHER	C1	14	12
O-RING	D2	29	32	SCREW-WASHER	D6	33	42	TUBE, CORRUGATE	D10	37	28
O-RING	D2	29	33	SCREW-WASHER, 5X32	D2	29	24	TUBE, FUEL RETURN	C11	24	7
O-RING	D2	29	34	SCREW-WASHER, 5X60	D2	29	26	TUBE, FUEL TANK	C11	24	6
O-RING	D2	29	35	SCREW-WASHER, 5X32	D2	29	24	TUBE, FUEL TANK	C11	24	6
O-RING	D2	29	36	SCREW-WASHER, 5X60	D2	29	26	TUBE, FUEL TANK	C11	24	6
O-RING	D2	29	37	SCREW-WASHER, 5X32	D2	29	24	TUBE, FUEL TANK	C11	24	6
O-RING	D2	29	38	SCREW-WASHER, 5X60	D2	29	26	TUBE, FUEL TANK	C11	24	6
O-RING	D2	29	39	SCREW-WASHER, 5X32	D2	29	24	TUBE, FUEL TANK	C11	24	6
O-RING	D2	29	40	SCREW-WASHER, 5X60	D2	29	26	TUBE, FUEL TANK	C11	24	6
O-RING	D2	29	41	SCREW-WASHER, 5X32	D2	29	24	TUBE, FUEL TANK	C11	24	6
O-RING	D2	29	42	SCREW-WASHER, 5X60	D2	29	26	TUBE, FUEL TANK	C11	24	6
O-RING	D2	29	43	SCREW-WASHER, 5X32	D2	29	24	TUBE, FUEL TANK	C11	24	6
O-RING	D2	29	44	SCREW-WASHER, 5X60	D2	29	26	TUBE, FUEL TANK	C11	24	6
O-RING	D2	29	45	SCREW-WASHER, 5X32	D2	29	24	TUBE, FUEL TANK	C11	24	6
O-RING	D2	29	46	SCREW-WASHER, 5X60	D2	29	26	TUBE, FUEL TANK	C11	24	6
O-RING	D2	29	47	SCREW-WASHER, 5X32	D2	29	24	TUBE, FUEL TANK	C11	24	6
O-RING	D2	29	48	SCREW-WASHER, 5X60	D2	29	26	TUBE, FUEL TANK	C11	24	6
O-RING	D2	29	49	SCREW-WASHER, 5X32	D2	29	24	TUBE, FUEL TANK	C11	24	6
O-RING	D2	29	50	SCREW-WASHER, 5X60	D2	29	26	TUBE, FUEL TANK	C11	24	6



PART NAME INDEX

F 3

Part name	Address	Page	Ref.	Part name	Address	Page	Ref.	Part name	Address	Page	Ref.
TUBE, OIL	C1	14	6								
[V]											
VALVE	D2	29	9								
			23								
	D5	32	6								
	D6	33	36								
VALVE, EX.	C4	17	6								
VALVE, INLET NEEDLE	C7	20	8								
VALVE, IN.	C4	17	5								
VALVE, OIL OUTLET	C1	14	8								
[W]											
WASHER	C7	20	20								
	C8	21	30								
	D3	30	10								
	D7	34	10								
WASHER, 6MM	D10	37	36								
WASHER, CLUTCH	C6	19	4								
WASHER, PLAIN	D2	29	7								
	D10	37	36								
WASHER, PLAIN, 8MM	D2	29	5								
WASHER, SPRING	D1	28	4								
	D10	37	37								
WASHER, SPRING, 6MM	D10	37	37								
WASHER, WAVE	C6	19	5								
WIRE, THROTTLE	D10	37	30								
WRENCH, HEX., 4MM	D15	42	3								
WRENCH, PLUG	D15	42	2								

1

FOREWORD INDEX

2

ENGINE GROUP

3

FRAME GROUP

4

PART NUMBER INDEX

5

PART NAME INDEX

HONDA
The Power of Dreams



PARTS CATALOGUE NEWS

Honda Motor Co., Ltd. Service Division

CODE NO.	BOOKLET TYPE	13YG9402
	MICRO-FICHE	13YG94EB/FB
PARTS CATALOGUE NEWS	WJR2525	
NEWS NO.	001	

Printed in Japan

WJR2525, sales parts information

NOTE: This type has been added into model WJR2525

As for the parts not listed on this Parts Catalogue News, use the parts of base type.

Model	Type	Parts catalogue type		Applicable engine serial No.	Applicable frame serial No.
		Base model	Additional model		
WJR2525	D	D	D/A	GCAAM-1200001~	WAMJ-1010001~

NOTE A:PART NO.CHANGE D:NEWLY PROVIDED E:PART NO.DELETION K:REQUIRED NO.CORRECTION L:APPLICATION SERIAL NO.CORRECTION T:APPLICATION CORRECTION Z:REMARKS CHANGE

PARTS CATALOGUE NEWS

BOOKNo.:13YG9402

Block No.	Ref. No.	Part No.	Description	Reqd.QTY		Base Part No.	Parts catalogue code
				WJR 1525	WJR 2525		
E-2	1	10100-Z0H-425	CRANKCASE SET	-	1	10100-Z0H-415	
E-17	2	17511-Z0H-013	TANK, FUEL	-	1	17511-Z0H-003	
	4	17620-ZM3-053	CAP ASSY., FUEL TANK	-	1	17620-ZM3-043	

NOTE A:PART NO.CHANGE D:NEWLY PROVIDED E:PART NO.DELETION K:REQUIRED NO.CORRECTION L:APPLICATION SERIAL NO.CORRECTION
T:APPLICATION CORRECTION Z:REMARKS CHANGE

