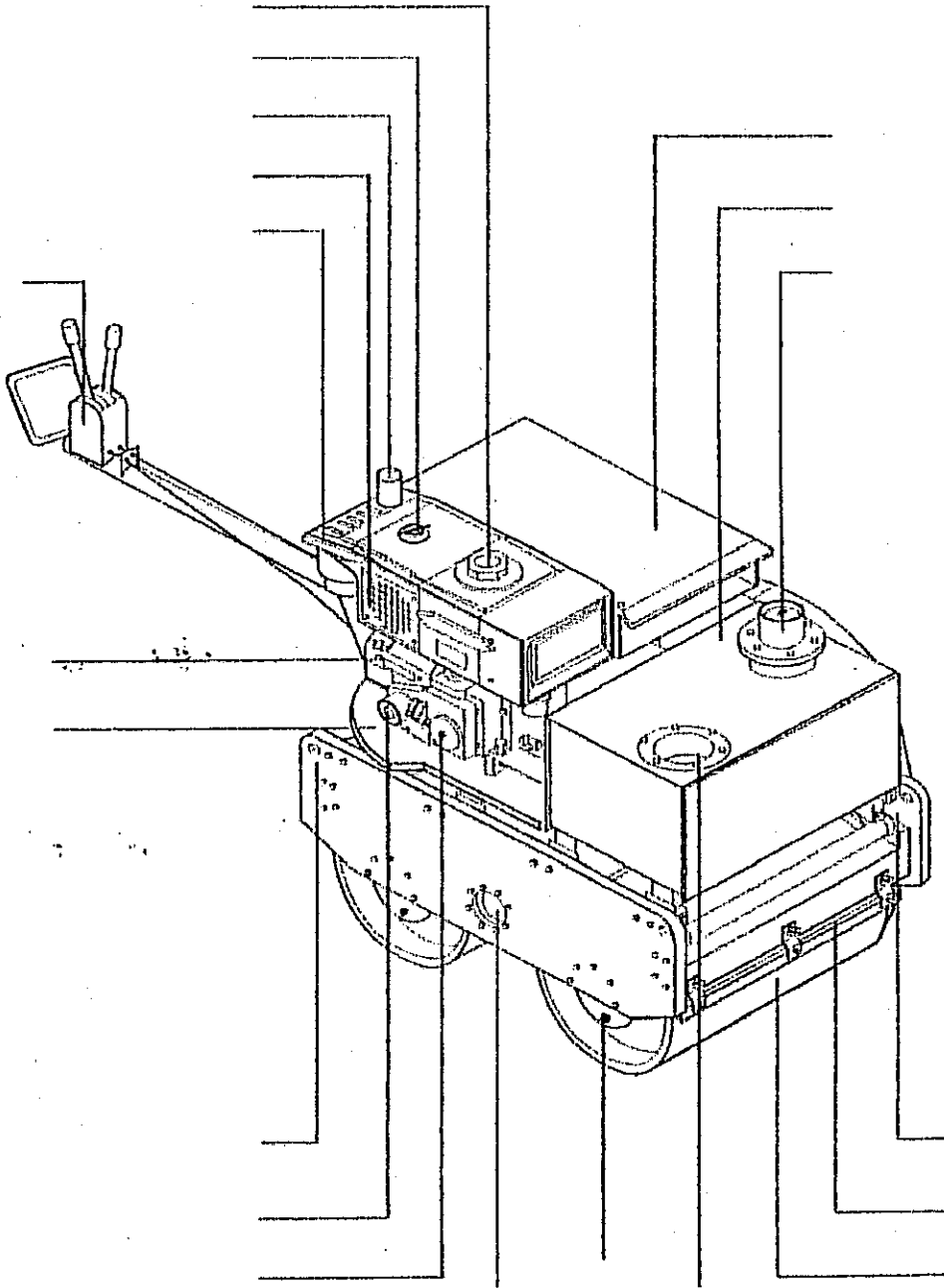


# MANUAL DEL OPERADOR

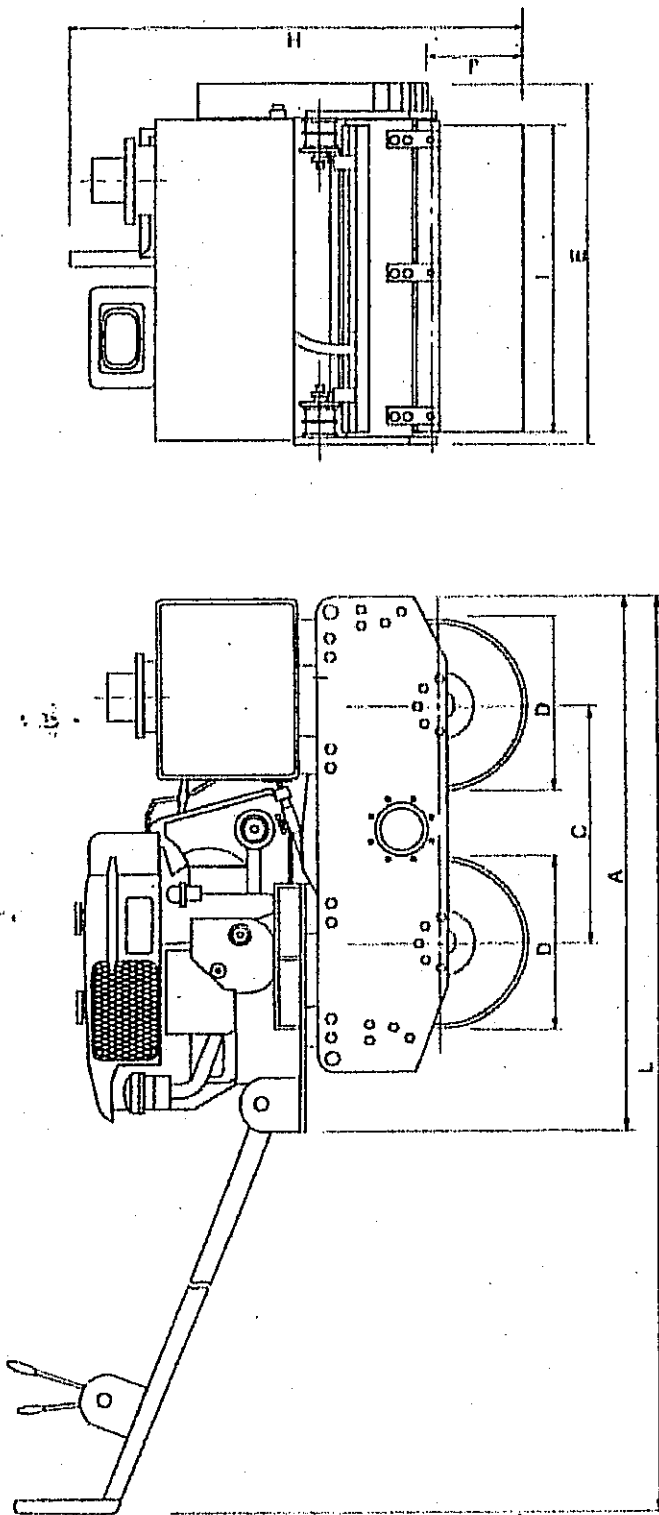
**RODILLO DOBLE MOD :**

**RVD-2000**

# ESTRUCTURA Y COMPONENTES



# DIMENSION STANDARD



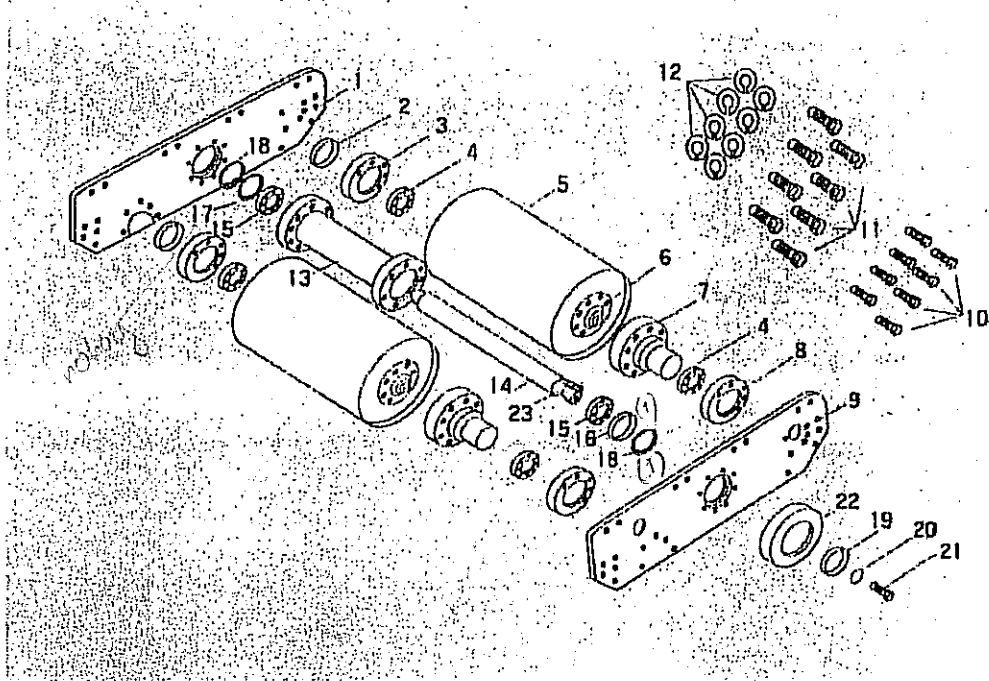
(UNIT: mm)

MODEL	L	H	I	D	E	J	C	A
RVD-2000	2710	1170	700	405	840	200	550	1300

# DATOS TECNICOS

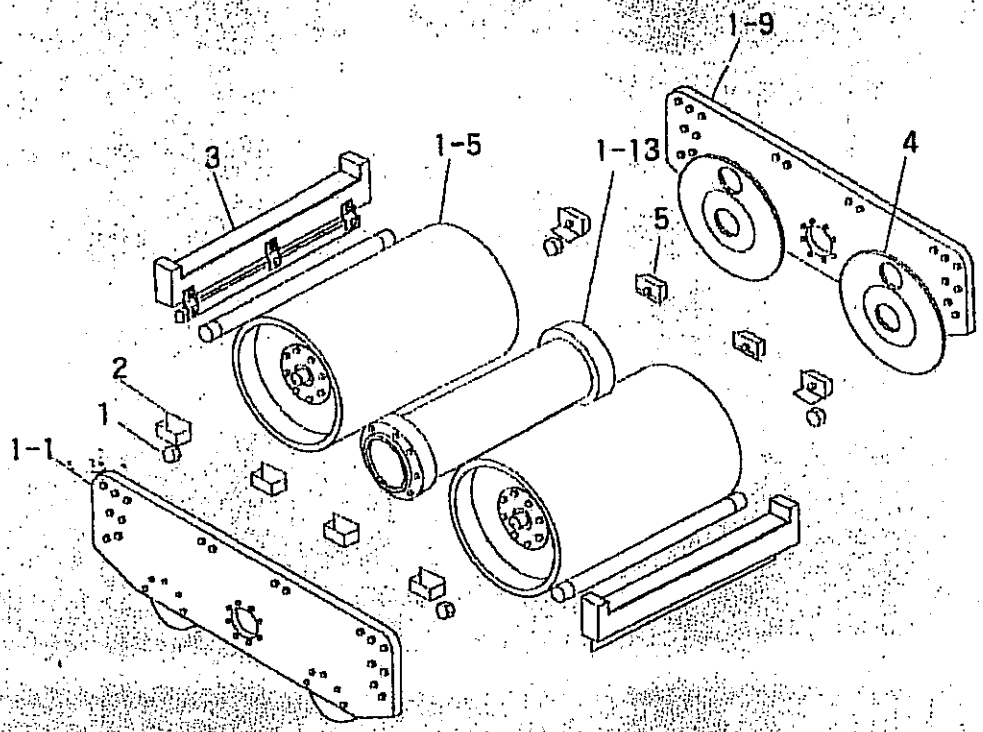
<b>MODELO</b>	<b>RODILLO DOBLE</b>
<b>PESO</b>	750kg
<b>CAPACIDAD DE AGUA</b>	55 l
<b>RPM</b>	3000VPM
<b>MOTOR</b>	8 IP
<b>GRADO DE ABILIDAD</b>	25°
<b>UNIDAD DE MANEJO</b>	Transmission
<b>SISTEMA VIBRATORIO</b>	Velt Clutch
<b>BATERIA</b>	12V
<b>VELOCIDAD</b>	0-5 km
<b>FUERZA CENTRIFUGA</b>	3t

1. PARTES DEL TANQUE (1)



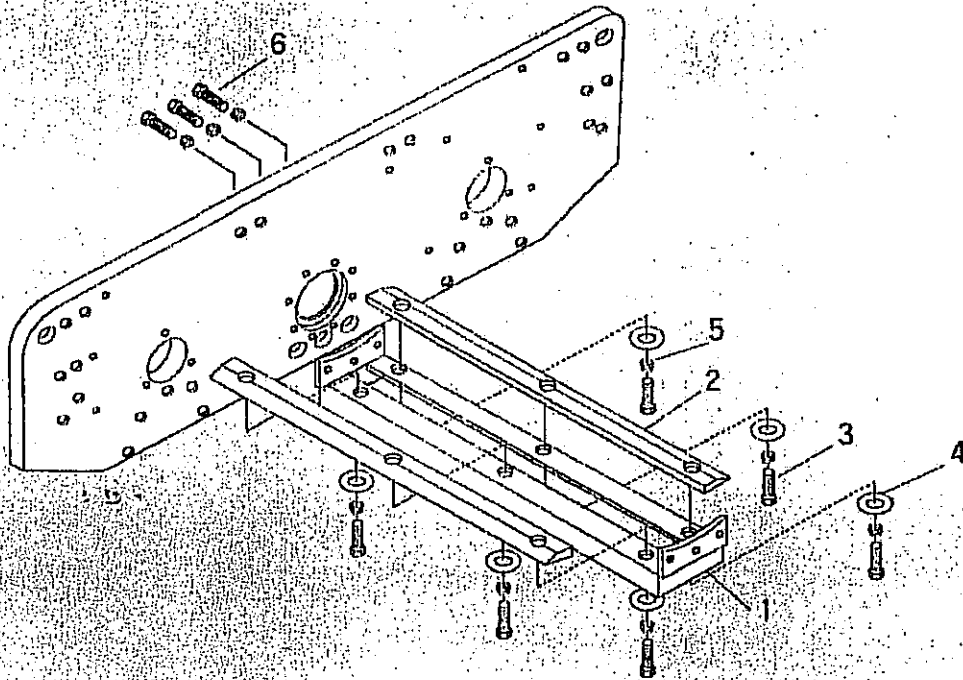
REF. NO.	PART NO.	PART NAME	SPECIFICATIONS	Q' TY
1-1	SYC-10001	SIDE COVER (R)		1
1-2	R409D10	OIL SEAL	40x90x10	2
1-3	SYC-10002	BEARING HOUSING		
1-4	B308	BALL BEARING	308	
1-5	SYC-10003	DRUM		2
1-6	SYC-10004	DRUM SHAFT		2
1-7	SYC-10005	GEAR		2
1-8	SYC-10006	BEARING HOUSING		2
1-9	SYC-10007	SIDE COVER(L)		
1-10	L1230	BOLT	M12x1.75x30	16
1-11	1230	BOLT	M12x1.75x30	16
1-12	S1200	SPRING WASHER	M12	16
1-13	SYC-10008	VIBRATION HOUSING		1
1-14	SYC-10009	SHAFT		1
1-15	B308	BALL BEARING	6308	2
1-16	R409D10	OIL SEAL	40x90x10	1
1-17	R1090	OIL SEAL		1
1-18	SR90	SNAP RING	R90	2
1-19	P1000	PLAIN WASHER	M10	1
1-20	S1000	SPRING WASHER	M10	1
1-21	1020	BOLT	M10x30	1
1-22	SYC-10010	V-PULLEY		
1-23	SYC-10011	KEY	7x7x3.5	

2. PARTES DEL TANQUE (2)



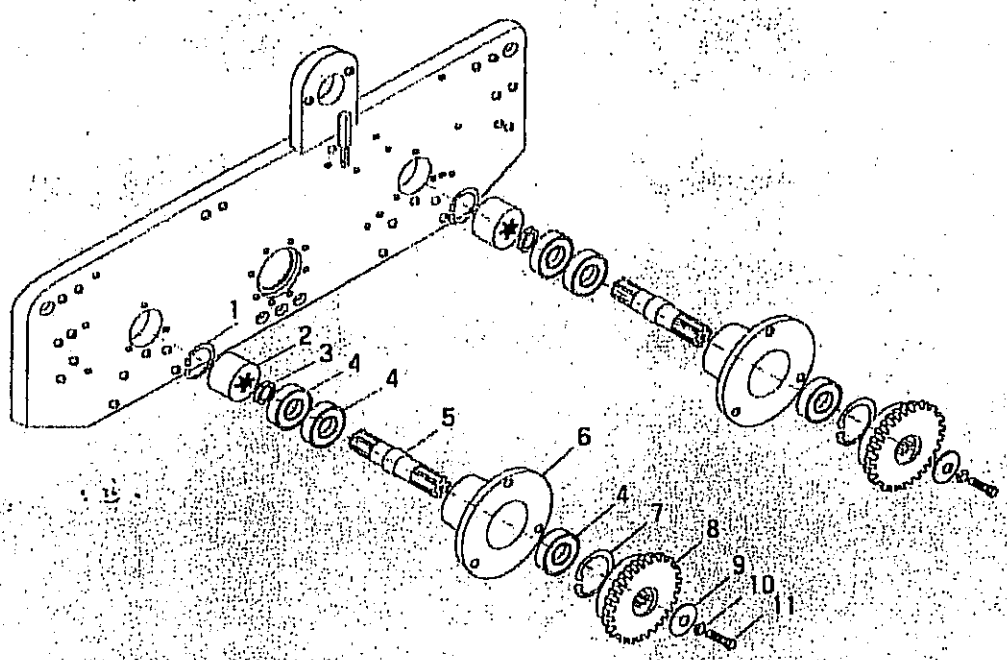
REF. NO.	PART NO.	PART NAME	SPECIFICATIONS	Q' TY
1-1	SYC-10001	SIDE COVER (R)		
2-1	SYC-10013	WATER HOSE		
2-2	SYC-10014	UPPER COVER CONNECTOR		
2-3	SYC-10015	MUD GUARD CONNECTOR (A)		
1-5	SYC-10003	DRUM		
1-13	SYC-10008	VIBRATION HOUSING		
1-9	SYC-10007	SIDE COVER (L)		
2-4	SYC-10019	HOUSING, OIL SEAL		2
2-5	SYC-10020	ANTI-VIBRATION RUBBER		8

3. PARTES DE CONECCION



REF. NO.	PART. NO.	PART NAME	SPECIFICATIONS	QTY
3-1	SYC-10021	MUD-GUARD CONNECTOR (B)		
3-2	SYC-10022	MUD-GUARD		
3-3	1025	BOLT	M10x1.5x25	6
3-4	S1000	SPRING WASHER	M10	6
3-5	P1000	PLAIN WASHER	M10	6
3-6	1025	BOLT	M10x1.5x25	3

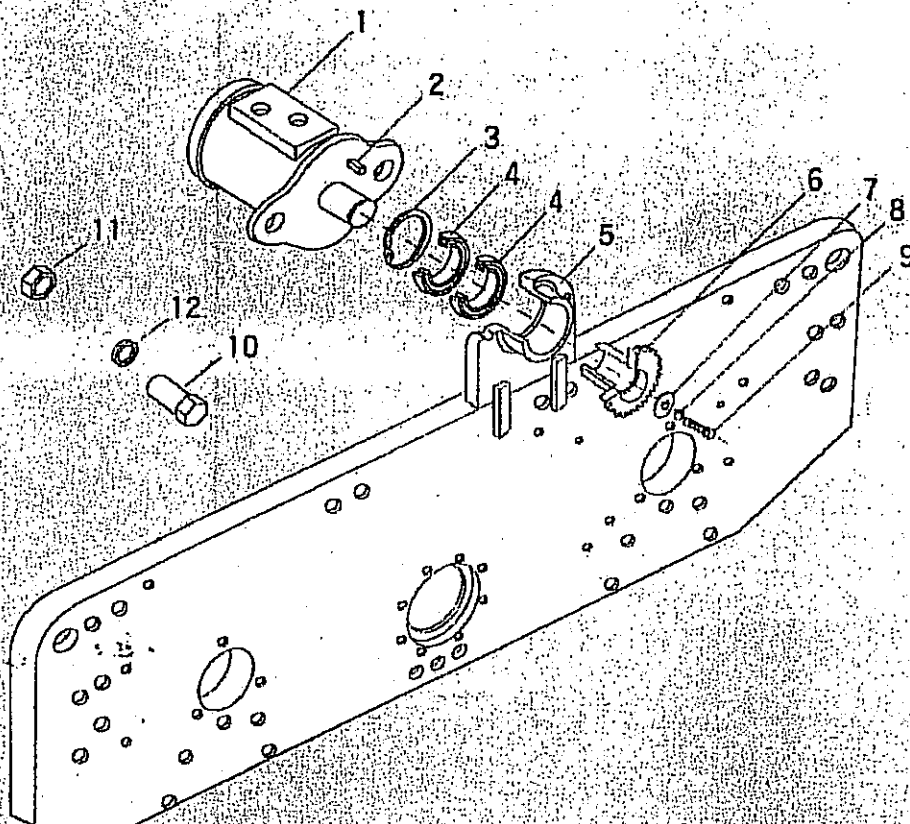
4. PARTES DE LA CADENA



REF. NO.	PART NO.	PART NAME	SPECIFICATIONS	Q' TY
4-1	SS25	SNAP RING	S25	2
4-2	SYC-10023	GEAR		2
4-3	SYC-10024	RING		2
4-4	B206	BEARING	6206	6
4-5	SYC-10025	SHAFT		2
4-6	SYC-10026	HOUSING, GEAR		2
4-7	SR62	SNAP RING	R62	2
4-8	SYC-10027	CHAIN GEAR		2
4-9	P1000	PLAIN WASHER	M10	2
4-10	S1000	SPRING WASHER	M10	2
4-11	1025	BOLT	M10x1.5x25	2

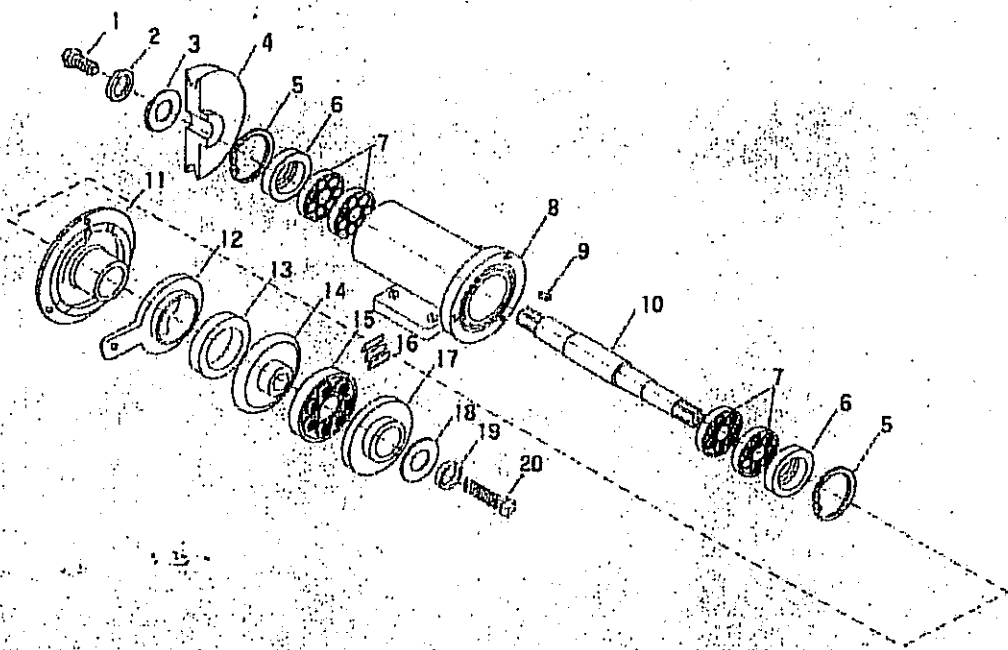


### 5. MOTOR DE LA BOMBA HIDRAULICA



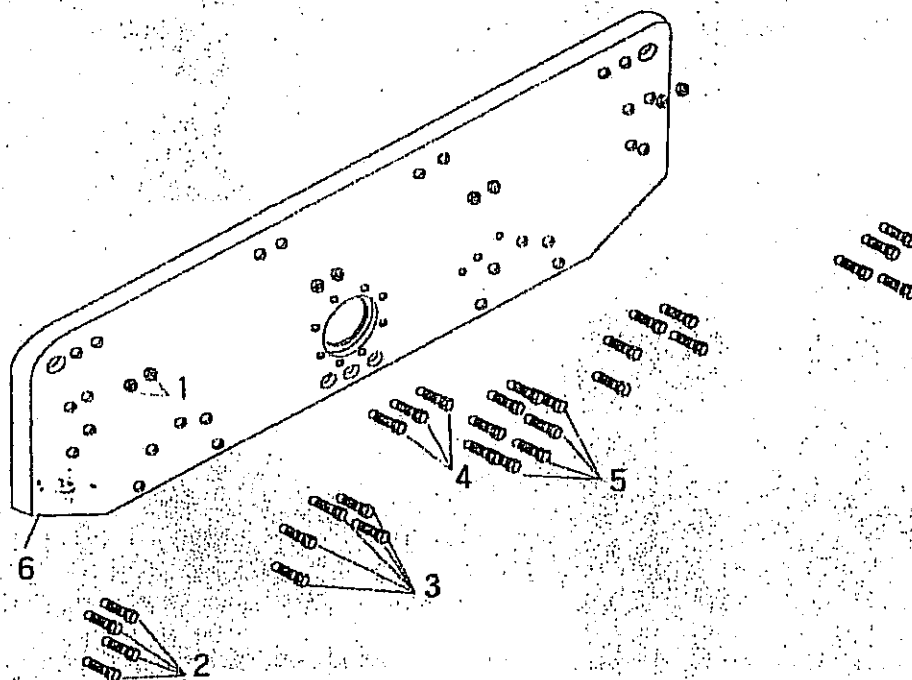
REF. NO.	PART NO.	PART NAME	SPECIFICATIONS	Q' TY.
5-1	SYC-10028	DRIVE MOTOR	-	
5-2	SYC-10029	KEY		
5-3	S68S	SNAP RING	68S	
5-4	B008	BEARING	6008	2
5-5	SYC-10030	HOUSING, MOTOR		
5-6	SYC-10031	CHAIN GEAR		
5-7	P0800	PLAIN WASHER	M18	
5-8	S0800	SPRING WASHER	M18	
5-9	B0840	BOLT	M8x1.25x40	
5-10	B1255	BOLT	M12x1.25x55	2
5-11	N1200	NUT	M12x1.25	2
5-12	S1200	SPRING WASHER	M12	2

12. PARTE DE LA VIBRACION



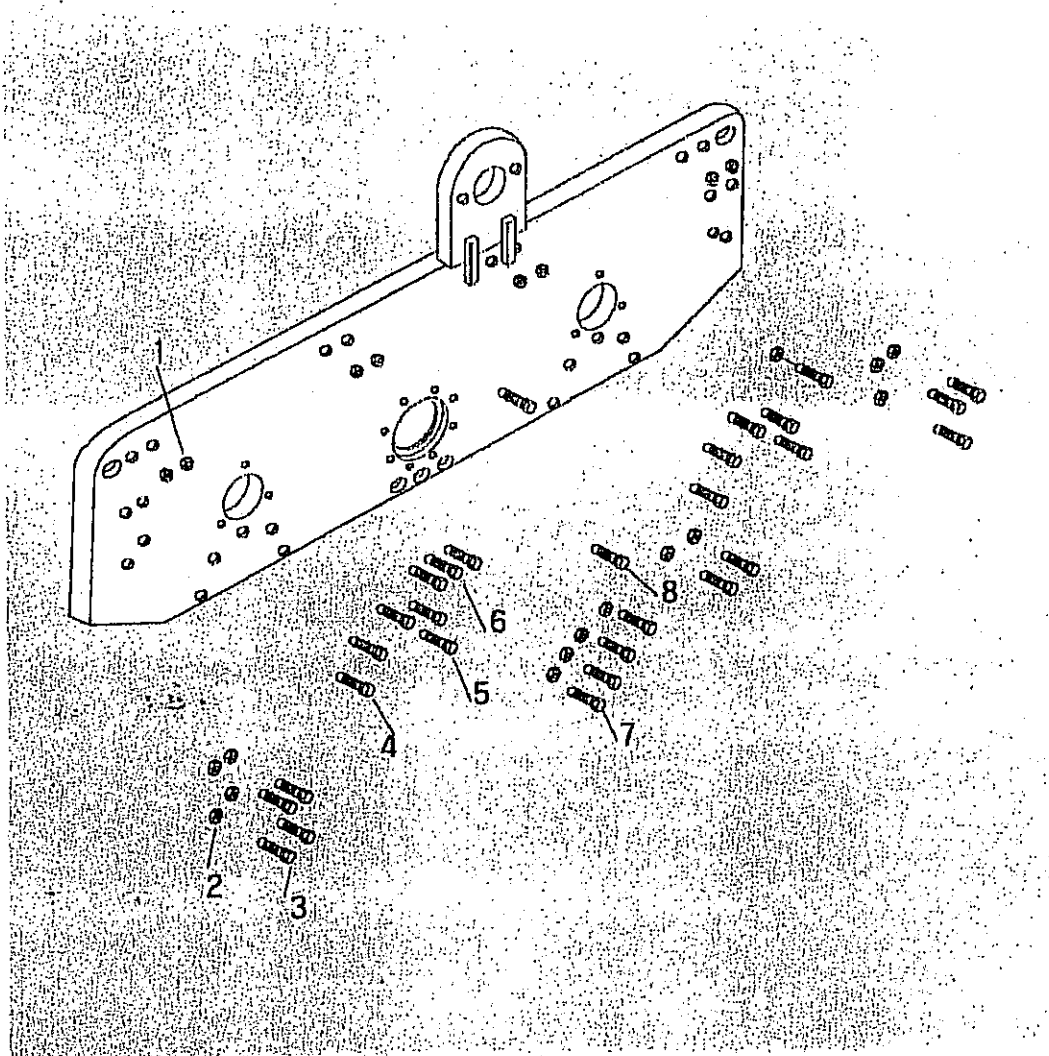
REF. NO.	PART NO.	PART NAME	SPECIFICATIONS	Q' TY
12-1	1025	BOLT	M10x1.5x25	
12-2	S1200	SPRING WASHER	M12	
12-3	P1200	PLAIN WASHER	M12	
12-4	SYC-10076	V-PULLEY		1
12-5	SR62	SNAP RING	R62	
12-6	R623010	OIL SEAL	62x30x10	
12-7	R206	BEARING	6206	4
12-8	SYC-10077	HOUSING, VIBRATION		1
12-9	SYC-10078	KEY	7x7x30	
12-10	SYC-10079	BASE SHAFT		1
12-11	SYC-10080	HOUSING, CLUTCH		1
12-12	SYC-10081	CLUTCH SHAFT		1
12-13	B51108-1	BEARING	51108-1	
12-14	SYC-10082	V-PULLEY SHAFT		
12-15	B008	BEARING	6008	
12-16	SYC-10083	SPRING		3
12-17	SYC-10084	V-PULLEY		1
12-18	P1000	PLAIN WASHER	M10	
12-19	S1000	SPRING WASHER	M10	
12-20	1025	BOLT	M10x25	

### 6. TAPA LATERAL (DERECHA)



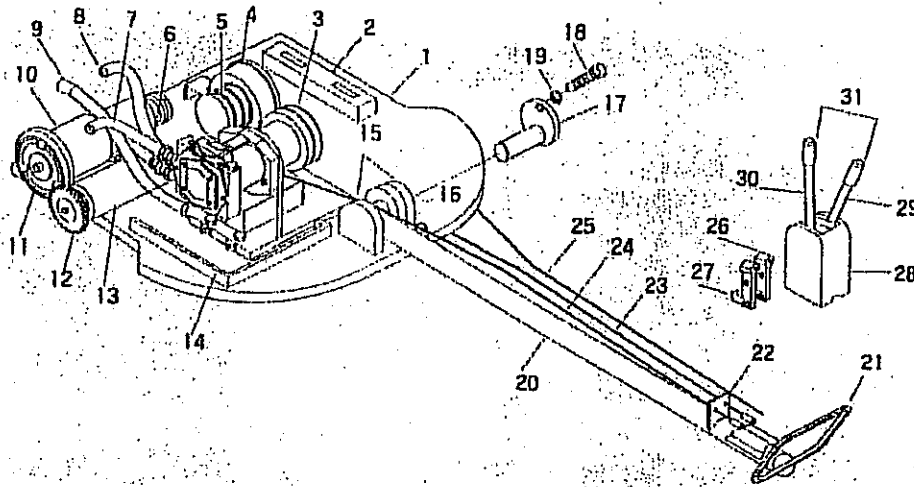
REF. NO.	PART NO.	PART NAME	SPECIFICATIONS	Q' TY
6-1	N1400	NUT	M14x1.5	8
6-2	1225	BOLT	M12x1.75x25	8
6-3	1245	BOLT	M12x1.75x45	10
6-4	L1020	BOLT	M10x1.5x20	3
6-5	L1245	BOLT	M12x1.75x45	8

7. TAPA LATERAL (IZQUIERDA)



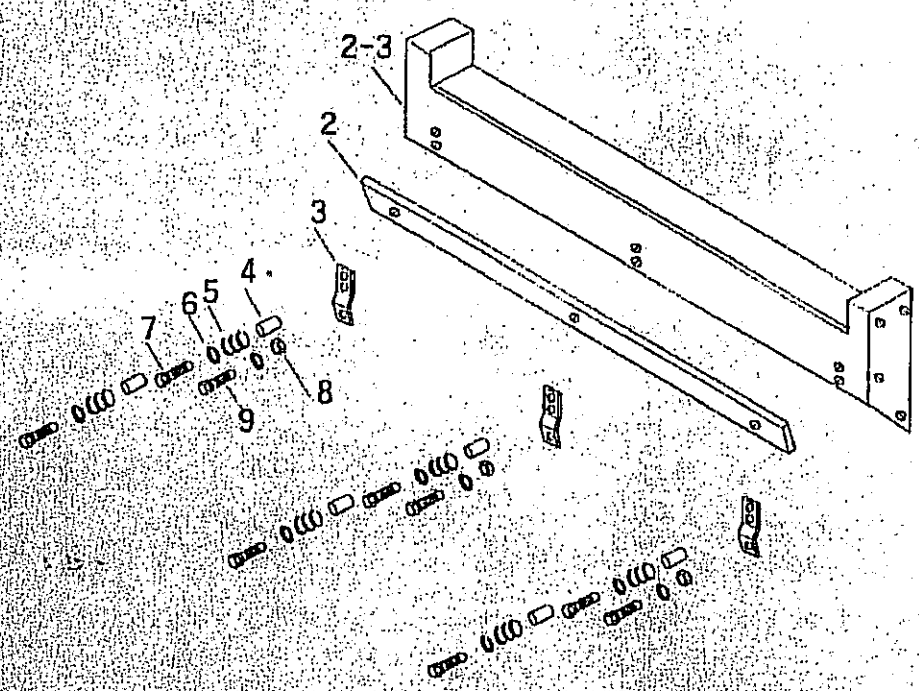
REF. NO.	PART. NO.	PART. NAME.	SPECIFICATIONS	Q' TY
7-1	N1400	NUT	M14x1.5	8
7-2	S1200	SPRING WASHER	M12	14
7-3	1230	BOLT	M12x1.75x30	8
7-4	1255	BOLT	M12x1.75x55	6
7-5	L1255	BOLT	M12c1.75x55	4
7-6	L1025	BOLT	M10x1.5x25	3
7-7	1245	BOLT	M12x1.5x45	6
7-8	L1245	BOLT	M12x1.5x45	2

8. PARTES DEL CUERPO (SUPERIOR)



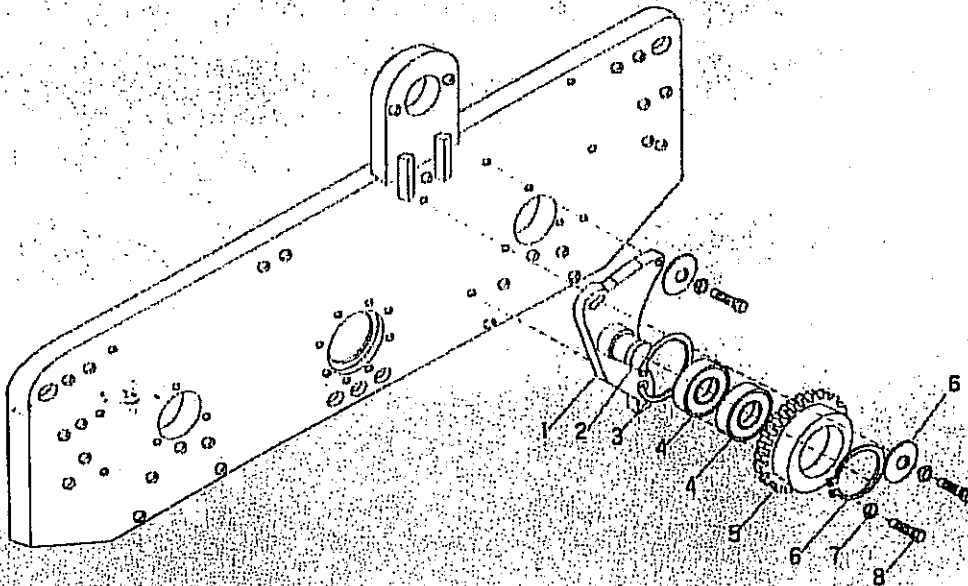
REF. NO.	PART NO.	PART NAME	SPECIFICATIONS	Q' TY
8-1	SYC-10032	ENGINE BASE PLATE		
8-2	SYC-10033	ENGINE BRACKET		
8-3	SYC-10034	V-PULLEY	82x6	
8-4	SYC-10035	CLUTCH		
8-5	SYC-10036	HYDRAULIC PUMP		
8-6	SYC-10037	FLOW OUTLET	1/2x420 l	1
8-7	SYC-10038	FLOW INLET	1/2x470 l	1
8-8	SYC-10039	DRAIN HOSE	1/2x550 l	1
8-9	SYC-10040	HYDRAULIC HOSE	1/2x650 l	1
8-10	SYC-10041	CLUTCH		
8-11	SYC-10042	V-PULLEY		
8-12	SYC-10043	GEAR		
8-13	SYC-10044	HYDRAULIC MOTOR		
8-14	SYC-10045	COVER FIX		
8-15	SYC-10046	HANDLE FIXING		
8-16	SYC-10047	HANDLE SUPPORTER		
8-17	SYC-10048	ADJUSTING SHAFT		
8-18	1020	BOLT		
8-19	S1000	SPRING WASHER	M10x1.5x20	
8-20	SYC-10049	HANDLE	M10	
8-21	SYC-10050	HANDLE GRIP		
8-22	SYC-10051	CABLE FIXING		
8-23	SYC-10052	CABLE		
8-24	SYC-10053	VIBRATING CABLE		
8-25	SYC-10054	ENGINE CABLE		
8-26	SYC-10055	CABLE CLIP		
8-27	SYC-10056	TURN BUCKLE		
8-28	SYC-10057	LEVER BOX		
8-29	SYC-10058	LEVER, FORWARD/BACKWARD		
8-30	SYC-10059	LEVER, VIBRATION		
8-31	SYC-10060	LEVER CAP		

9. TOLVA GUARDA PARTES



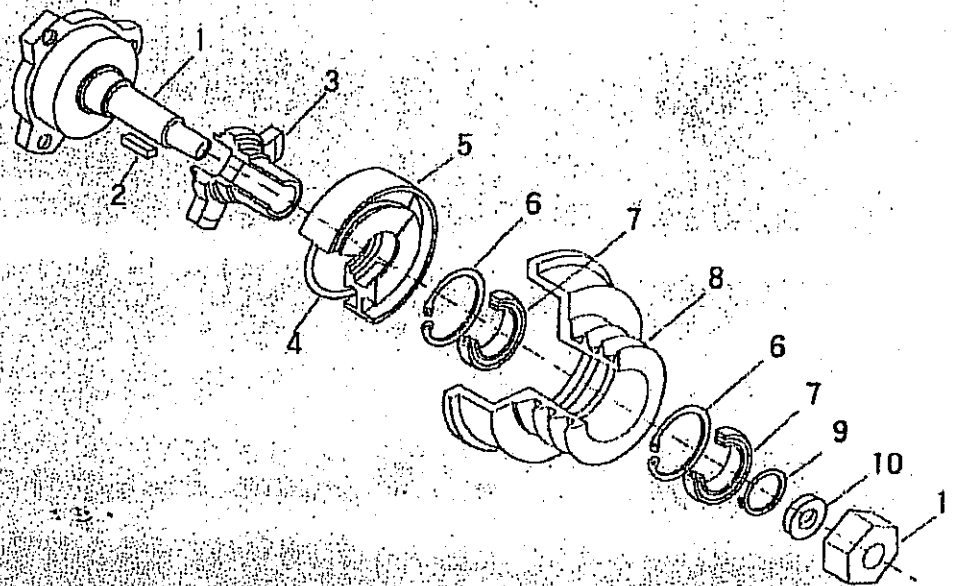
REF. NO.	PART NO.	PART NAME	SPECIFICATIONS	Q'TY
2-3	SYC-10015	MUD GUARD CONNECTOR (A)		2
9-2	SYC-10062	MUD GUARD		2
9-3	SYC-10063	MOUNTING PLATE, MUD-GUARD		6
9-4	SYC-10064	RING		12
9-5	SYC-10065	SPRING		12
9-6	S1000	SPRING WASHER		18
9-7	1045	BOLT	M10x1.5x45	12
9-8	P1000	PLAIN WASHER	M10	6
9-9	1025	BOLT	M10x1.5x25	6

## 10. PARTES DE AJUSTE DE LA CADENA



REF. NO.	PART NO.	PART NAME	SPECIFICATIONS	QTY
10-1	SYC-10066	CHAIN ADJUSTING PLATE		
10-2	SYC-10067	CHAIN SHAFT		
10-3	SR62	SNAP RING	R62	
10-4	B007	BEARING	6007	
10-5	SYC-10068	CHAIN GEAR, TENSION		1
10-6	SS35	SNAP RING	S35	
10-7	S1200	SPRING WASHER	M12	3
10-8	I230	BOLT	M12x1.75x30	3
10-9	P1200	PLAIN WASHER	M12	

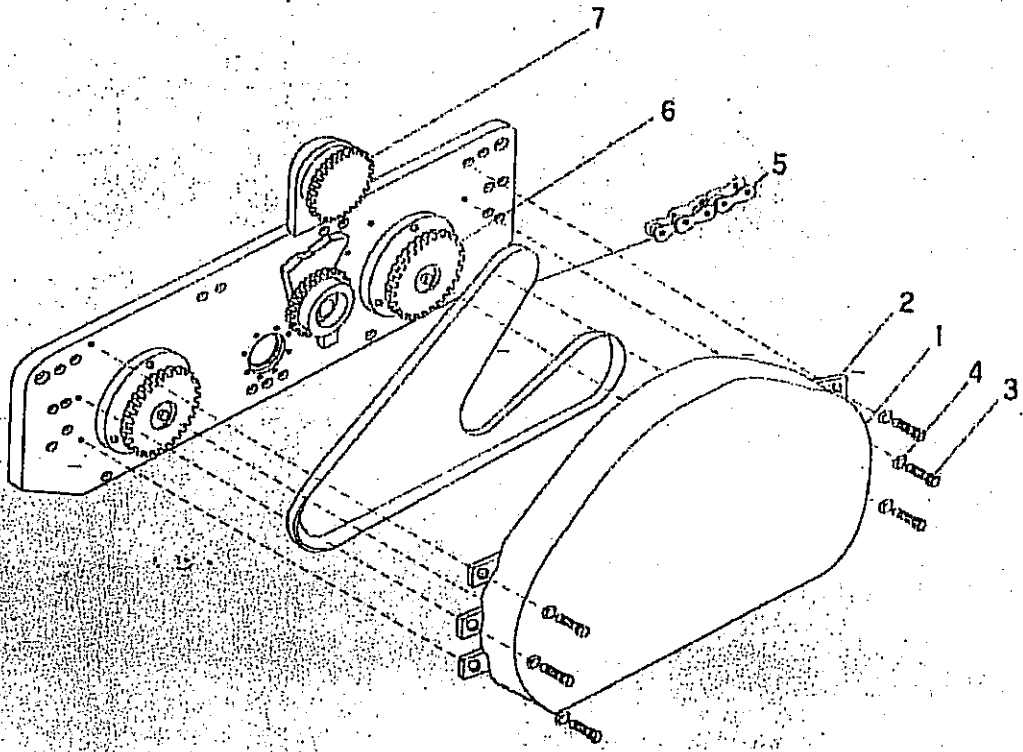
11. EMBRAGUE



REF. NO.	PART NO.	PART NAME	SPECIFICATIONS	Q' TY
11-1	SYC-10069	HOUSING, CLUTCH		
11-2	SYC-10070	KEY	7x7x30	
11-3	SYC-10071	CLUTCH		
11-4	SYC-10072	SPRING		
11-5	SYC-10073	CLUTCH BAND		
11-6	SR68	SNAP RING	R68	
11-7	B008	BEARING	6008	2
11-8	SYC-10074	V-PULLEY, CLUTCH		
11-9	SS40	SNAP RING	S40	
11-10	SYC-10075	RING		
11-11	N900	NUT		

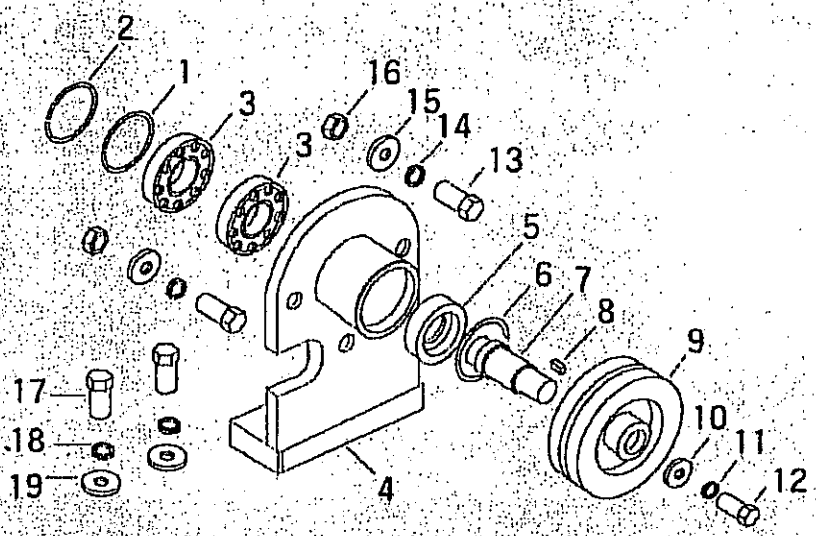


13. PARTES DEL GABINETE Y CADENA



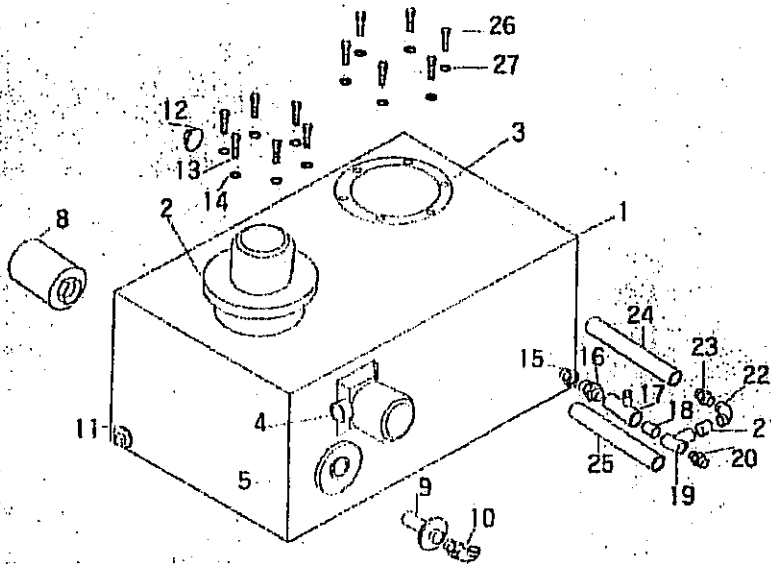
REF. NO.	PART NO.	PART NAME	SPECIFICATIONS	Q' TY
13-1	SYC-10085	CHAIN COVER		
13-2	SYC-10086	SET PLATE, CHAIN COVER		
13-3	1020	BOLT		
13-4	- S1000	SPRING WASHER	M10x1.5x20	6
13-5	SYC-10087	CHAIN	M10	6
4-8	SYC-10027	CHAIN GEAR	60#	
13-6	SYC-10089	MOTOR CHAIN GEAR		

14. BOMBA HIDRAULICA INTERIOR



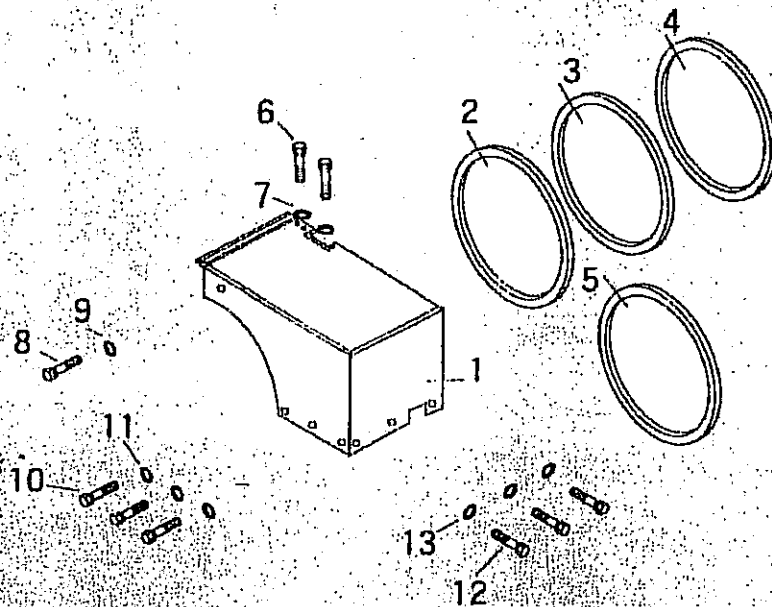
REF. NO.	PART NO.	PART NAME	SPECIFICATIONS	Q' TY
14-1	SR72	SNAP RING	R72	
14-2	SYC-10090	O-RING		
14-3	B207	BEARING	6207	
14-4	SYC-10091	PUMP HOUSING		
14-5	R723510	OIL SEAL	72x35x10	
14-6	SR72	SNAP RING	R72	
14-7	SYC-10092	PUMP HOUSING SHAFT		
14-8	SYC-10093	KEY	7x7x30	
14-9	SYC-10094	V-PULLEY		
14-10	P1000	PLAIN WASHER	M10	
14-11	S1000	SPRING WASHER	M10	
14-12	1025	BOLT	M10x1.5x25	1
14-13	1450	BOLT	M14x2.0x50	2
14-14	S1400	SPRING WASHER	M14	2
14-15	P1400	PLAIN WASHER	M14	2
14-16	1400	NUT	M14x2.0	2
14-17	1635	BOLT	M16x2.0x35	2
14-18	S1600	SPRING WASHER	M160	2
14-19	P1600	PLAIN WASHER	M16	2

15. TANQUE DE AGUA



REF. NO.	PART NO.	PART NAME	SPECIFICATIONS	Q' TY
15-1	SYC-10095	WATER TANK		
15-2	SYC-10096	HYD. TANK		
15-3	SYC-10097	WATER INLET		
15-4	SYC-10098	HYD. DRAINER		
15-5	SYC-10099	SUB-HYD. INLET		
15-6	SYC-10100	AIR CLEANER		
15-7	SYC-10101	HYDRUALIC FILTER	1"	
15-8	SYC-10102	HYD. STRAINER		
15-9	SYC-10103	STRAINER FIX		
15-10	SYC-10104	HYDRAULIC INLET		
15-11	SYC-10105	HYD. DRAINER	1/2	
15-12	SYC-10106	WATER DRAINER	1/2	
15-13	1020	BOLT	M10x1.5x20	
15-14	S1000	SPRING WASHER	M10	
15-15	SYC-10107	CONNECTION NUT	1"	
15-16	SYC-10108	NIPPLE	3/4	
15-17	SYC-10109	WATER VALVE	3/4	
15-18	SYC-10110	JOINTER	3/4	
15-19	SYC-10111	TEE CONNECTOR	3/4	
15-20	SYC-10112	NIPPLE	3/4	
15-21	SYC-10113	JOINTER	3/4	
15-22	SYC-10114	ELBOW	3/4	
15-23	SYC-10115	NIPPLE	3/4	
15-24	SYC-10116	WATER HOSE (R)	3/4	
15-25	SYC-10117	WATER HOSE (L)	3/4	
15-26	1020	BOLT	M10x1.5x20	
15-27	S1000	SPRING WASHER	M10	

16. BANDA & TOLVA



REF. NO.	PART NO.	PART NAME	SPECIFICATIONS	Q' TY
16-1	SYC-10118	COVER, REAR		
16-2	SYC-10119	BELT, CLUTCH	B34	
16-3	SYC-10120	BELT, PUMP	B34	
16-4	SYC-10121	BELT, PUMP	B34	
16-5	SYC-10122	BELT, VIBRATING	B38	
16-6	1020	BOLT	M10x1.5x20	
16-7	S1000	SPRING WASHER	M10	
16-8	1020	BOLT	M10x1.5x20	
16-9	S1000	SPRING WASHER	M10	
16-10	1020	BOLT	M10x1.5x20	
16-11	S1000	SPRING WASHER	M10	
16-12	1020	BOLT	M10x1.5x20	
16-13	S1000	SPRING WASHER	M10	