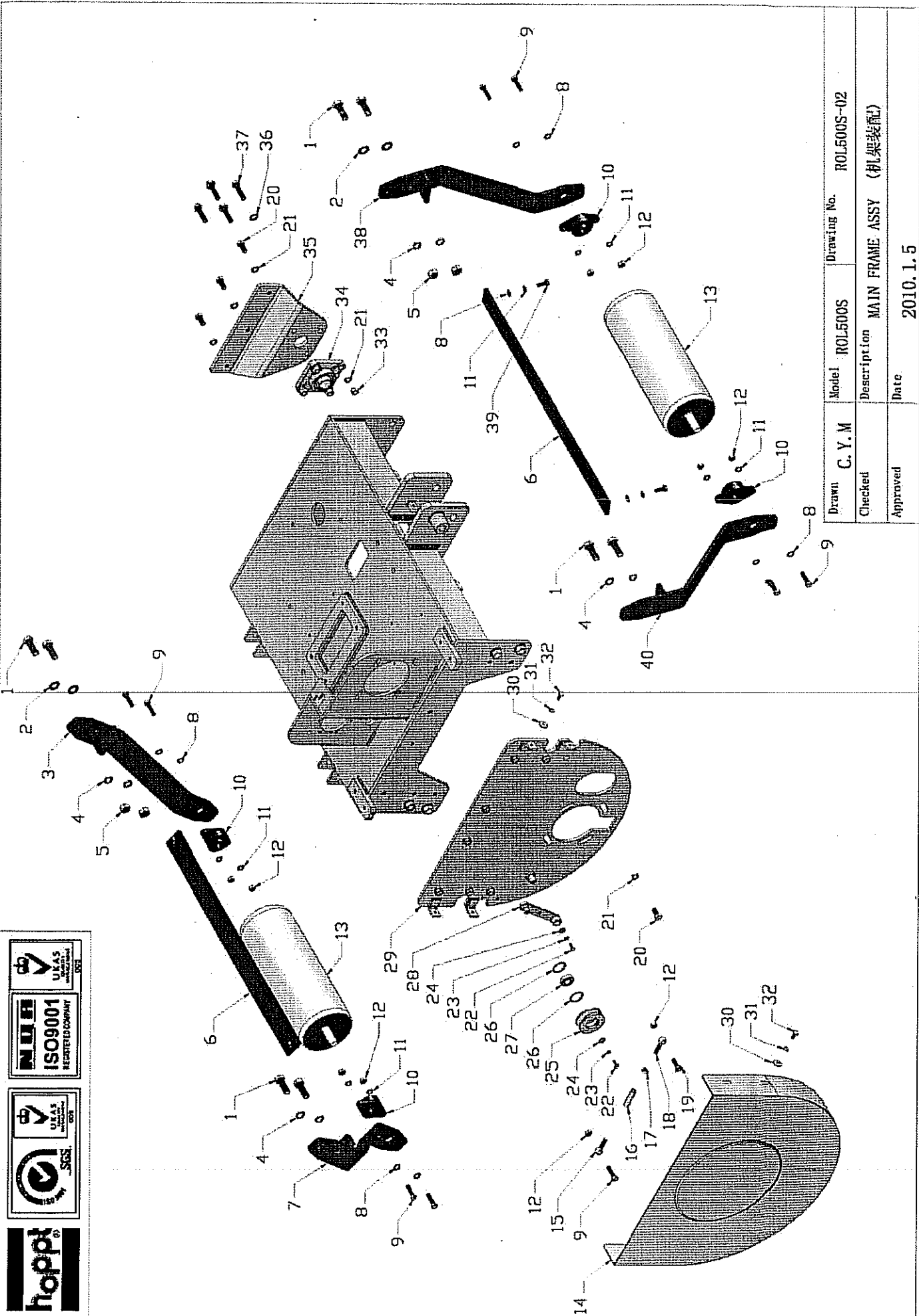
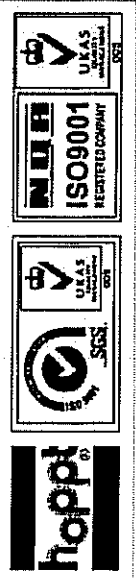


Drawn	C. Y. M	Model	ROL500S	Drawing No.	ROL500SH-00
Checked		Description	MAIN ASSY	(整机装配)	
Approved		Date	2010. 1. 26		

## ROL500SH-00 MAIN ASSY

NO. 序号	PART NO. 图号	PART DESCRIPTION 品名	QTY 数量
01-1	ROL500SH-01	TRANSPORT HOOKS ASSY (吊架装配)	1
01-2	ROL500S-01	MOTHER BOARD ASSY (底板装配)	1
01-3	ROL500S-02	MAIN FRAME ASSY (机架装配)	1
01-4	ROL500S-03	BASE PLATE & ENGINE ASSY (引擎装配)	1
01-5	ROL500S-04	WATER TANK & COVER ASSY (水箱装配)	1
01-6	ROL500S-05	OPERATION HANDLE ASSY (扶手装配)	1
01-7	ROL500S-06	DRUM ASSY (钢轮装配)	1
01-8	ROL500S-07	GEARBOX ASSY (齿轮箱装配)	1



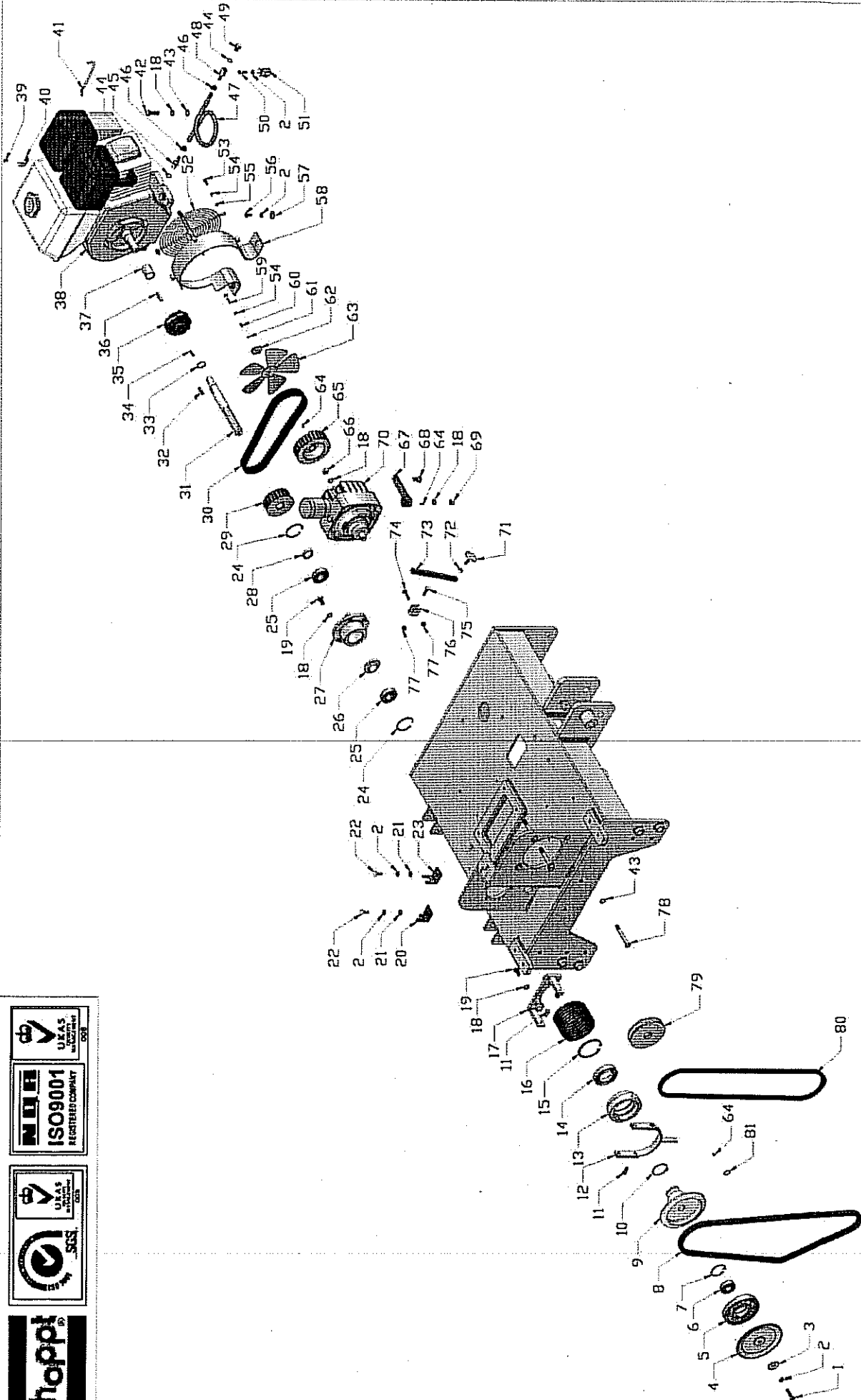
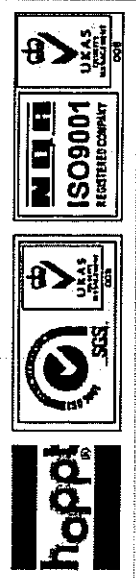
Drawn	C. Y. M	Model	ROL500S	Drawing No.	ROL500S-02
Checked		Description	MAIN FRAME ASSY (机架装配)		
Approved		Date	2010.1.5		

## ROL500S-02 MAIN FRAME ASSY

NO. 序号	PART NO. 图号	PART DESCRIPTION 品名	QTY 数量
02-1	ROL500S-FN.B-M16x45-8.8-DIN-1	BOLT (螺栓)	8
02-2	ROL500S-FN.W16-DIN-1	WASHER (平垫)	4
02-3	ROL500S-010800R	FRONT WHEEL BRACKET,RIGHT (前滚轮右支架)	1
02-4	ROL500S-HSPG.W16-DIN-1	SPRING WASHER,TANG ENDS(重型弹垫)	8
02-5	ROL500S-FN.N-M16-DIN-1	NUT (螺母)	4
02-6	ROL500S-010804	PUST JACKET (刮泥板)	2
02-7	ROL500S-010800L	FRONT WHEEL BRACKET,LEFT (前滚轮左支架)	1
02-8	ROL500S-FN.W10-DIN-1	WASHER (平垫)	12
02-9	ROL500S-FN.B-M10x40-8.8-DIN-1	BOLT (六角螺栓)	9
02-10	ROL500S-W01-UCFL204-G	BEARING (带座轴承)	4
02-11	ROL500S-HSPG.W10-DIN-1	SPRING WASHER,TANG ENDS(重型弹垫)	12
02-12	ROL500S-FN.N-M10-DIN-1	NUT (螺母)	10
02-13	ROL500S-010700	WHEEL (滚轮)	2
02-14	ROL500S-010300	皮带罩	1
02-15	ROL500S-050600R	BOLT (右旋球头螺栓)	1
02-16	ROL500S-050505	NUT (张紧轮调节丝套)	1
02-17	ROL500S-FNL.N-M10-DIN-2	HEXAGON THIN NUT (六角薄螺母)	1
02-18	ROL500S-050600L	BOLT (左旋球头螺栓)	1
02-19	ROL500S-FN.B-M10x30-8.8-DIN-1	BOLT (六角螺栓)	1
02-20	ROL500S-FN.B-M12x25-8.8-DIN-1	BOLT (六角螺栓)	11
02-21	ROL500S-HSPG.W12-DIN-1	SPRING WASHER,TANG ENDS(重型弹垫)	15
02-22	ROL500S-FN.B-M6x16-8.8-DIN-1	BOLT (六角螺栓)	2
02-23	ROL500S-HSPG.W6-DIN-1	SPRING WASHER,TANG ENDS(重型弹垫)	2
02-24	ROL500S-WOD.W6-GB-1	WASHER (大垫圈)	2
02-25	ROL500S-030204	IDLER (张紧轮)	1
02-26	ROL500S-CH.RG35	INTERNAL CIRCLIP (孔用挡圈)	2
02-27	ROL500S-W01-6202ZZ-J	BEARING (轴承)	1
02-28	ROL500S-030700	BELT TENSION (张紧轮支架)	1
02-29	ROL500S-010400	PLATE (带轮固定板)	1
02-30	ROL500S-WOD.W8-GB-1	WASHER (大垫圈)	4
02-31	ROL500S-SPG.W8-DIN-1	SPRING WASHER (弹垫)	4
02-32	ROL500S-FN.B-M8x16-8.8-DIN-1	BOLT (六角螺栓)	4
02-33	ROL500S-FN.N-M12-DIN-1	NUT (螺母)	4
02-34	ROL500S-W01-UCF206-G	BEARING (带座轴承)	1
02-35	ROL500S-010206	BRACKET PLATE (支架板)	1
02-36	ROL500S-FN.W12-DIN-1	WASHER (平垫)	4
02-37	ROL500S-FN.B-M12x50-8.8-DIN-1	BOLT (六角螺栓)	4

## ROL500S-02 MAIN FRAME ASSY

NO. 序号	PART NO. 图号	PART DESCRIPTION 品名	QTY 数量
02-38	ROL500S-010900R	BEHIND WHEEL BRACKET,RIGHT (后滚轮右支架)	1
02-39	ROL500S-FN.B-M10x25-8.8-DIN-1	BOLT (六角螺栓)	4
02-40	ROL500S-010900L	BEHIND WHEEL BRACKET,LEFT (后滚轮左支架)	1



Drawn	C. J	Model	ROL500S	Drawing No.	ROL500S-03
Checked		Description	BASE PLATE & ENGINE ASSY (引擎裝配)		
Approved		Date	2010.05.31		

## ROL500S-03 BASE PLATE & ENGINE ASSY

NO. 序号	PART NO. 图号	PART DESCRIPTION 品名	QTY 数量
03-1	ROL500S-FN.B-M8x35-8.8-DIN-1	BOLT (六角螺栓)	1
03-2	ROL500S-HSPG.W8-DIN-1	SPRING WASHER,TANG ENDS(重型弹垫)	6
03-3	ROL500S-050501	WASHER (垫片)	1
03-4	ROL500S-030301	PULLEY (固定带轮盘)	1
03-5	ROL500S-030308	BEARING BUSH (轴承套)	1
03-6	ROL500S-W01-6204ZZ-J	BEARING (轴承)	1
03-7	ROL500S-CH.RG47	INTERNAL CIRCLIP (孔用挡圈)	1
03-8	ROL500S-W02-B54	BELT (皮带)	1
03-9	ROL500S-030302	SLIDE PULLEY (滑动带轮)	1
03-10	ROL500S-CS.RG45	EXTERNAL CIRCLIP (轴用挡圈)	1
03-11	ROL500S-6.5-051000	BOLT (螺栓)	4
03-12	ROL500S-030400	YOKE (拨叉)	1
03-13	ROL500S-6.5-050500	EXCITER BUSH (滑动套)	1
03-14	ROL500S-W01-6009LLU-J	BEARING (轴承)	1
03-15	ROL500S-CH.RG75	INTERNAL RETAINING RING (孔用挡圈)	1
03-16	ROL500S-6.5-050400	SPRING (弹簧)	1
03-17	ROL500S-030500	SHIFT SUPPORT (支架)	1
03-18	ROL500S-HSPG.W10-DIN-1	SPRING WASHER,TANG ENDS(重型弹垫)	17
03-19	ROL500S-FN.B-M10x20-8.8-DIN-1	BOLT (六角螺栓)	8
03-20	ROL500S-6.5-051600	VIBKATOR CABLE (振动拉线座)	1
03-21	ROL500S-FN.W8-DIN-1	WASHER (平垫)	2
03-22	ROL500S-FN.B-M8x20-8.8-DIN-1	BOLT (六角螺栓)	2
03-23	ROL500S-030304	CONTROL CABLE (控制拉线座)	1
03-24	ROL500S-CH.RG52	INTERNAL CIRCLIP (孔用挡圈)	2
03-25	ROL500S-W01-6205ZZ-J	BEARING (轴承)	2
03-26	ROL500S-030103	BEARING WASHER (轴承挡圈)	1
03-27	ROL500S-030100	FLANGE (法兰)	1
03-28	ROL500S-030207	BUSH (隔套)	1
03-29	ROL500S-030205	DRIVE TIMING BELT PULLEY (主动同步带轮)	1
03-30	ROL500S-W02-310H	TIMING BELT (同步带)	1
03-31	ROL500S-030303	SPLINE SHAFT (花键轴)	1
03-32	ROL500S-Key.A-8x7x28	KEY (平键)	1
03-33	ROL500S-CS.RG25	EXTERNAL CIRCLIP (轴用挡圈)	1
03-34	ROL500S-Key.C-6x6x22	KEY (平键)	1
03-35	ROL500S-030208	COUPLING (联轴器)	1
03-36	ROL500S-Key.B-7x7x32	KEY (平键)	1
03-37	ROL500S-030209	COUPLING BUSH (联轴器挡圈)	1
03-38	ROL500S-W05-GX270-S	ENGINE(引擎)	1

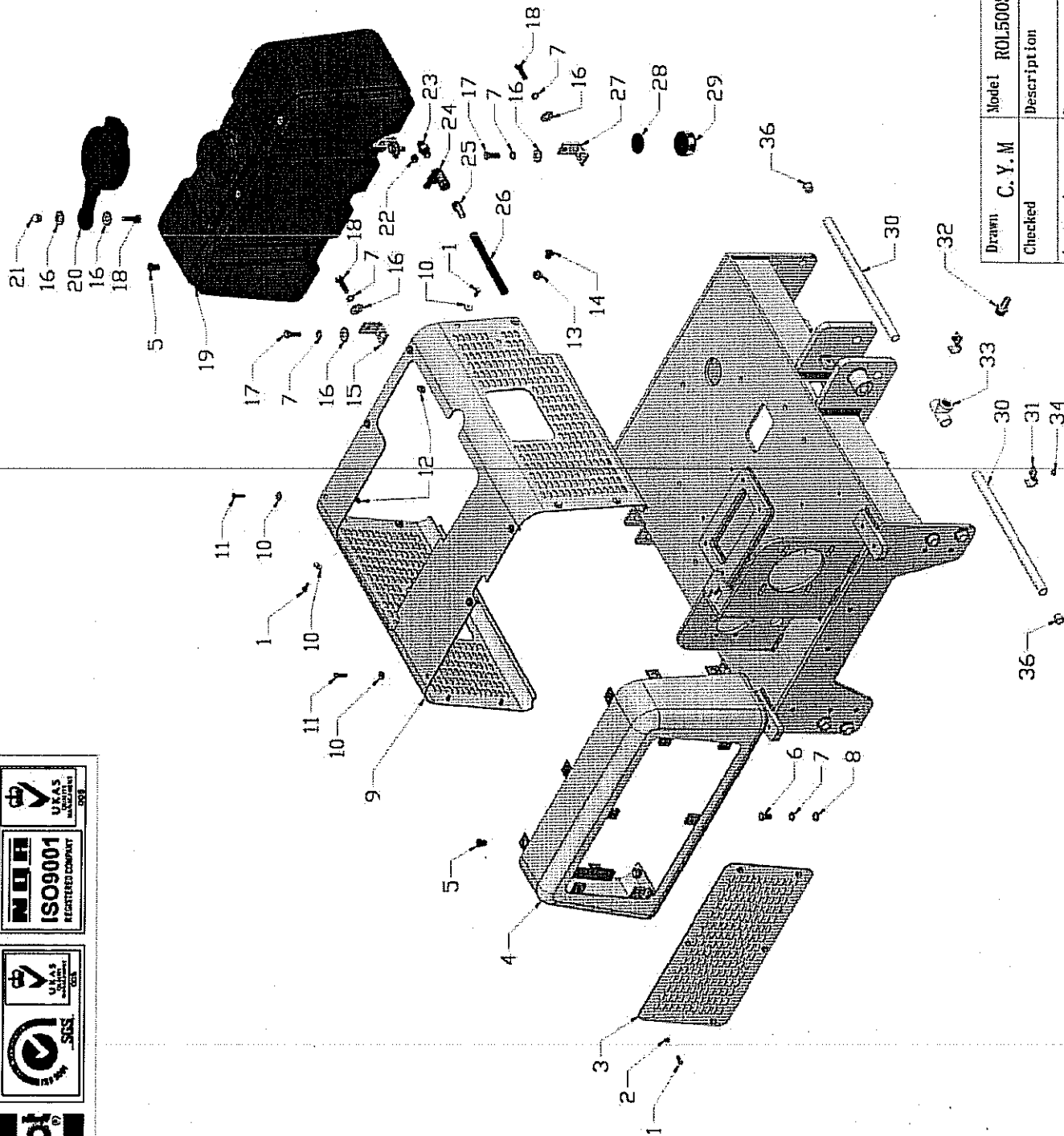
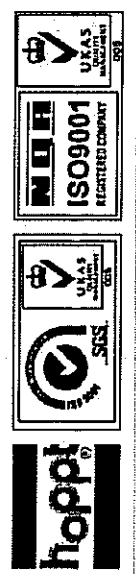
## ROL500S-03 BASE PLATE & ENGINE ASSY

NO. 序号	PART NO. 图号	PART DESCRIPTION 品名	QTY 数量
03-40	ROL500S-650-010600	BRACKET (油门线支架)	1
03-41	ROL500S-030215	START STRING (启动拉线)	1
03-42	ROL500S-FN.B-M10x35-8.8-DIN-1	BOLT (六角螺栓)	4
03-43	ROL500S-FN.W10-DIN-1	WASHER (平垫)	8
03-44	ROL500S-GB97.1-M12	CUPRUM WASHER (铜垫圈)	2
03-45	ROL500S-650-010300	CONNECTOR A (接头A)	1
03-46	ROL500S-d-000026	HOSE BAND (软管卡簧)	2
03-47	ROL500S-650-010500	HOSE (油管)	1
03-48	ROL500S-650-010400	CONNECTOR B (接头B)	1
03-49	ROL500S-HHOS.B-M12x1.5	HEXAGON HEAD PLUG (六角螺塞)	1
03-50	ROL500S-HS.B-M8x20-8.8-GB-1	SCREW (内六角螺钉)	1
03-51	ROL500S-6.5-080000	PIPE HOLDER (水管抱箍)	1
03-52	ROL500S-030212	RETICULATION COVER (网罩)	1
03-53	ROL500S-FN.B-M6x16-8.8-DIN-1	BOLT (六角螺栓)	4
03-54	ROL500S-HSPG.W6-DIN-1	SPRING WASHER,TANG ENDS(重型弹垫)	5
03-55	ROL500S-FN.W6-DIN-1	WASHER (平垫)	4
03-56	ROL500S-FN.B-M8x16-8.8-DIN-1	BOLT (六角螺栓)	2
03-57	ROL500S-WOD.W8-GB-1	WASHER (大垫圈)	2
03-58	ROL500S-030210	RETICULATION COVER BRACKET (网罩支架)	1
03-59	ROL500S-1/4inch-20UNCx30-2	BOLT (六角螺栓)	1
03-60	ROL500S-PAN.S-M4x10	PAN HEAD SCREW (十字盘头槽螺钉)	2
03-61	ROL500S-SPG.W4-DIN-1	SPRING WASHER (弹垫)	2
03-62	ROL500S-050502	WASHER (扇叶缩紧垫片)	1
03-63	ROL500S-030211	FAN LAMINA (散热风扇叶片)	1
03-64	ROL500S-Wkey-1 / 8x1 / 2	Wkey (#3 半圆键)	4
03-65	ROL500S-030206	DRIVEN TIMING BELT PULLEY (从动同步带轮)	1
03-66	ROL500S-FN.N-M10-DIN-1	NUT (螺母)	4
03-67	ROL500S-030600	CONTROL SHAFT ROD (控制轴拉杆)	1
03-68	ROL500S-030603	PIN (销)	1
03-69	ROL500S-3/8inch-16UNC	NUT (螺母)	1
03-70	ROL500S-W17-600-006	HYDROSTATIC TRANSMISSIONS (静液传动器)	1
03-71	ROL500S-030307	DUMP VALVE PRESS PLATE (放泄阀板)	1
03-72	ROL500S-FN.N-M8-DIN-1	NUT (螺母)	1
03-73	ROL500S-030306	DUMP VALVE HANDLE (放泄阀手柄)	1
03-74	ROL500S-FN.B-M8x30-8.8-DIN-1	BOLT (六角螺栓)	1
03-75	ROL500S-FN.B-M8x25-8.8-DIN-1	BOLT (六角螺栓)	1



## ROL500S-03 BASE PLATE & ENGINE ASSY

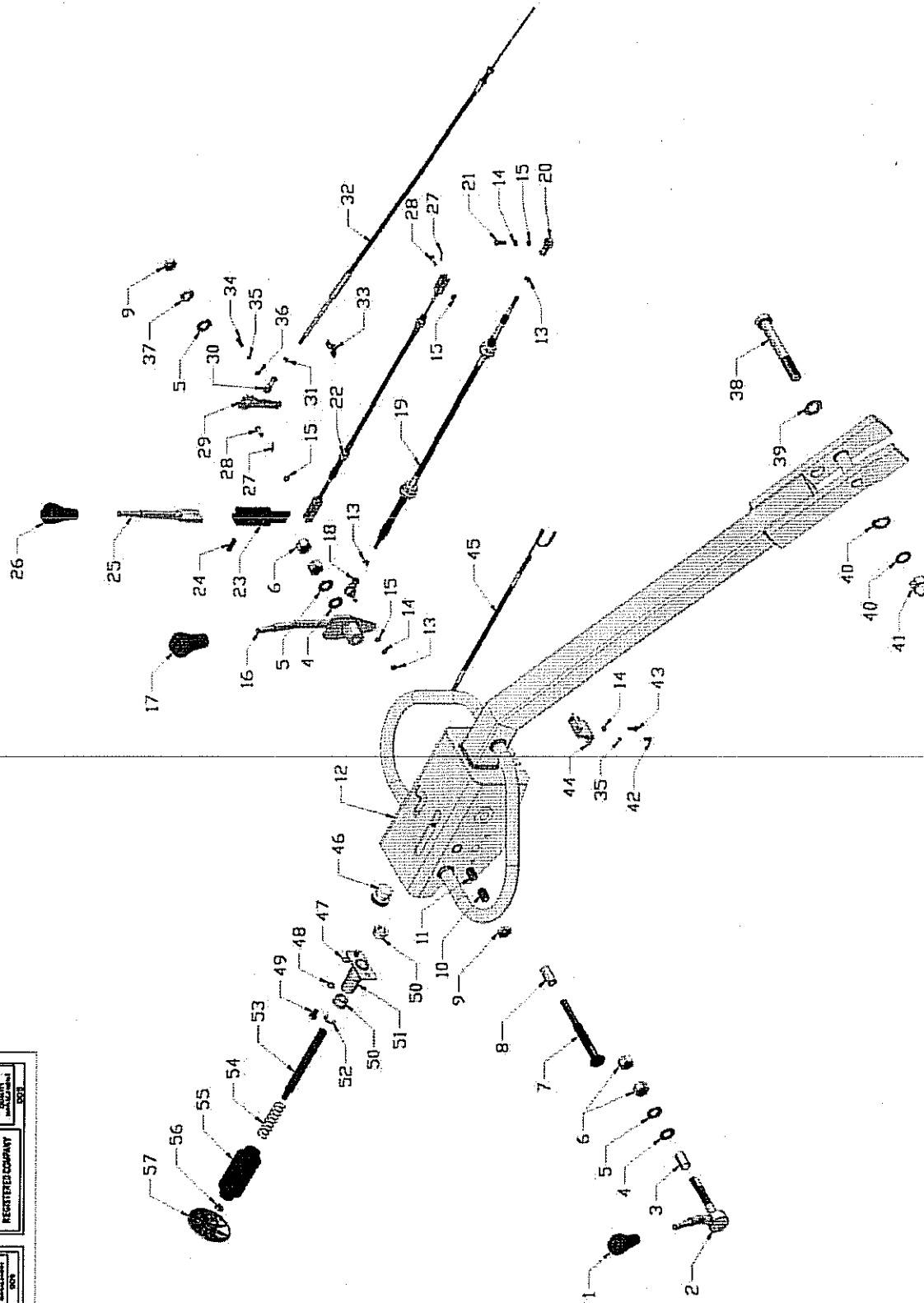
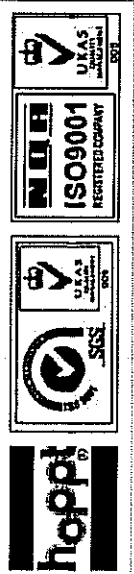
NO. 序号	PART NO. 图号	PART DESCRIPTION 品名	QTY 数量
03-76	ROL500S-030305	DUMP VALVE CONTROL PLATE SUPPORT (放泄阀控制杆支座)	1
03-77	ROL500S-IN.N-M8-DIN-1	LOCK NUT (防松螺母)	2
03-78	ROL500S-FN.B-M10x80-8.8HALF-DIN-1	BOLT (六角螺栓)	4
03-79	ROL500S-030201	HYDROSTATIC TRANSMISSIONS PULLEY (静液传动器带轮)	1
03-80	ROL500S-W02-A52	V-BELT (V型皮带)	1
03-81	ROL500S-CS.RG17	EXTERNAL CIRCLIP (轴用挡圈)	1
03-82	ROL500S-010100	MAIN FRAME (机架)	1



Drawn	C. Y. M	Model	ROL500S	Drawing No.	ROL500S-04
Checked		Description	WATER TANK & COVER ASSY (水箱装配)		
Approved		Date	2010.06.01		

## ROL500S-04 WATER TANK & COVER ASSY

NO. 序号	PART NO. 图号	PART DESCRIPTION 品名	QTY 数量
04-1	ROL500S-FN.B-M6x16-8.8-DIN-1	BOLT (六角螺栓)	14
04-2	ROL500S-HSPG.W6-DIN-1	SPRING WASHER (弹垫)	6
04-3	ROL500S-010210	COVWE (盖班)	1
04-4	ROL500S-010500	COVER (罩壳)	1
04-5	ROL500S-5-31-2253006021	RUBBER NUT (橡胶螺母)	6
04-6	ROL500S-FN.B-M10x20-8.8-DIN-1	BOLT (六角螺栓)	4
04-7	ROL500S-HSPG.W10-DIN-1	SPRING WASHER,TANG ENDS(重型弹垫)	10
04-8	ROL500S-FN.W10-DIN-1	WASHER (平垫)	4
04-9	ROL500S-050700	COVER (罩盖)	1
04-10	ROL500S-WOD.W6-GB-1	WASHER (大垫圈)	14
04-11	ROL500S-FN.B-M6x25-8.8-DIN-1	BOLT (六角螺栓)	6
04-12	ROL500S-650-090110	RUBBER WASHER (橡胶垫圈)	4
04-13	ROL500S-IN.N-M12-DIN-1	LOCK NUT (防松螺母)	1
04-14	ROL500S-050703	BUSH (启动拉线套)	1
04-15	ROL500S-650-070300	BRACKET (水箱支架)	2
04-16	ROL500S-WOD.W10-GB-1	WASHER (大垫圈)	8
04-17	ROL500S-FN.B-M10x30-8.8-DIN-1	BOLT (六角螺栓)	3
04-18	ROL500S-FN.B-M10x35-8.8-DIN-1	BOLT (六角螺栓)	4
04-19	ROL500S-070100	WATER TANK (水箱)	1
04-20	ROL500S-650-070200	WATER TANK CAP (水箱盖)	1
04-21	ROL500S-HC.N-M10-DIN-1	CAP NUT (盖形螺母)	1
04-22	ROL500S-HSHOS.B-ZG3/8	HEXAGONAL SOCKET HEAD PLUG (内六角螺塞)	1
04-23	ROL500S-650-070400	CONNECTOR (接头)	1
04-24	ROL500S-6.5-070001	CULVERT VALVE (球阀)	1
04-25	ROL500S-BT-3 / 8-13	HOSE NIPPLE (铜管接头)	1
04-26	ROL500S-6.5-070004	HYDRAULIC HOSE (胶管)	1
04-27	ROL500S-550-070300	BRACKET (水箱支架)	1
04-28	ROL500S-650-070500	RUBBER CUSHION (橡胶垫)	1
04-29	ROL500S-70B-010112	FUEL TANK CAP (油箱盖)	1
04-30	ROL500S-010720	HOSE (水管)	2
04-31	ROL500S-010207	HOSE CLAMP (水管固定夹)	2
04-32	ROL500S-90BII-000001	HOSE NIPPLE (铜管接头)	1
04-33	ROL500S-90BII-000005	TEE COUPLING (三通 1/2x20.5)	1
04-34	ROL500S-HSPG.W8-DIN-1	SPRING WASHER,TANG ENDS(重型弹垫)	2
04-35	ROL500S-FN.B-M8x16-8.8-DIN-1	BOLT (六角螺栓)	2
04-36	ROL500S-90BII-060300	STOPPER (堵头)	2



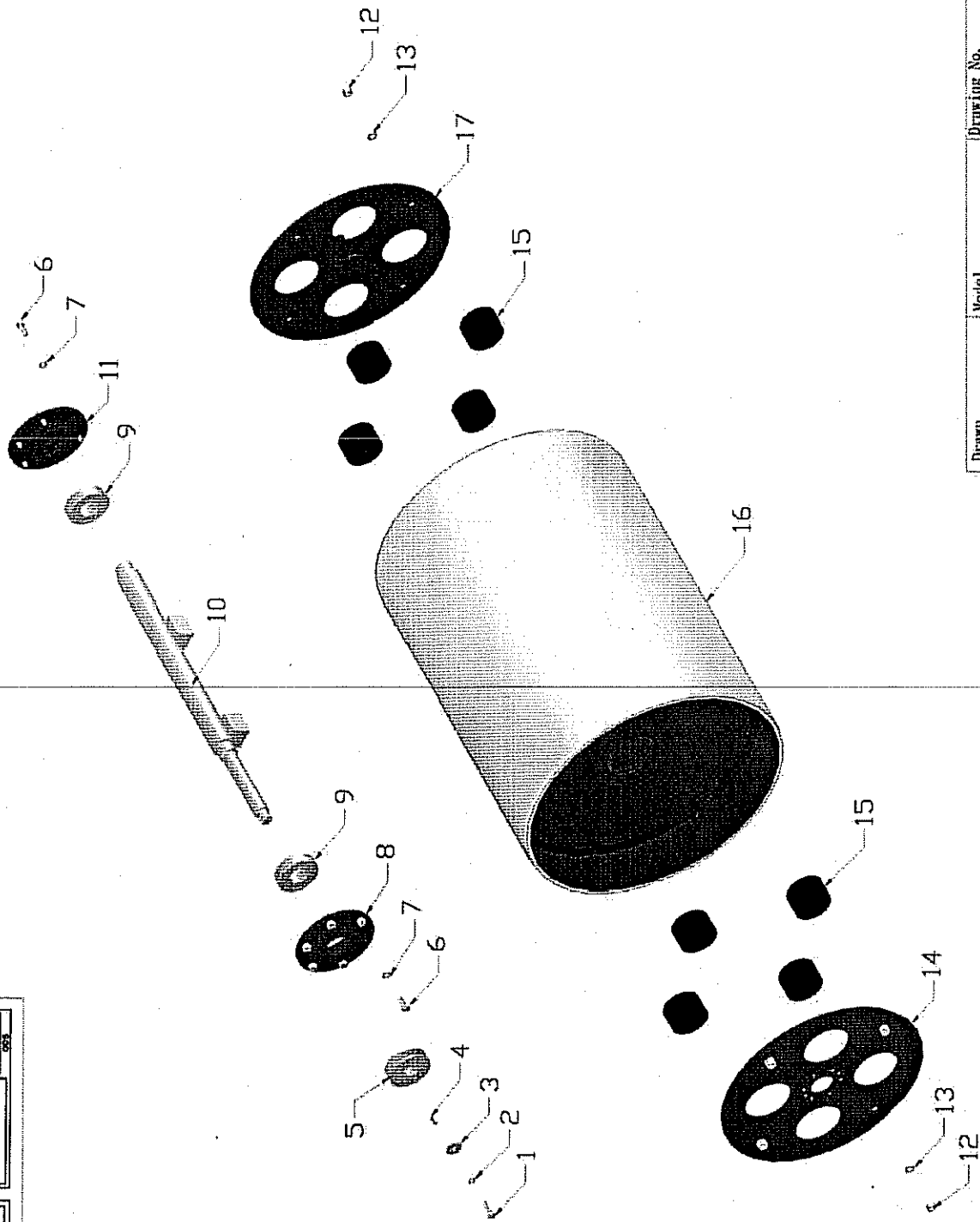
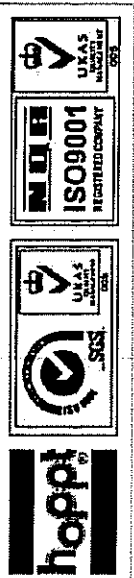
Drawn	C. Y. M	Model	ROL500S	Drawing No.	ROL500S-05
Checked	L. C	Description	OPERATION HANDLE ASSY (扶手装配)		
Approved	C. J	Date	2010.06.01		

## ROL500S-05 OPERATION HANDLE ASSY

NO. 序号	PART NO. 图号	PART DESCRIPTION 品名	QTY 数量
05-1	ROL500S-650-023000	THROTTLE GRIP (油门把手套)	1
05-2	ROL500S-650-021000	THROTTLE GRIP (油门手柄)	1
05-3	ROL500S-650-022400	BEARING BUSH (轴承套)	1
05-4	ROL500S-WSPG.W16-DIN-3	WAVE SPRING WASHER (波型弹垫)	2
05-5	ROL500S-FN.W16-DIN-2	WASHER (平垫)	3
05-6	ROL500S-FN.N-M16-DIN-2	NUT (螺母)	4
05-7	ROL500S-6.5-022100	PIN (销轴)	1
05-8	ROL500S-6.5-022400	BUSH (套)	1
05-9	ROL500S-FNL.N-M16-DIN-2	HEXAGON THIN NUT (六角薄螺母)	2
05-10	ROL500S-FHSS.S-M16x25-GB-2	SOCKET SCREW WITH FLAT HEAD (内六角平端紧定螺钉)	1
05-11	ROL500S-6.5-022700	PLUNGER (柱塞组件)	1
05-12	ROL500S-020100	OPERATION HANDLE (扶手)	1
05-13	ROL500S-FN.N-M6-DIN-2	NUT (螺母)	3
05-14	ROL500S-HSPG.W6-DIN-2	SPRING WASHER,TANG ENDS(重型弹垫)	4
05-15	ROL500S-FN.W6-DIN-2	WASHER (平垫)	6
05-16	ROL500S-650-021900	DRIVE LEVER (驱动手柄)	1
05-17	ROL500S-650-023100	DRIVE GRIP (驱动手柄套)	1
05-18	ROL500S-6.5-020003	UNIVERSAL JOINT (万向接头)	1
05-19	ROL500S-022600	DRIVE CABLE ASSY (驱动控制线)	1
05-20	ROL500S-6.5-020002	UNIVERSAL JOINT (万向接头)	1
05-21	ROL500S-FN.B-M6x20-8.8-DIN-2	BOLT (六角螺栓)	1
05-22	ROL500S-022500	VIBRATION CABLE ASSY (振动控制线)	1
05-23	ROL500S-650-021700	U CONNECTOR (U型板)	1
05-24	ROL500S-SC.PIN-8x28	SPRING PIN (弹性圆柱销)	1
05-25	ROL500S-650-021800	VIBRATION LEVER (振动手柄)	1
05-26	ROL500S-650-023200	VIBRATOR GRIP (振动手柄套)	1
05-27	ROL500S-SP.PIN-1.6x20	SPLIT PIN (开口销)	2
05-28	ROL500S-HWH.PIN-6x20	PIN (带孔圆柱销)	2
05-29	ROL500S-650-021100	LEVER (油门传动杆)	1
05-30	ROL500S-6.5-020001	UNIVERSAL JOINT (万向接头)	1
05-31	ROL500S-FN.N-M5-DIN-2	NUT (螺母)	1
05-32	ROL500S-010800	THROTTLE CABLE ASSY (油门拉线总成)	1
05-33	ROL500S-6.5-010400	CABLE CLIP (压板)	1
05-34	ROL500S-FN.B-M5x16-8.8-DIN-1	BOLT (六角螺栓)	3
05-35	ROL500S-SPG.W5-DIN-2	SPRING WASHER (弹垫)	3
05-36	ROL500S-FN.W5-DIN-2	WASHER (平垫)	1
05-37	ROL500S-HSPG.W16-DIN-2	SPRING WASHER,TANG ENDS(重型弹垫)	1

**ROL500S-05 OPERATION HANDLE ASSY**

NO. 序号	PART NO. 图号	PART DESCRIPTION 品名	QTY 数量
05-38	ROL500S-FN.B-M20x150-8.8-DIN-2	BOLT (六角螺栓)	1
05-39	ROL500S-FN.W20-DIN-2	WASHER (平垫)	1
05-40	ROL500S-NL-20	SERRATED WASHER (止锁垫圈)	2
05-41	ROL500S-HC.N-M20-DIN-2	CAP NUT (盖形螺母)	1
05-42	ROL500S-FN.B-M6x12-8.8-DIN-2	BOLT (六角螺栓)	2
05-43	ROL500S-FN.B-M6x16-8.8-DIN-2	BOLT (六角螺栓)	2
05-44	ROL500S-650-020900	THROTTLE CABLE PLATE (油门线固定板)	1
05-45	ROL500S-022700	WIRE (急停开关电线)	1
05-46	ROL500S-20A-020210	SAFETY SWITCH (急停开关)	1
05-47	ROL500S-FN.W8-DIN-2	WASHER (平垫)	2
05-48	ROL500S-HSPG.W8-DIN-2	SPRING WASHER,TANG ENDS(重型弹垫)	2
05-49	ROL500S-FN.B-M8x16-8.8-DIN-2	BOLT (六角螺栓)	2
05-50	ROL500S-6.5-021400	NYLON BUSH (尼龙套)	2
05-51	ROL500S-650-021500	LEADER BASE (导杆座)	1
05-52	ROL500S-ET.RG12	LOCK WASHER FOR SHAFTS (开口挡圈)	1
05-53	ROL500S-6.5-021600	ROD (导杆)	1
05-54	ROL500S-6.5-021300	SPRING (弹簧)	1
05-55	ROL500S-650-022900	SWITCH BUSH (急停开关护套)	1
05-56	ROL500S-FNL.N-M10-DIN-2	HEXAGON THIN NUT (六角薄螺母)	1
05-57	ROL500S-650-021200	EMERGENCY KNOB (安全把手)	1

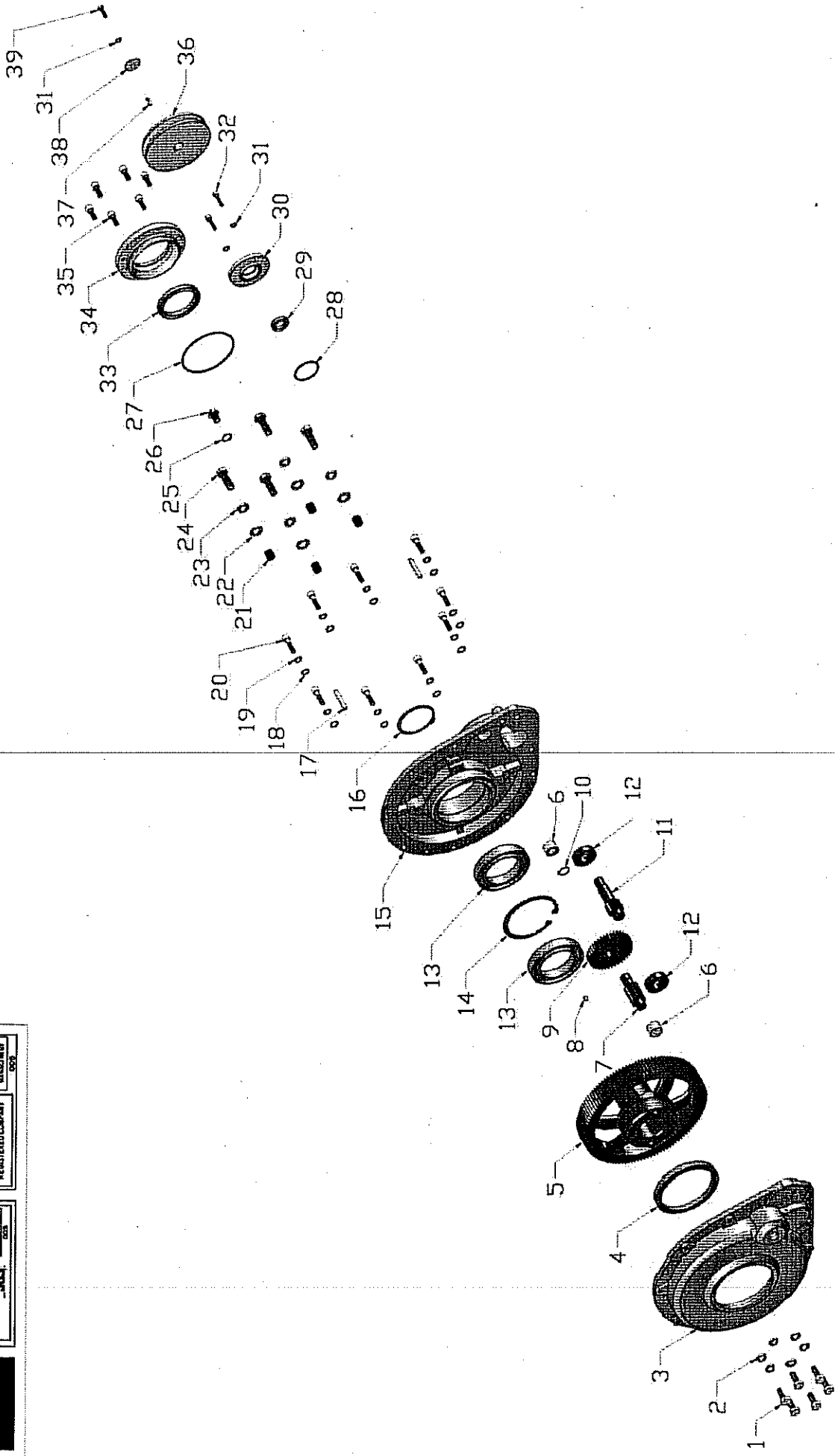
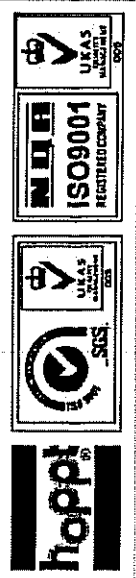


Drawn	C. Y. M	Model	ROL500S	Drawing No.	ROL500S-06
Checked		Description	DRUM ASSY (钢轮装配)		
Approved		Date	2008.12.19		

## ROL500S-06 DRUM ASSY

NO. 序号	PART NO. 图号	PART DESCRIPTION 品名	QTY 数量
06-1	ROL500S-FN.B-M8x35-8.8-DIN-1	BOLT (六角螺栓)	1
06-2	ROL500S-HSPG.W8-DIN-1	SPRING WASHER,TANG ENDS(重型弹垫)	1
06-3	ROL500S-050501	WASHER (垫片)	1
06-4	ROL500S-Key.C-8x7x20	KEY (键)	1
06-5	ROL500S-030203	VIBRATOR SHAFT PULLEY (振动轴带轮)	1
06-6	ROL500S-FN.B-M10x25-8.8-DIN-1	BOLT (六角螺栓)	12
06-7	ROL500S-HSPG.W10-DIN-1	SPRING WASHER,TANG ENDS(重型弹垫)	12
06-8	ROL500S-050103	LEFT BEARING SEAT (左轴承座)	1
06-9	ROL500S-W01-6308ZZC3E-J	BEARING (轴承)	2
06-10	ROL500S-050100	VIBRATOR SHAFT (振动轴)	1
06-11	ROL500S-050104	RIGHT BEARING SEAT (右轴承座)	1
06-12	ROL500S-FN.N-M12	NUT (螺母)	8
06-13	ROL500S-HSPG.W12-DIN-1	SPRING WASHER,TANG ENDS(重型弹垫)	8
06-14	ROL500S-050300	GEAR DISK (大齿轮圆盘)	1
06-15	ROL500S-030800	RUBBER CUSHION (缓冲块)	8
06-16	ROL500S-050400	DRUM (钢轮)	1
06-17	ROL500S-050200	DISK (圆盘)	1

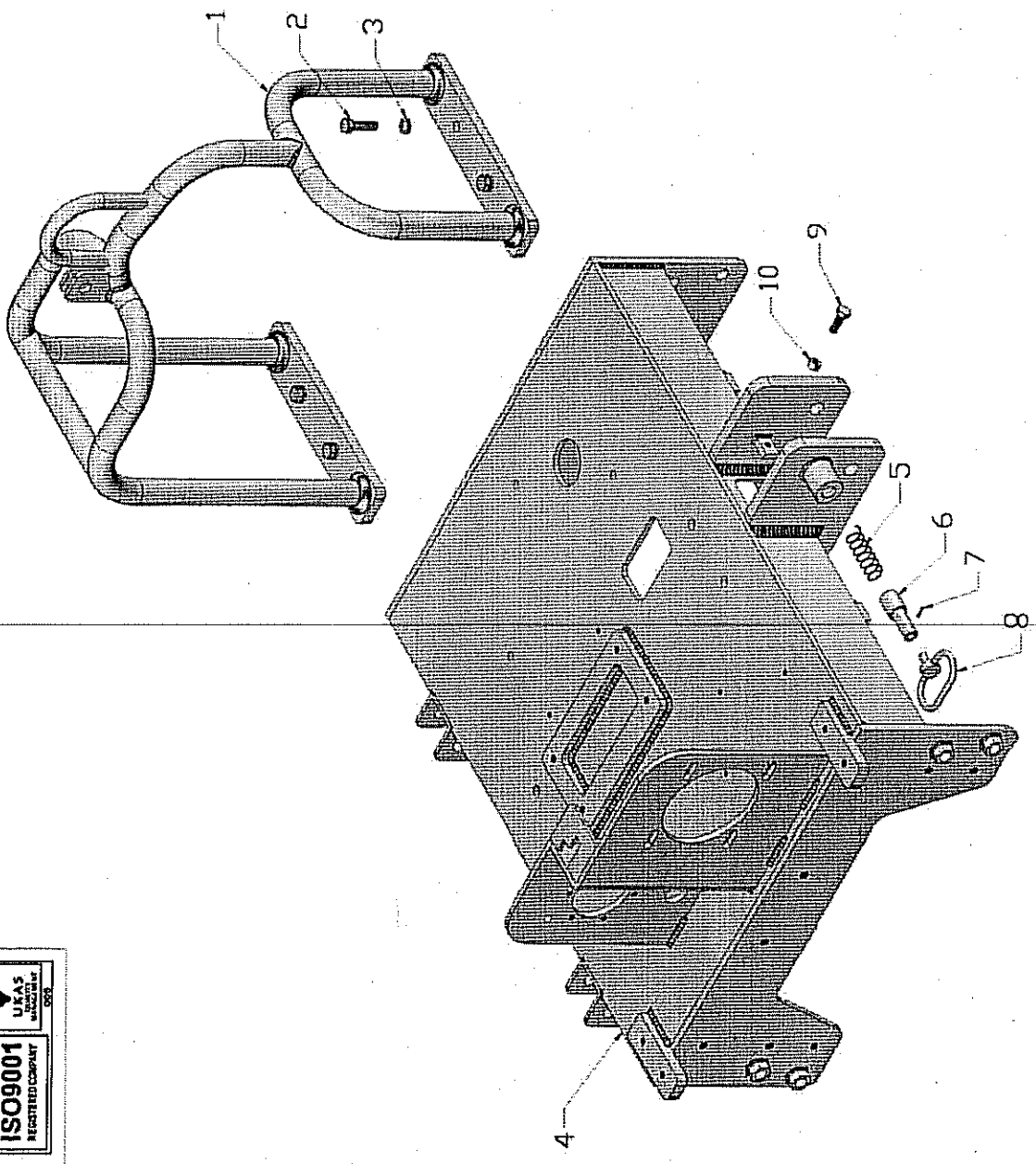




Drawn	L. C	Model	ROL500S	Drawing No.	ROL500S-07
Checked		Description	GEARBOX ASSY (齿轮箱装配)		
Approved		Date	2008. 12. 26		

## ROL500S-07 GEARBOX ASSY

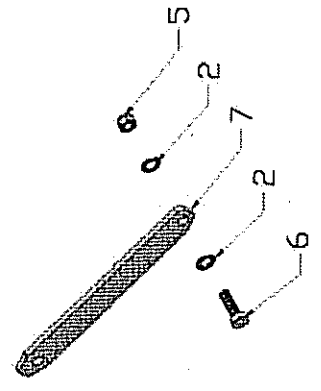
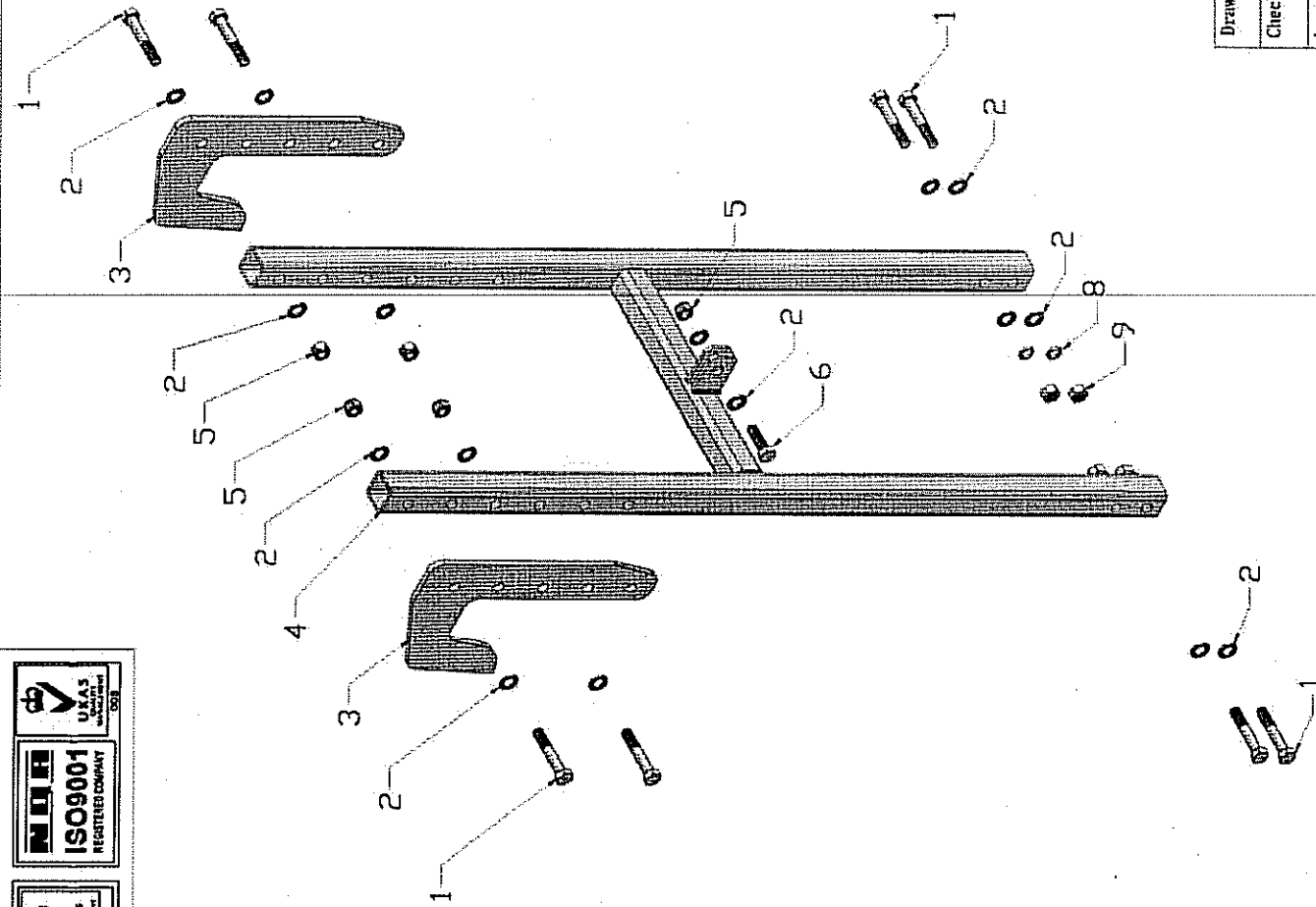
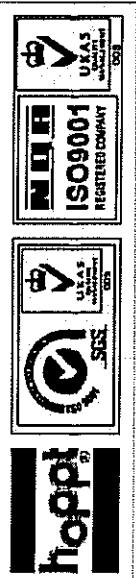
NO. 序号	PART NO. 图号	PART DESCRIPTION 品名	QTY 数量
07-1	ROL500S-FN.B-M10x25-8.8	BOLT (六角螺栓)	6
07-2	ROL500S-HSPG.W10-DIN-1	SPRING WASHER,TANG ENDS(重型弹垫)	6
07-3	ROL500S-040100	GEAR CASE BASE (齿轮箱座)	1
07-4	ROL500S-W03-120x100x12	OIL SEAL(油封)	1
07-5	ROL500S-040800	GEAR (大齿轮)	1
07-6	ROL500S-W01-BK1816-J	NEEDLE BEARING (滚针轴承)	2
07-7	ROL500S-040700	GEAR (齿轮)	1
07-8	ROL500S-Key.A-6x6x10	KEY (平键)	1
07-9	ROL500S-040600	SMALL GEAR (小齿轮)	1
07-10	ROL500S-CS.RG18	EXTERNAL CIRCLIP (轴用挡圈)	1
07-11	ROL500S-040500	GEAR, INPUT (输入轴齿轮)	1
07-12	ROL500S-W01-6004-J	BEARING (轴承)	2
07-13	ROL500S-W01-6013-J	BEARING (轴承)	2
07-14	ROL500S-CH.RG100	INTERNAL RETAINING RING(孔用挡圈)	1
07-15	ROL500S-040200	GEAR CASE COVER (齿轮箱盖)	1
07-16	ROL500S-CS.RG65	EXTERNAL CIRCLIP (轴用挡圈)	1
07-17	ROL500S-ST.PIN-8x45	PIN-DOWEL (圆柱销)	2
07-18	ROL500S-FN.W8-DIN-1	WASHER (平垫)	9
07-19	ROL500S-HSPG.W8-DIN-1	SPRING WASHER,TANG ENDS(重型弹垫)	9
07-20	ROL500S-HS.B-M8x30-8.8-GB-1	SCREW (内六角螺钉)	9
07-21	ROL500S-040900	SCREW BUSH(钢丝螺纹套)	4
07-22	ROL500S-FN.W12-DIN-1	WASHER (平垫)	4
07-23	ROL500S-HSPG.W12-DIN-1	SPRING WASHER,TANG ENDS(重型弹垫)	4
07-24	ROL500S-FN.B-M12x35-8.8-DIN-1	BOLT (六角螺栓)	4
07-25	ROL500S-GB97.1-M12	CUPRUM WASHER (铜垫圈)	1
07-26	ROL500S-HHOS.B-M12x1.5	HEXAGON HEAD PLUG (六角螺塞)	1
07-27	ROL500S-W04-94.4x3.1	O RING (O型圈)	1
07-28	ROL500S-W04-42x3	O-RING (O型圈)	1
07-29	ROL500S-W03-32x20x7	OIL SEAL (油封)	1
07-30	ROL500S-040400	SMALL COVER (小盖)	1
07-31	ROL500S-HSPG.W6-DIN-1	SPRING WASHER,TANG ENDS(重型弹垫)	3
07-32	ROL500S-HS.B-M6x25-8.8-GB-1	SCREW (内六角螺钉)	2
07-33	ROL500S-W03-80x62x9	OIL SEAL (油封)	1
07-34	ROL500S-040300	TOP COVER (顶盖)	1
07-35	ROL500S-HS.B-M8x20-8.8-GB-1	SCREW (内六角螺钉)	6
07-36	ROL500S-030202	DRIVE PULLEY (驱动带轮)	1
07-37	ROL500S-Key.C-5x5x16	KEY (键)	1
07-38	ROL500S-550-040400H	WASHER(垫圈)	1
07-39	ROL500S-FN.B-M6x20-8.8-DIN-1	BOLT (六角螺栓)	1



Drawn	C. Y. M	Model	ROL500S	Drawing No.	ROL500S-01
Checked		Description	MOTHER BOARD ASSY (底板装配)		
Approved		Date	2010.1.26		

## ROL500S-01 MOTHER BOARD ASSY

NO. 序号	PART NO. 图号	PART DESCRIPTION 品名	QTY 数量
01-1	ROL500S-010600	HOOCS (吊架焊接)	1
01-2	ROL500S-FN.B-M12x40-8.8-DIN-1	BOLT (六角螺栓)	4
01-3	ROL500S-HSPG.W12-DIN-1	SPRING WASHER,TANG ENDS(重型弹垫)	4
01-4	ROL500S-010100	MAIN FRAME (机架)	1
01-5	ROL500S-6.5-020300	SPRING (弹簧)	1
01-6	ROL500S-6.5-020200	PIN (销轴)	1
01-7	ROL500S-SC.PIN-3x16	SPRING PIN (弹性圆柱销)	1
01-8	ROL500S-650-020600	SUSPENSION LINK (拉环)	1
01-9	ROL500S-FN.B-M10x30-8.8-DIN-1	BOLT (六角螺栓)	1
01-10	ROL500S-FN.N-M10-DIN-1	NUT (螺母)	1



Drawn	C. Y. M	Model	ROL500S	Drawing No.	ROL500SH-01
Checked		Description	TRANSPORT HOOKS ASSY (吊架装配)		
Approved		Date	2010.1.26		

## ROL500SH-01 TRANSPORT HOOKS ASSY

NO. 序号	PART NO. 图号	PART DESCRIPTION 品名	QTY 数量
01-1	ROL500S-FN.B-M16x90-8.8HALF-DIN-1	BOLT (螺栓)	8
01-2	ROL500S-FN.W16-DIN-1	WASHER (平垫)	20
01-3	ROL500S-010205	HOOK (挂钩)	2
01-4	ROL500S-010200	挂钩架	1
01-5	ROL500S-IN.N-M16-DIN-1	LOCK NUT (防松螺母)	6
01-6	ROL500S-FN.B-M16x50-8.8-DIN-1	BOLT (螺栓)	2
01-7	ROL500S-010204	CONNECT PLATE (连接板)	1
01-8	ROL500S-HSPG.W16-DIN-1	SPRING WASHER,TANG ENDS(重型弹垫)	4
01-9	ROL500S-FN.N-M16-DIN-1	NUT (螺母)	4