

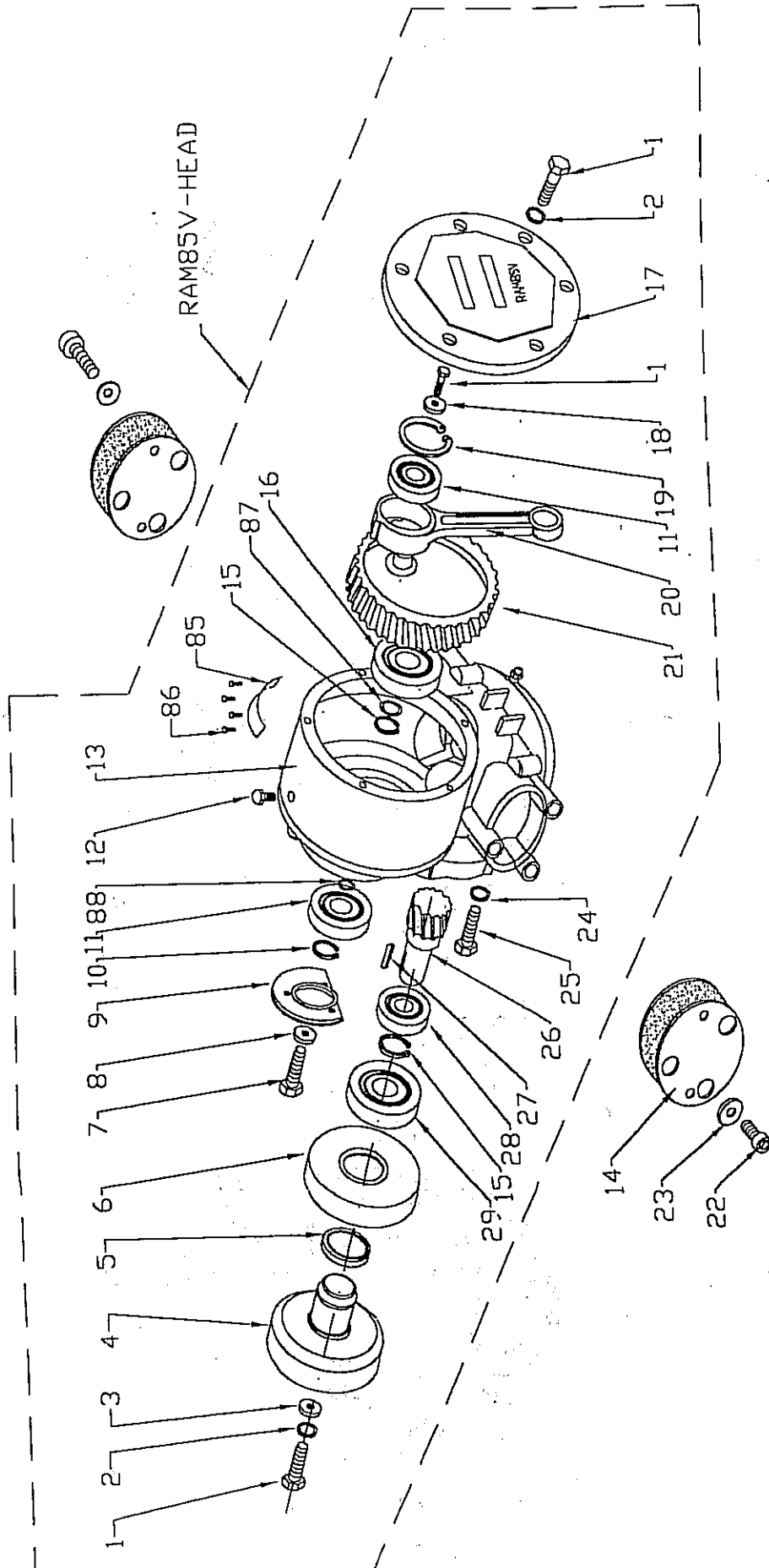
## LISTA DE PARTES

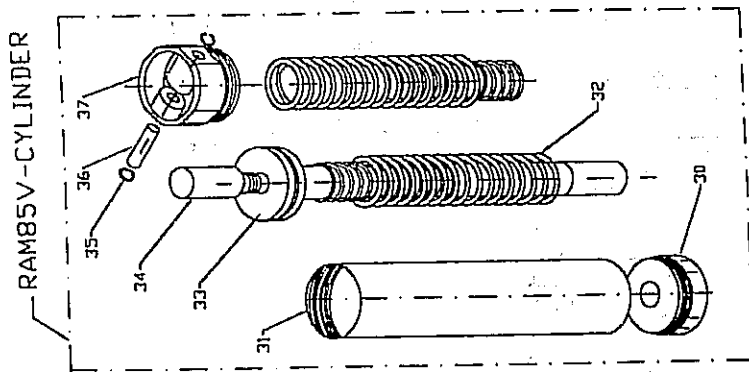
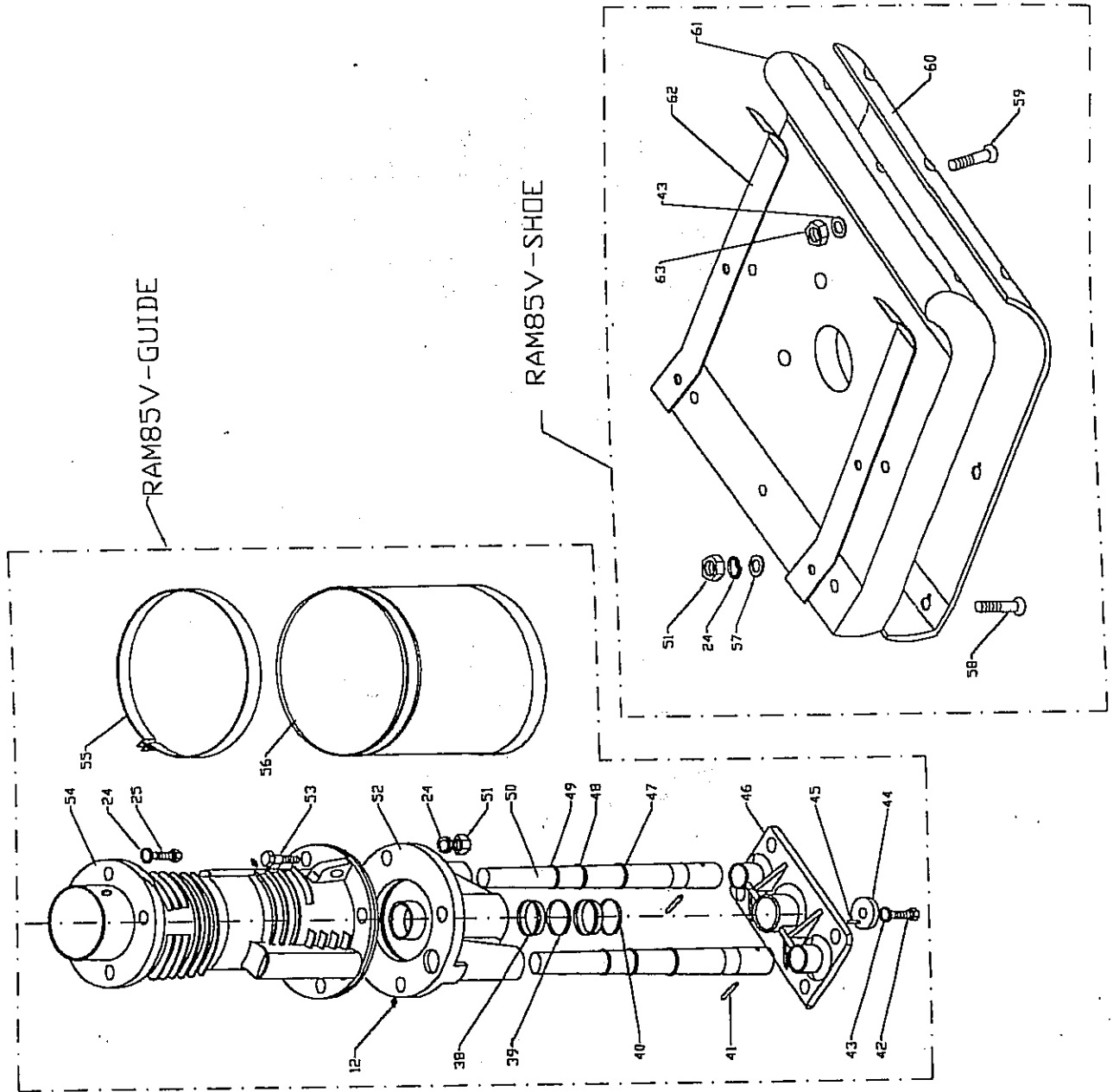
### FOR RAM85V

S/N	PART NO.	PART DESCRIPTION	QTY IN PCS
1	10-71-8*20F-31-5	BOLT (HEX M8*20 FULL THREAD GAL)	8
2	11-51-8-61-5	WASHER - SPRING LOCK WASHER (M8 GAL)	11
3	RAM80-0508	LOCK WASHER	1
4	RAM80-0507	CLUTCH HOUSING	1
5	RAM80-0506	FELT RING	1
6	RAM80-0505	SPACER	1
7	10-40-6*15F-31	SCREW - SOCKET HEAD CAP (M6*15 FULL THREAD)	3
8	11-51-6-61-5	WASHER - SPRING LOCK WASHER (M8 GAL)	3
9	RAM80-0310	BEARING COVER	1
10	14-11-25-30	RETAINER EXTERNAL BASIC (STW-25)	1
11	13-11-6305*2	BEARING - SINGLE ROW DP GROOVE BALL (6305ZZ)	2
12	15-70-1/8-62	GREASE NIPPLE A-PT 1/8 S20C	6
13	RAM80-0304	CRANKCASE	1
14	RAM80-1205	SHOCK ABSORBER	2
15	14-11-35-30	RETAINER EXTERNAL BASIC (STW-35)	2
16	13-11-6307*1	BEARING - SINGLE ROW DP GROOVE BALL (6307Z)	1
17	RAM85V-0303	FRONT COVER	1
18	RAM80-0402	LOCK WASHER (M8)	1
19	14-10-62-30	RETAINER INTERNAL BASIC (RTW-62)	1
20	RAM80-0405	CONNECTING ROD	1
21	RAM80-0408	CRANKSHAFT	1
22	10-40-10*20F-31	SCREW - SOCKET HEAD CAP (M10*20 FULL THREAD)	6
23	11-55-10-61-5	WASHER - TOOTH LOCK WASHER (M10 GAL)	6
24	11-51-10-61-5	WASHER - SPRING LOCK WASHER (M10 GAL)	24
25	10-71-10*35F-31-5	BOLT - HEX BOLT (M10*35) FULL THREAD GAL	8
26	RAM80-0501	PINION	1
27	RAM80-0504	KEY - PARALLEL KEY (5*5*27) ONE END ROUNDED	1
28	13-11-6205*2	BEARING - SINGLE ROW DP GROOVE BALL (6205ZZ)	1
29	13-11-6207*2	BEARING - SINGLE ROW DP GROOVE BALL (6207ZZ)	1
30	RAM80-0808	CYLINDER CAP (BOTTOM)	1
31	RAM80-0804	SPRING CYLINDER	1
32	RAM80-0805/6/7	SPRING A/B/C	2
33	RAM80-0810	RAM ROD	1
34	RAM80-0809	PROTECTOR	1
35	14-10-16-30	RETAINER INTERNAL BASIC (STW-16)	2
36	RAM80-0801	DOWEL PIN (DIA 16*83)	1
37	RAM80-0803	CYLINDER CAP (TOP)	1
38	15-60-34*46*7*10	DUST SEAL (34*46*7*10)	2
39	RAM80-0903	WASHER	1
40	14-10-47-30	RETAINER INTERNAL BASIC (RTW-47)	1
41	12-10-6*32-31	PIN - DOWEL PIN (DIA 6*32)	2
42	10-71-12*35*1.5F-31-5	BOLT - HEX BOLT (M12*35*P1.5) FULL THREAD	1
43	11-51-12-61-5	WASHER - SPRING LOCK WASHER (M12 GAL)	5
44	RAM80-0811	LOCK WASHER (M12)	1
45	12-12-4*12-31	PIN - SPRING PIN (DIA 4*12)	1
46	RAM80-1002	FOOT STAND	1
47	14-10-30-30	RETAINER INTERNAL BASIC (RTW-30)	2
48	15-60-18*30*6*9	DUST SEAL (18*30*6*9)	2
49	RAM80-0905	RUBBER SPACER	2
50	RAM80-1001	GUIDE ROD	2
51	11-11-10-31-8	NUT - HEX NYLON LOCK NUT (M10 BLUE ZINC)	12
52	RAM80-0901	DOUBLE GUIDE CAP	1
53	10-71-10*45F-31-5	BOLT - HEX BOLT (M10*45) FULL THREAD GAL	4
54	RAM85V-0602	GUIDE CYLINDER	1
55	16-93-153/203*12 7	SLEEVE BAND WITH SCREW (DIA 153/203*12 7)	1

56	RAM80-0701	DUST COVER	1
57	11-52-11*33*3.2-31	WASHER - PLAIN CIRCULAR (DIA 11*33*3.2)	2
58	10-45-10*50-31-1	SCREW - COUNTERSUNK FLAT HD KEY NECK (M10*55)	8
59	10-45-12*60-31-1	SCREW - COUNTERSUNK FLAT HD KEY NECK (M10*70)	4
60	RAM80-1107	RAMMER SHOE BASE PLATE	1
61	RAM80-1105	RAMMER SHOE ABSORBER	1
62	RAM80-1106	RAMMER SHOE CLAMP PLATE	2
63	11-11-12-31-8	NUT - HEX NYLON LOCK NUT (M12 BLUE ZINC)	4
64	RAM80-1201C	OPERATION HANDLE	1
65	10-71-10*20F-31-5	BOLT - HEX BOLT (M10*20) FULL THREAD GAL	4
66	10-71-8*15F-31-5	BOLT - HEX BOLT (M8*15) FULL THREAD GAL	4
68	11-52-8-31-5	WASHER - FLAT WASHER (M8 GAL)	4
69	RAM80-1305	FUEL TANK CAP	1
70	RAM80-1309	FUEL FILTER (064-13100-10)	1
71	RAM85V-1301	FUEL TANK (PLASTIC)	1
72	RAM80-0203	LOCK NUT	1
73	13-81-C812A	CENTRIFUGAL CLUTCH (DIA 80*18) HOLE (DIA15)	1
74	RAM80-0202	WOODDRUFF KEY	1
75	17-10-EH12D	ROBIN ENGINE EH12-2D	1
76	RAM80-1311	FUEL COCK	1
77	RAM80-1313	HOSE BAND	2
78	RAM80-1312	FUEL HOSE	1
79	16-80-25-34-15	THROTTLE LEVER (DIA 25) NICKEL PLATED	1
80	16-81-S-04-000E-L553*673	THROTTLE CABLE S-04-000E (L553*673)	1
81	11-55-12	WASHER - TOOTHED LOCK EXTERNAL (M12)	1
82	RAM80-LAB-04	SIGN - EAR PROTECTION	1
83	RAM80-LAB-03	SIGN - CAUTION (SILVER)	1
84	RAM80-LAB-01	SIGN - CAUTION (YELLOW)	1
85	RAM80-0409	NAME PLATE	1
86	10-89-U2.89*6.3	HAMMER DRIVE SCREW TYPE U 2.89*6.3 STEEL	4
87	RAM80-0509	WASHER	1
88	RAM80-0999	WASHER	1
89	RAM80-0998	LOCK WASHER	1

# RAM85V





RAM85V-HANDLE

