

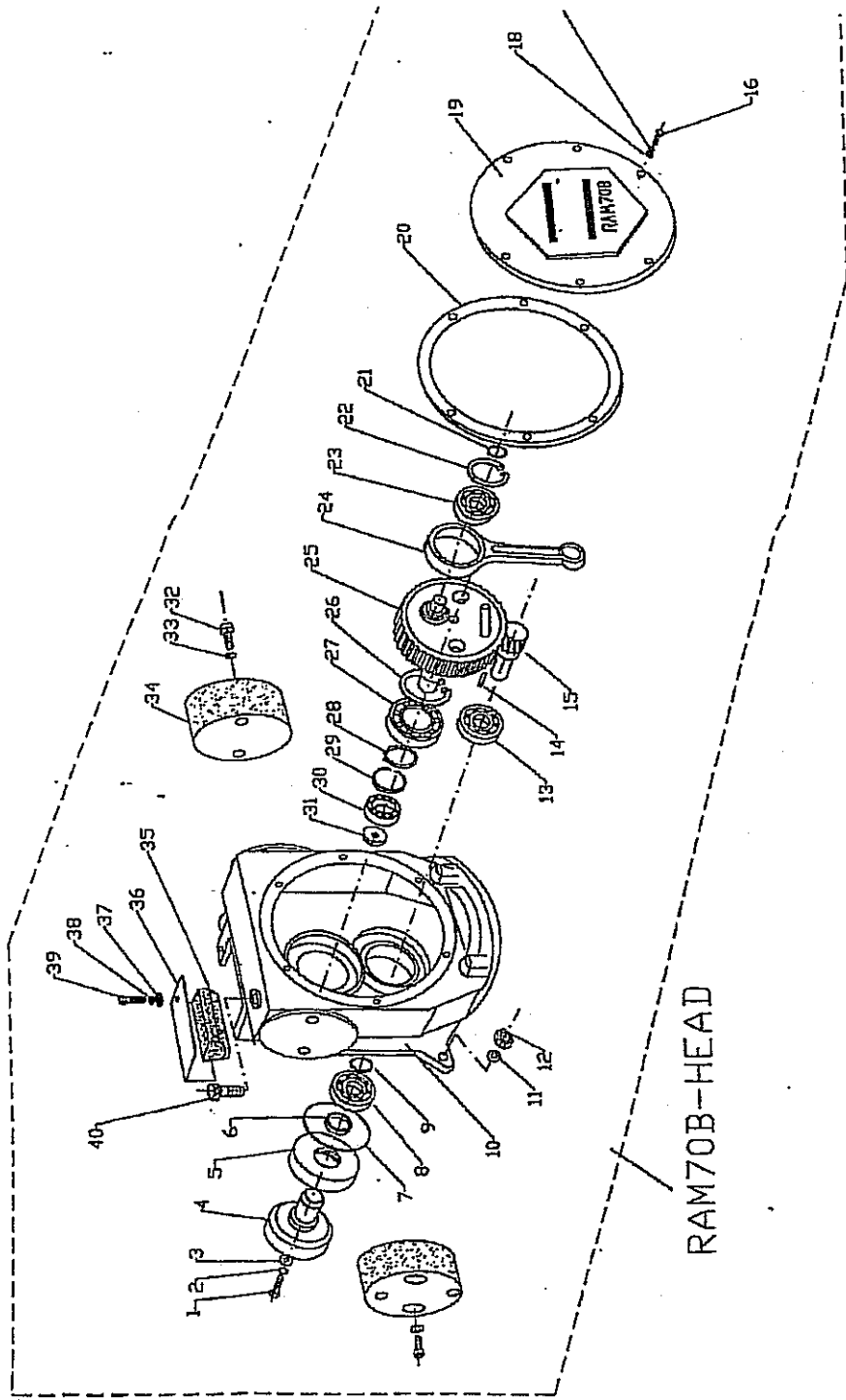
LISTA DE PARTES

FOR RAM70B

S/N	PART NO.	PART DESCRIPTION	QTY IN PCS
1	GB5783-86	BOLT (M8*25)	1
2	GB93-87	WASHER (M8)	1
3	RAM70B-020129	WASHER (M8)	1
4	RAM70B-020119	CLUTCH HOUSING	1
5	RAM70B-020122	DUST COVER	1
6	RAM70B-020001	OIL SEAL (40*52*8)	1
7	RAM70B-020002	O-RING (3.5*96)	1
8	N/A	BEARING (6207)	1
9	GB894.1-86	RETAINER EXTERNAL BASIC (STW-35)	1
10	RAM70B-020116	GEARCASE	1
11	GB95-87	WASHER (M10)	4
12	GB889-86	LOCK NUT (M10)	4
13	N/A	BEARING (6304)	1
14	GB1096-79	KEY (5*22)	1
15	RAM70B-020124	PINION	1
16	GB70-85	SCREW (M8*20)	6
17	GB93-87	SPRING WASHER (M8)	6
18	GB97.1*85	WASHER (M8)	6
19	RAM70B-020103	GEARCASE COVER	1
20	RAM70B-020114	PAPER WASHER	1
21	GB894.1-86	RETAINER EXTERNAL BASIC (STW-20)	1
22	GB893.1-86	RETAINER INTERNAL BASIC (RTW-20)	1
23	N/A	BEARING (6204)	1
24	RAM70B-020102	CONNECTING ROD	1
25	RAM70B-020115	CRANKSHAFT	1
26	GB893.1-86	RETAINER INTERNAL BASIC (RTW-72)	1
27	N/A	BEARING (6207)	1
28	GB894.1-86	RETAINER EXTERNAL BASIC (STW-35)	1
29	RAM70B-020112	RETAINER INTERNAL BASIC	1
30	N/A	BEARING (NK 128/20)	1
31	RAM70B-020101	WASHER	1
32	GB70-85	SCREW (M10*35)	4
33	GB93-87	SPRING WASHER (M10)	4
34	RAM70B-020125	SHOCK ABSORBER	2
35	RAM70B-020133	SPONGE	1
36	RAM70B-020145	FILTRATE COVER	1
37	GB5783-86	BOLT (M6*10)	1
38	GB93-87	SPRING WASHER (M6)	1
39	GB97.1-85	WASHER (M6)	1
40	RAM70B-020106	SERATE SCREW	1
41	RAM70B-020228	PISTON SHAFT	1
42	RAM70B-020215	PIN	1
43	GB894.1-86	RETAINER EXTERNAL BASIC (STW-16)	2
44	RAM70B-020205	PAPER WASHER	1
45	RAM70B-020206	GUIDE CYLINDER	1
46	GB93-87	SPRING WASHER (M12)	4
47	GB97.1-85	WASHER (M12)	4
48	GB70-85	SCREW (M12*45)	4
49	RAM70B-020003	HOOP	2
50	RAM70B-020216	BELLOW	1
51	RAM70B-020219	SHAFT COVER	1
52	RAM70B-020202	SPRING	2
53	RAM70B-020201	SPRING	2
54	RAM70B-020210	PISTON	1
55	RAM70B-020211	PISTON RING	2

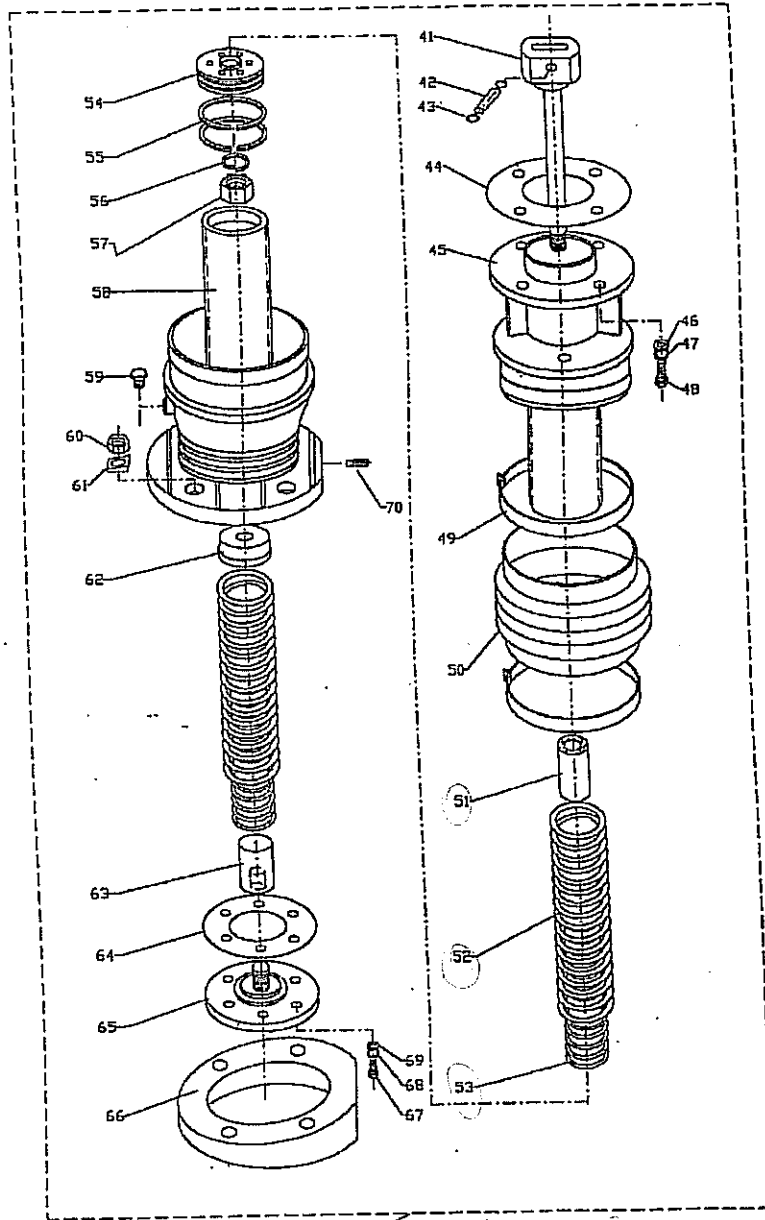
56	GB93-87	SPRING WASHER (M22)	1
57	GB6170-86	NUT (M22*1.5)	1
58	RAM70B-020222	BELLOW CYLINDER	1
59	JB1000-77	SCREW (M16*1.5)	1
60	GB889-86	LOCK NUT (M12)	4
61	RAM70B-030103	WASHER	4
62	RAM70B-020217	BUSHING	1
63	RAM70B-020223	CYLINDER	1
64	RAM70B-020224	PAPER WASHER	1
65	RAM70B-020225	FLANGE	1
66	RAM70B-030102	BASE	1
67	GB93-87	SPRING WASHER (M8)	6
68	GB97.1-85	WASHER (M8)	6
69	GB5783-86	BOLT (M8*25)	6
70	RAM70B-020218	SCREW G1/8	1
71	RAM70B-010110	FILTRATE NETTING	1
72	RAM70B-010112	COVER	1
73	GB5783-86	BOLT (M10*20)	2
74	GB97.1-85	WASHER (M10)	2
75	GB93-87	SPRING WASHER (M10)	2
76	RAM70B-010109	FUEL TANK	1
77	RAM70B-010111	OPERATION HANDLE	1
78	GB93-87	SPRING WASHER (M10)	2
79	GB5783-86	BOLT (M10*20)	2
80	RAM70B-000001	SIGN-EAR PROTECTION	1
81	RAM70B-000002	SIGN-CAUTION	1
82	RAM70B-000003	SIGN-CAUTION	1
83	GB889-86	LOCK NUT (M10)	8
84	GB97.1-85	WASHER (M10)	8
85	GB93-87	SPRING WASHER (M10)	8
86	GB11-88	SCREW (M10*50)	8
87	RAM70B-030105	RAMMER SHOE BASE PLATE	1
88	GB11-88	SCREW (M12*90)	2
89	RAM70B-030104	RAMMER SHOE ABSORBER	1
90	GB11-88	SCREW (M12*115)	2
91	RAM70B-030101	RAMMER SHOE CLAMP PLATE	2
92	N/A	ROBIN ENGINE EH12-2D	1
93	13-81-C812A	CENTRIFUGAL CLUTCH	1
94	16-80-25-34-15	THROTTLE LEVER	1
95	16-81-S-04-000E-L1055-1205	THROTTLE CABLE	1

RAM70B



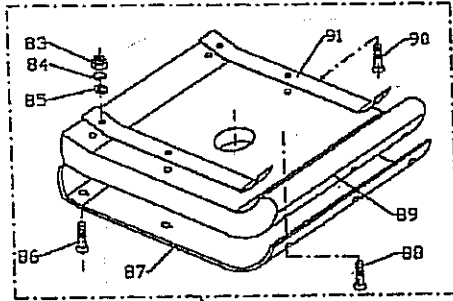
RAM70B-HEAD

RAM70B.



RAM70B-CYLINDER ASSEMBLAGE 2/3

RAM70B



RAM70B-SHOE

RAM70B-HANDLE

