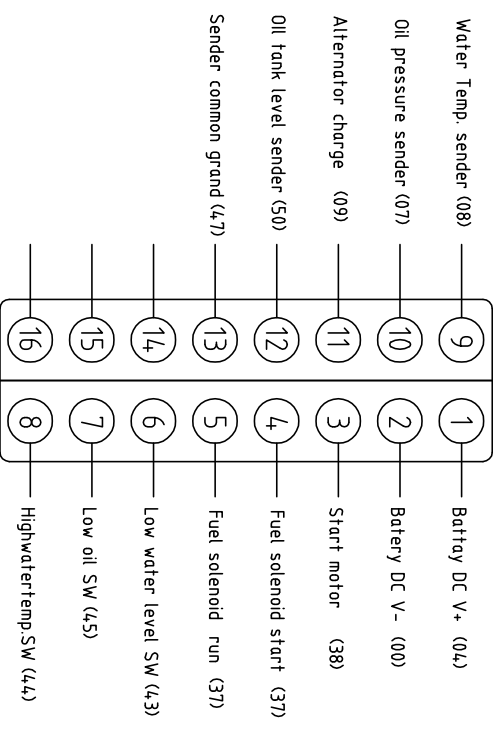
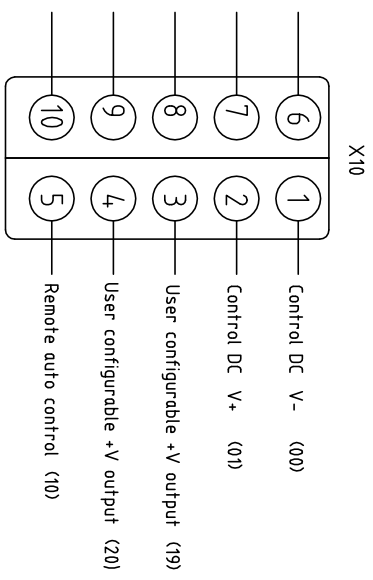


the terminal wiring diagram



PLC-5110 10PIN Plug connections wiring diagram



TITLE
The connecting diagram of PLC-5110
controller for diesel Gen-set

| | | | |
|--------------------------|---------------------|-----------|---------|
| CONTROLLER: | DEEP SEA CONTROLLER | JOB NO: | 386806 |
| CONTROLLER MODEL: | DSE 5110 | JOB REF: | |
| MODULE DIMENSIONS: | | CUSTOMER: | |
| PANEL CUTOFF DIMENSIONS: | | DRG. NO. | C361015 |
| SUPPLY SOURCE: | | PAGE | 2 OF 2 |



ISO 9001 :2000
REGISTERED FIRM