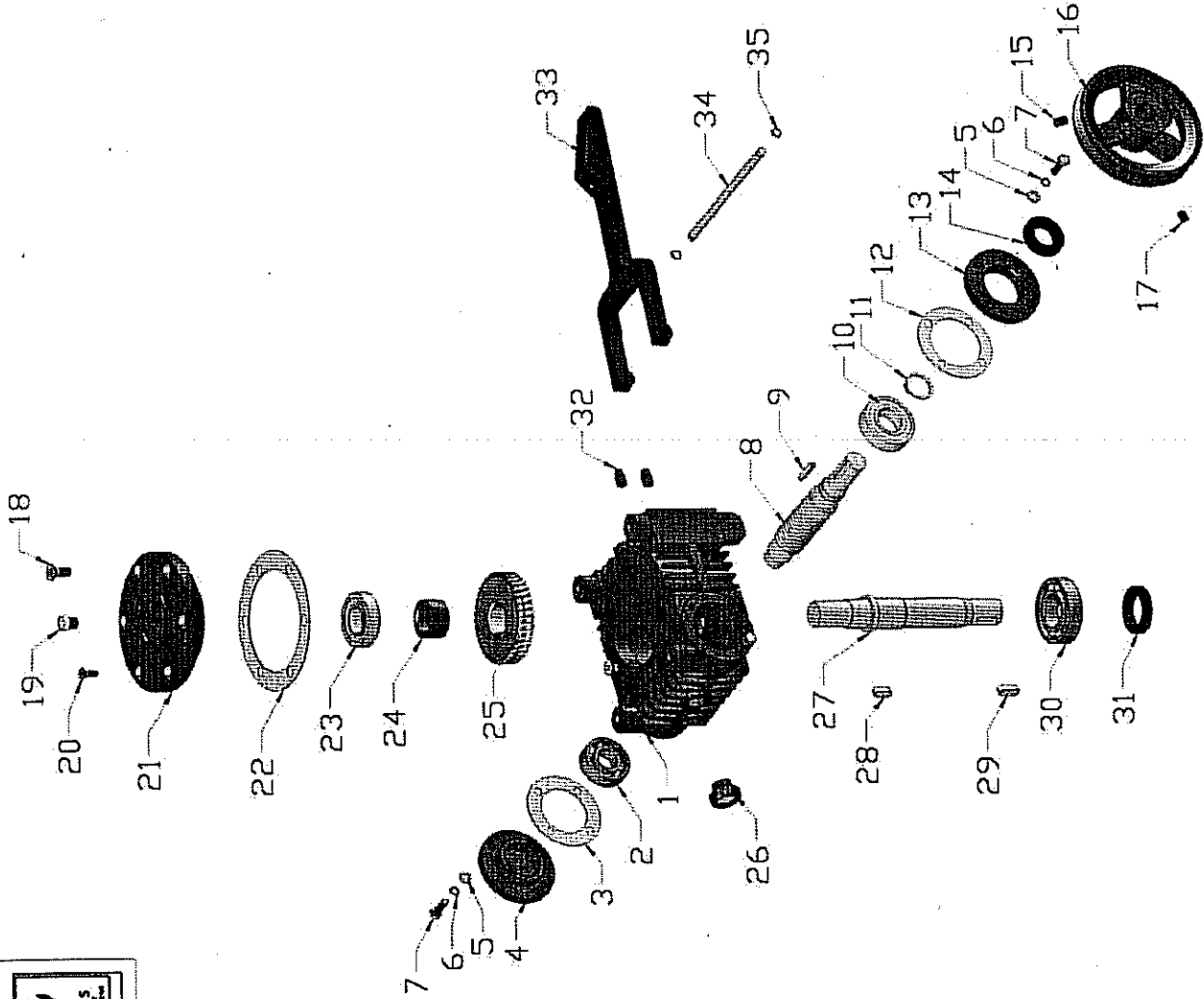


Drawn	L. C	Model	TOL60G	Drawing No.	TOL60G-01
Checked		Description	SPIDER ASSY		
Approved		Date	2008.02.11		

# TOL60G-01 SPIDER ASSY

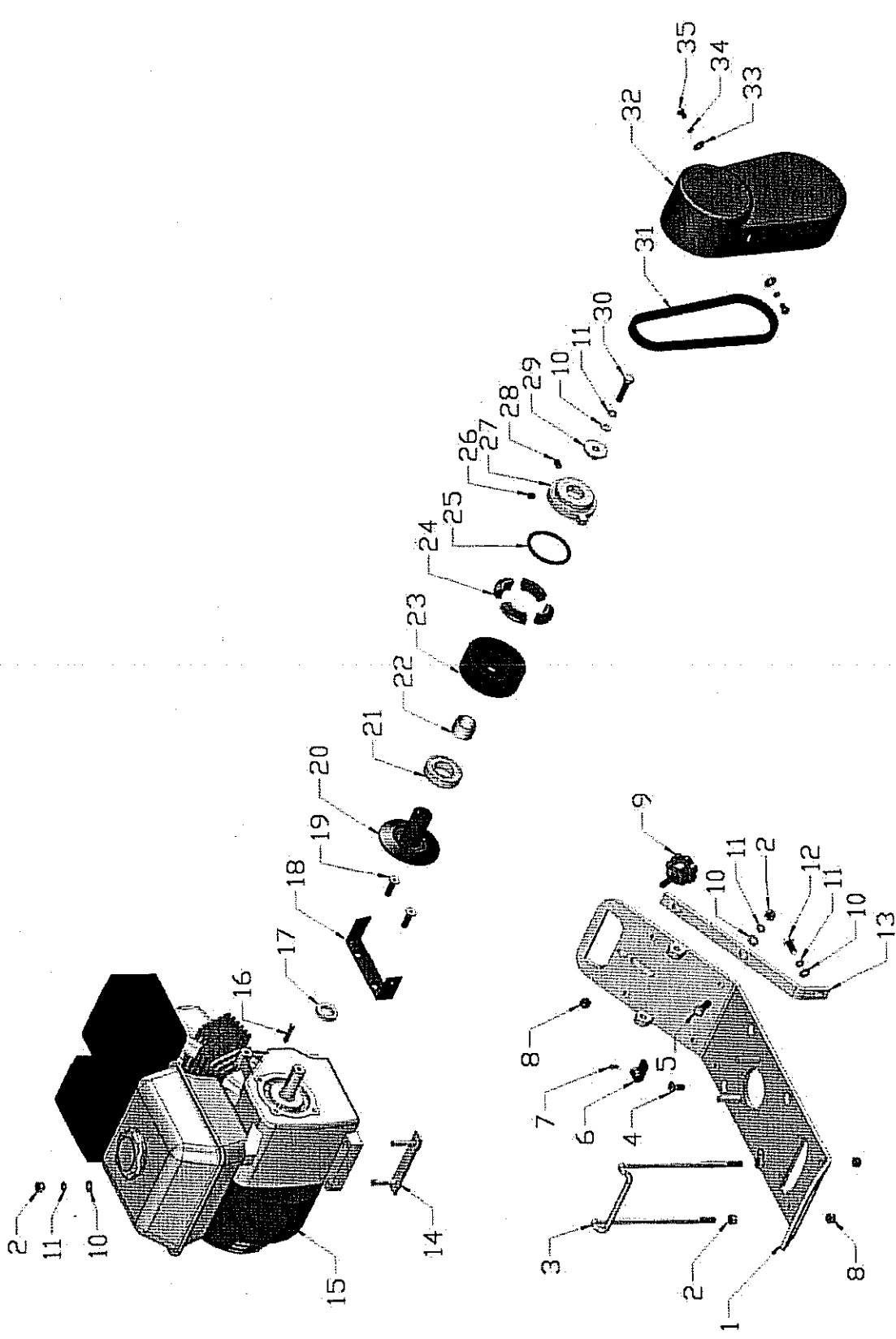
NO. 序号	PART NO. 图号	PART DESCRIPTION 品名	QTY 数量
01-1	TOL606-050301	SPIDER (十字连接器)	1
01-2	TOL606-FNL.N-M8	THIN NUT (薄螺母)	12
01-3	TOL606-FHSS.S-M8x20	SOCKET SCREW WITH FLAT HEAD (内六角平端紧钉螺钉)	4
01-4	TOL606-CHSN.B-M8x25	BOLT (半圆头方颈螺栓)	4
01-5	TOL606-GB79-85-M8x20	SOCKET SCREW WITH CYLINDRICAL HEAD(内六角圆柱端紧钉螺钉)	4
01-6	TOL606-W03-DH-20	OIL SEAL (油封)	4
01-7	TOL606-050401	TILT ARM (连接头)	4
01-8	TOL606-050100	BLADE (刀片)	4
01-9	TOL606-050501	SPIDER ARM (六角棒)	4
01-10	TOL606-HS.B-M8x20	SCREW (内六角螺钉)	4
01-11	TOL606-FN.W6	WASHER (平垫)	8
01-12	TOL606-SPG.W6	SPRING WASHER (弹垫)	8
01-13	TOL606-FN.B-M6x40-8.8	BOLT (六角螺栓)	8
01-14	TOL606-040303	TILT PLATE (台阶圈)	1
01-15	TOL606-040802	RUBBER RING (橡胶圈)	1
01-16	TOL606-040801	GUARD PLATE (护盘)	1
01-17	TOL606-W01-6808V-J	BEARING (轴承)	1
01-18	TOL606-W01-NKI 40/20-J	BEARING (轴承)	1
01-19	TOL606-CH.RG55	INTERNAL CIRCLIP (孔用弹性挡圈)	1
01-20	TOL606-SS.RG40	EXTERNAL CIRCLIP (轴用钢丝挡圈)	1
01-21	TOL606-W01-51107-J	BEARING (轴承)	1
01-22	TOL606-040302	BEARING COVER (轴承盖)	1
01-23	TOL606-050701	END CAP (端盖)	1
01-24	TOL606-CETL.W8	COUNTERSUNK EXTERNAL TOOTHED LOCK WASHER(锥形锁紧垫圈)	1
01-25	TOL606-HSF.S-M8x25	SOCKET COUNTERSUNK HEAD SCREW (内六角沉头螺钉)	1
01-26	TOL606-050601	GUARD RING (护圈)	1
01-27	TOL606-040803	ROUND PAN (抹盘)	1



Drawn	L. C	Model	TOL60G	Drawing No.	TOL60G-02
Checked		Description	GEARBOX ASSY		
Approved		Date	2009.7.7.		

# TOL60G-02 GEARBOX ASSY

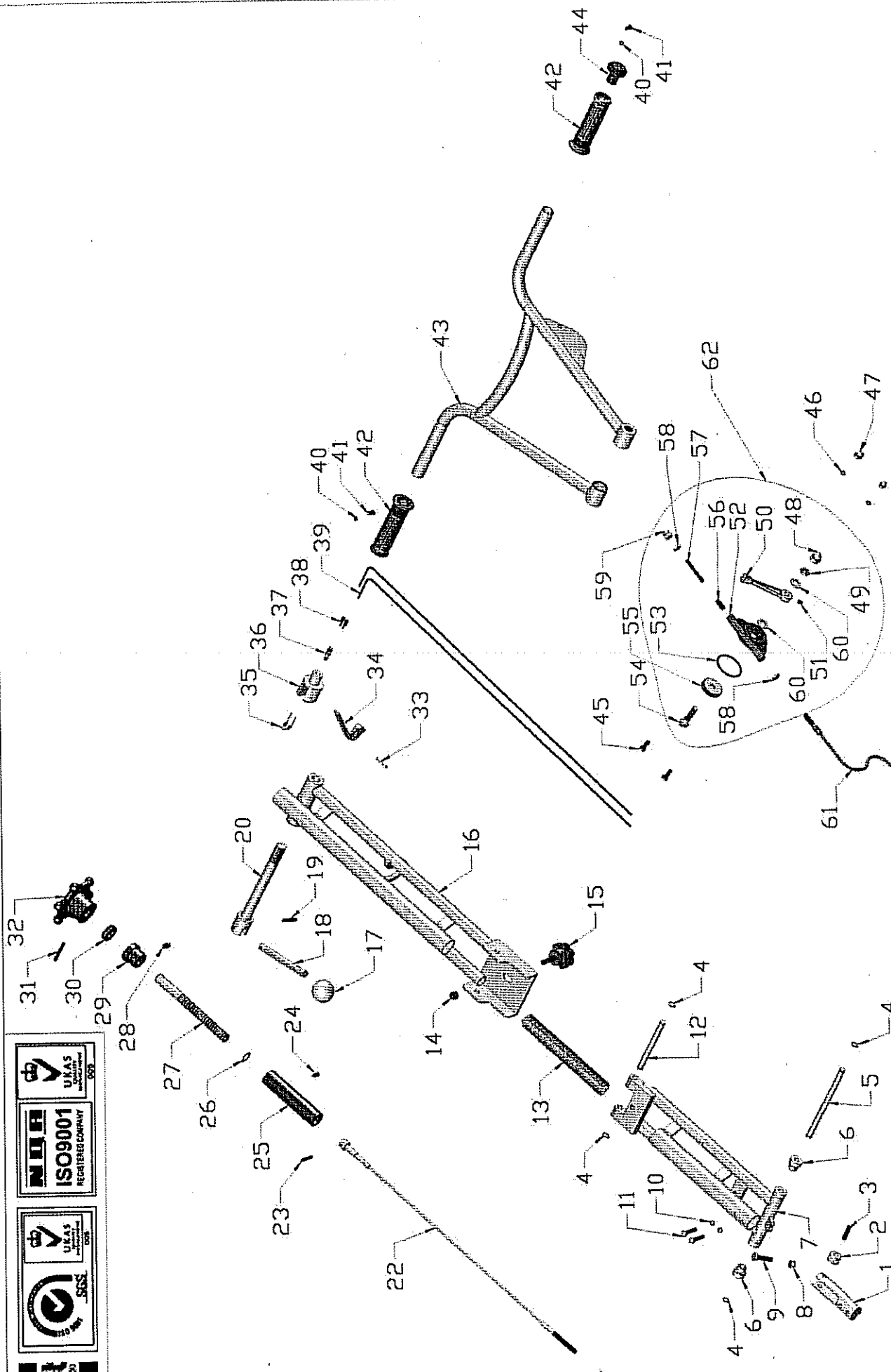
NO. 序号	PART NO. 图号	PART DESCRIPTION 品名	QTY 数量
02-1	TOL606-040101	WORM GEAR BOX (蜗轮箱)	1
02-2	TOL606-W01-6204-J	BEARING (轴承)	1
02-3	TOL606-040106	SEAL, CLOSE COVER (闷盖纸垫片)	1
02-4	TOL606-040103	CLOSE COVER (闷盖)	1
02-5	TOL606-FN.W6	WASHER (平垫)	8
02-6	TOL606-SPG.W6	SPRING WASHER (弹垫)	8
02-7	TOL606-FN.B-M6x20-8.8	BOLT (六角螺栓)	8
02-8	TOL606-040203	WORM (蜗杆)	1
02-9	TOL606-Key.A-5x5x30	KEY (平键)	1
02-10	TOL606-W01-6205Z-J	BEARING (轴承)	1
02-11	TOL606-CS.RG25	EXTERNAL CIRCLIP (轴用挡圈)	1
02-12	TOL606-040107	SEAL, SIDE COVER (透盖纸垫片)	1
02-13	TOL606-040104	SIDE COVER (透盖)	1
02-14	TOL606-W03-40x22x7	OIL SEAL (油封)	1
02-15	TOL606-FHSS.S-M8x12	GRUB SCREW (内六角平端紧定螺钉)	1
02-16	TOL606-70G-040314	PULLEY (皮带轮)	1
02-17	TOL606-ConeHSS.S-M8x12	SOCKET HEAD SCREW (内六角锥端紧定螺钉)	1
02-18	TOL606-HSF.S-M8x20	SOCKET COUNTERSUNK HEAD SCREW (内六角沉头螺钉)	5
02-19	TOL606-040108	VENT SCREW (螺纹通气螺丝)	1
02-20	TOL606-HSF.S-M8x16	SOCKET COUNTERSUNK HEAD SCREW (内六角沉头螺钉)	1
02-21	TOL606-040102	TOP COVER (蜗轮箱顶盖)	1
02-22	TOL606-040105	SEAL, TOP COVER (纸垫片)	1
02-23	TOL606-W01-30205-J	BEARING (轴承)	1
02-24	TOL606-040204	BUSH (套)	1
02-25	TOL606-100G-040201	WORM GEAR (蜗轮)	1
02-26	TOL606-100GB-041000	OIL GAUGE (油标)	1
02-27	TOL606-040202	WORM GEAR SHAFT (蜗轮轴)	1
02-28	TOL606-Key.A-8x7x18	KEY (平键)	1
02-29	TOL606-Key.A-8x7x22	KEY (平键)	1
02-30	TOL606-W01-6206Z-J	BEARING (轴承)	1
02-31	TOL606-W03-45x30x8	OIL SEAL (油封)	1
02-32	TOL606-100GB-040111	STOPPER (堵头)	2
02-33	TOL606-040304	TILT YOKE (拨叉)	1
02-34	TOL606-040301	PIN (销)	1
02-35	TOL606-CS.RG8	EXTERNAL CIRCLIP (轴用挡圈)	2



Drawn	L. C	Model	TOL60G	Drawing No.	TOL60G-03
Checked		Description	ENGINE BASE & CLUTCH ASSY		
Approved		Date	2009. 7. 7.		

# TOL60G-03 ENGINE BASE AND CLUTCH ASSY

NO. 序号	PART NO. 图号	PART DESCRIPTION 品名	QTY 数量
03-1	TOL606-010000C	ENGINE BASE (底板焊接)	1
03-2	TOL606-FN.N-M8	NUT (螺母)	10
03-3	TOL606-010201	HOOK (挂钩)	1
03-4	TOL606-HSF.S-M8x20	SOCKET COUNTERSUNK HEAD SCREW (内六角沉头螺钉)	4
03-5	TOL606-FN.B-M8x25-8.8	BOLT (六角螺栓)	4
03-6	TOL606-3-7040	CLIP (固线夹)	2
03-7	TOL606-PAN.S-M4x10	PAN HEAD SCREW (十字盘头槽螺钉)	2
03-8	TOL606-IN.N-M8	CHECK NUT (防松螺母)	3
03-9	TOL606-StarH-M8x35	STAR GRIP KNOB (五角星形把手)	1
03-10	TOL606-FN.W8	WASHER (平垫)	11
03-11	TOL606-SPG.W8	SPRING WASHER (弹垫)	11
03-12	TOL606-FN.B-M8x20-8.8	BOLT (六角螺栓)	2
03-13	TOL606-010501	BRACKET (支架)	2
03-14	TOL606-100G-030400	BOLT (螺栓组)	1
03-15	TOL606-W05-GX160H1-SX	ENGINE (引擎)	1
03-16	TOL606-Key.B-5x5x30	KEY (平键)	1
03-17	TOL606-80-0317	BUSH (垫圈)	1
03-18	TOL606-040702	BRACKET (撑脚)	1
03-19	TOL606-HSF.S-M8x30	SOCKET COUNTERSUNK HEAD SCREW (内六角沉头螺钉)	2
03-20	TOL606-100G-070100	SHAFT (轴)	1
03-21	TOL606-W01-6006ZZ-J	BEARING (轴承)	1
03-22	TOL606-100G-070500	BUSH (衬套)	1
03-23	TOL606-100G-070200	CLUTCH DRUM (离合器盖)	1
03-24	TOL606-100G-070400	CLUTCH BLOCK (离心块)	4
03-25	TOL606-100G-070109	SPRING (弹簧)	1
03-26	TOL606-ConeHSS.S-M8x12	SOCKET HEAD SCREW (内六角锥端紧定螺钉)	1
03-27	TOL606-100G-070300	CLUTCH PLATE (离合器底座)	1
03-28	TOL606-FHSS.S-M8x12	GRUB SCREW (内六角平端紧定螺钉)	1
03-29	TOL606-100GB-070108	WASHER (挡圈)	1
03-30	TOL606-FN.B-M8x40-8.8	BOLT (六角螺栓)	1
03-31	TOL606-W02-A231/2	V-BELT (V型皮带)	1
03-32	TOL606-040701	BELT COVER (皮带罩)	1
03-33	TOL606-WOD.W6	WASHER (大垫圈)	2
03-34	TOL606-SPG.W6	SPRING WASHER (弹垫)	2
03-35	TOL606-FN.B-M6x10-8.8	BOLT (六角螺栓)	2



Drawing No.	TOL60G-04	
Model	TOL60G	
Checked	Description	OPERATION HANDLE ASSY
Approved	Date	2009.7.7.

# TOL60G-04 HANDLE ASSY

NO. 序号	PART NO. 图号	PART DESCRIPTION 品名	QTY 数量
04-1	TOL606-000601	WHEEL BRACKET(滑轮支架)Ⅱ	1
04-2	TOL606-000501	WHEEL(滑轮)	1
04-3	TOL606-SC.PIN-8x28	PIN-SPRING (弹性圆柱销)	1
04-4	TOL606-CS.RG10	EXTERNAL CIRCLIP (轴用挡圈)	4
04-5	TOL606-020801	PIN (销)	1
04-6	TOL606-020401	BUSH (轴套)	2
04-7	TOL606-020100	HANDLE BOTTOM (下支撑杆焊接) Ⅱ	1
04-8	TOL606-FN.N-M8	NUT (螺母)	1
04-9	TOL606-FN.B-M8x30-8.8	BOLT (六角螺栓)	1
04-10	TOL606-SPG.W6	SPRING WASHER (弹垫)	2
04-11	TOL606-FN.B-M6x30-8.8	BOLT (六角螺栓)	2
04-12	TOL606-021301	PIN (销)	1
04-13	TOL606-000006	SPRING (弹簧) Ⅱ	1
04-14	TOL606-IN.N-M8	CHECK NUT (防松螺母)	1
04-15	TOL606-StarH-M8x35	STAR GRIP KNOB (五角星形把手)	1
04-16	TOL606-020200	HANDLE TOP (上支撑杆焊接)	1
04-17	TOL606-SH-M12x40	GRIP BALL (手柄球)	1
04-18	TOL606-947-99947	HANDLE STICK(手柄杆)	1
04-19	TOL606-SC.PIN-6x30	PIN-SPRING (弹性圆柱销)	1
04-20	TOL606-030501	SCREWD-TOMMY BAR (锁紧螺杆)	1
04-21	TOL606-FN.N-M6	NUT (螺母)	2
04-22	TOL606-000010	DEPTH CONTROL CABLE ASSY(刮板调节钢丝总成)	1
04-23	TOL606-SC.PIN-5x28	PIN-SPRING (弹性圆柱销)	1
04-24	TOL606-HS.B-M5x8	SCREW (内六角螺钉)	1
04-25	TOL606-000301	SLIDE BUSH(钢丝绳调节活塞)	1
04-26	TOL606-CS.RG16	EXTERNAL CIRCLIP (轴用挡圈)	1
04-27	TOL606-100G-010003	ADJUSTING SCREW (调节螺杆)	1
04-28	TOL606-HS.B-M6x8	SCREW (内六角螺钉)	1
04-29	TOL606-000701	BEARING COVER(调整盖)	1
04-30	TOL606-W01-51103-J	BEARING (轴承)	1
04-31	TOL606-SC.PIN-5x40	PIN-SPRING (弹性圆柱销)	1
04-32	TOL606-100G-010008	PITCH CONTROL KNOB(钢丝绳调节把手)	1
04-33	TOL606-ST.PIN-4x26	PIN-DOWEL (圆柱销)	1
04-34	TOL606-031001	SWITCH HANDLE (开关把手)	1
04-35	TOL606-031101	SPRING (扭簧)	1
04-36	TOL606-030901	SWITCH LID (开关端盖)	1
04-37	TOL606-000007	SWITCH (触点开关)	1
04-38	TOL606-000008	WIRE TERMINAL (接线端子)	2
04-39	TOL606-000009	WIRE (电线)	2
04-40	TOL606-SPG.W5	SPRING WASHER (弹垫)	1
04-41	TOL606-PAN.S-M5x12	PAN HEAD SCREW (十字盘头槽螺钉)	1
04-42	TOL606-030801	HANDLE GRIP (手柄套)	2



04-45	CPT60III-FN.B-M6x20-8.8	BOLT (六角螺栓)	2
04-46	CPT60III-SPG.W6	SPRING WASHER (弹垫)	2
04-47	CPT60III-HC.N-M6	CAP NUT (盖形螺母)	2
04-48	CPT60III-HC.N-M10	CAP NUT (盖形螺母)	1
04-49	CPT60III-FNL.N-M10	THIN NUT (薄螺母)	1
04-50	CPT60III-70ND-060000	THROTTLE LEVER (油门开关把手)	1
04-51	CPT60III-FHSS.S-M6x8	SOCKET SCREW WITH FLAT HEAD(内六角平端紧定螺钉)	1
04-52	CPT60III-70ND-060001	THROTTLE BODY (油门把手盖)	1
04-53	CPT60III-W04-45x3	O-RING (O形圈)	1
04-54	CPT60III-70ND-060003	BOLT (油门螺栓)	1
04-55	CPT60III-70ND-060002	THROTTLE GEAR (齿轮)	1
04-56	CPT60III-FHSS.S-M8x20	SOCKET SCREW WITH FLAT HEAD(内六角平端紧定螺钉)	1
04-57	CPT60III-70ND-060004	SLIDER (齿条)	1
04-58	CPT60III-FNL.N-M8	THIN NUT (薄螺母)	2
04-59	CPT60III-HC.N-M8	CAP NUT (盖形螺母)	1
04-60	CPT60III-FN.W10	WASHER (平垫)	2
04-61	CPT60III-W06-S04-L1420x1620	THROTTLE CABLE (油门线)	1
04-62	CPT60III-70ND-010018	THROTTLE LEVER ASSY (油门开关总成)	1